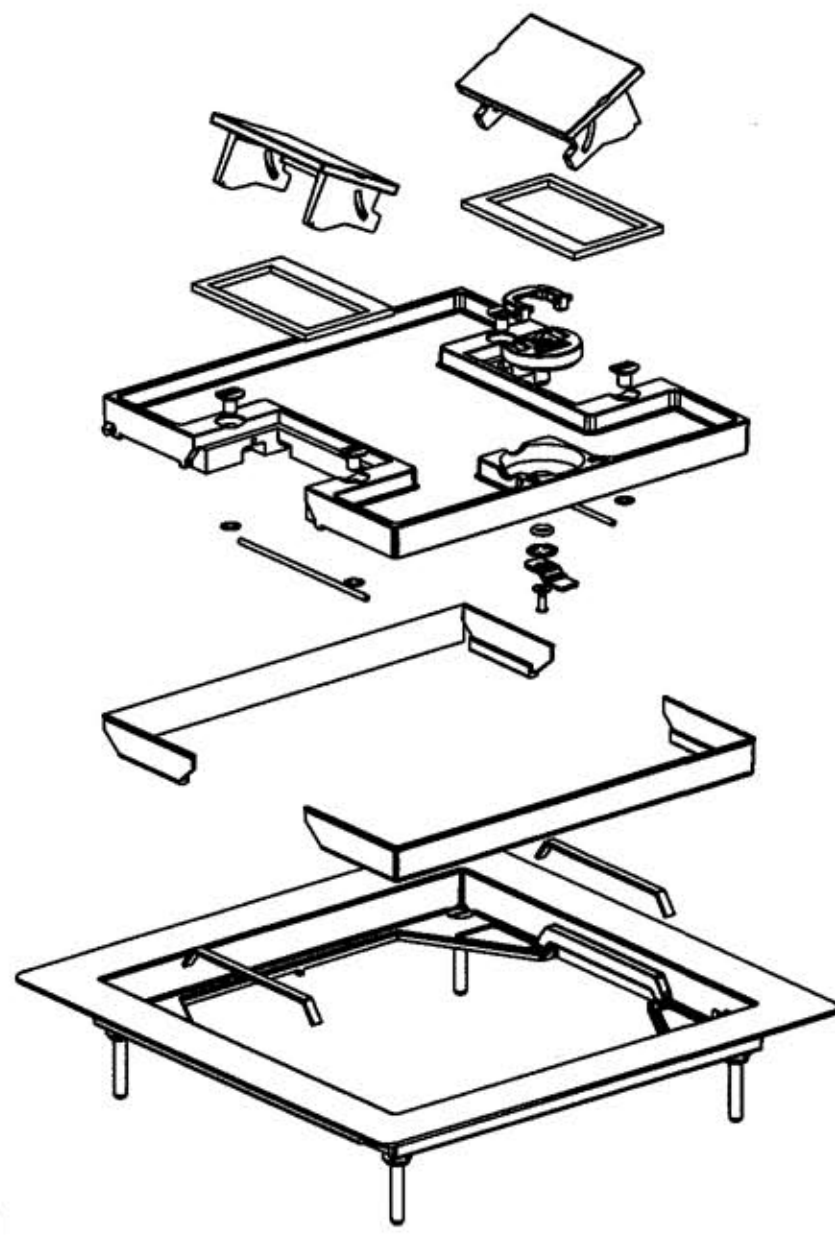
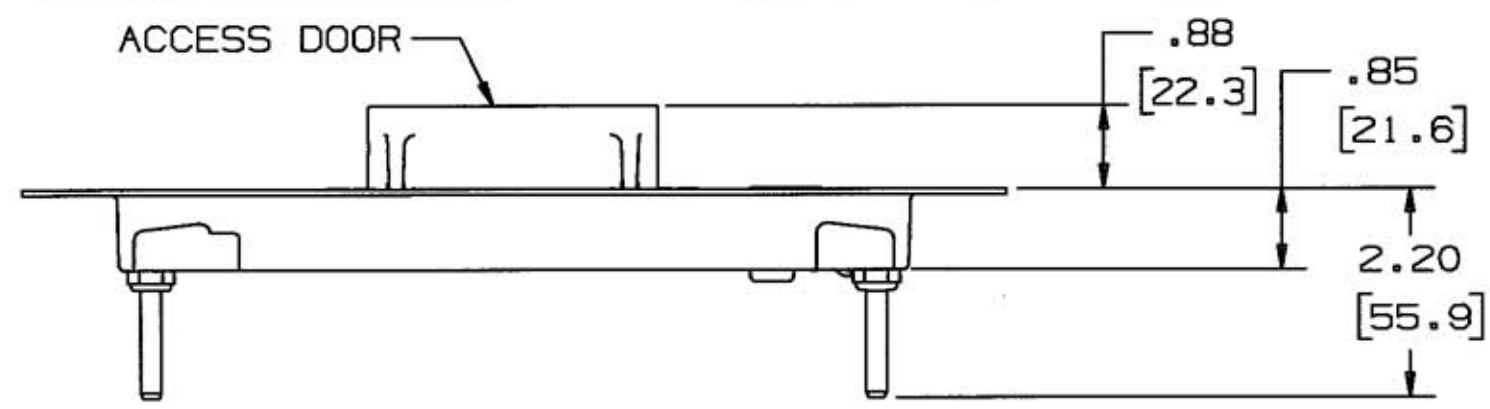
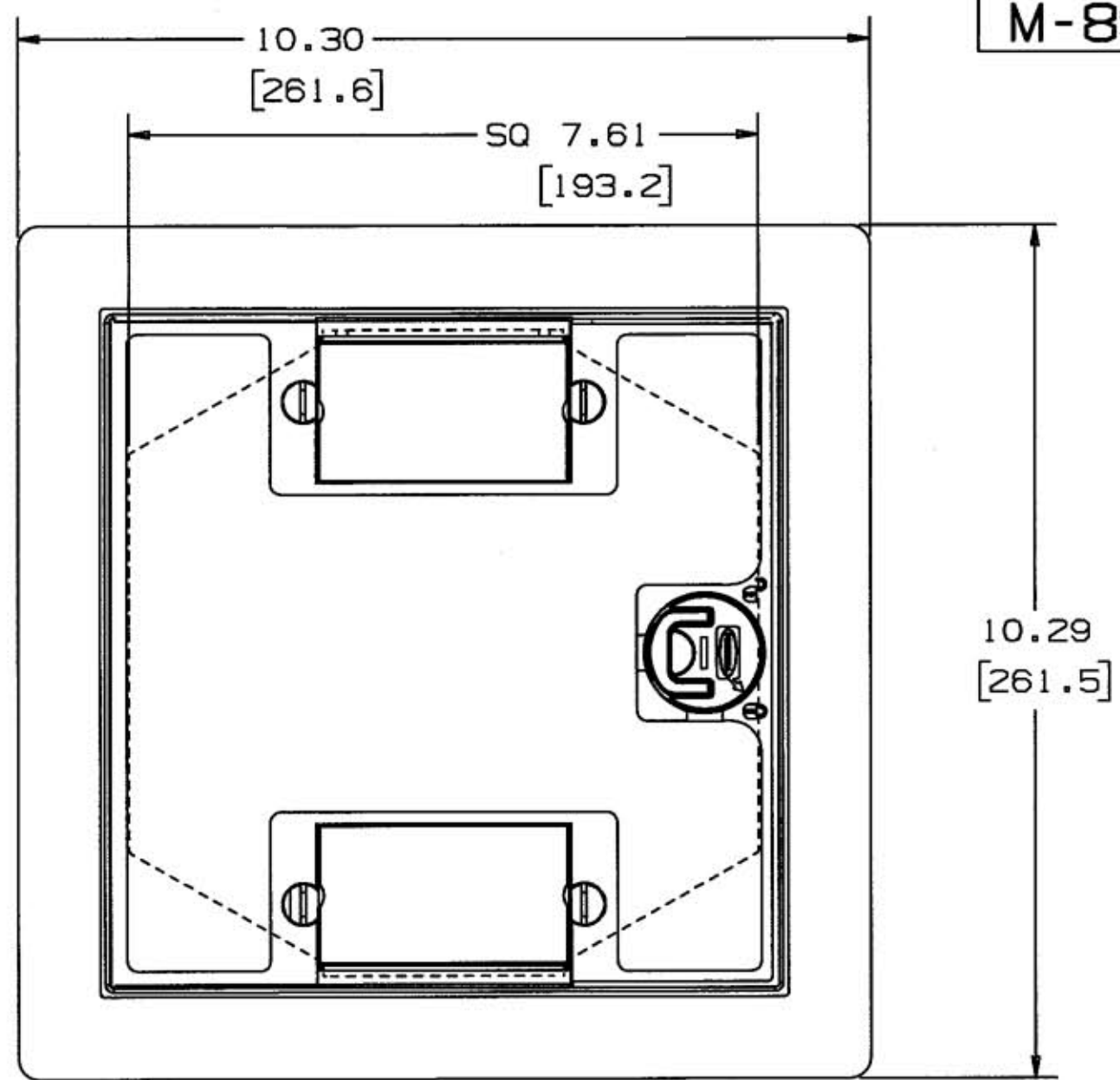


M-8944 3

CATALOG NUMBER	COLOR
LCFBCBRSC	BRASS FINISH
LCFBCALC	ALUMINUM FINISH
LCFBCGYC	GREY
LCFBCBKC	BLACK

LIST OF PARTS		
DESCRIPTION	MATERIAL	FINISH
MAIN COVER	ALUMINUM	POWDER COAT
CABLE DOOR	ALUMINUM	POWDER COAT
HINGE PIN	STAIN. STEEL	
CABLE DOOR GASKET	FOAM	
LOCKING STUD	ALUMINUM	POWDER COAT
RETAINING RING	STAIN. STEEL	
HINGE SIDE GASKET	FOAM	
SHORT SIDE GASKET	NEOPRENE	
FRONT GASKET	NEOPRENE	
KNOB	ALUMINUM	POWDER COAT
PULL RING	ALUMINUM	POWDER COAT
O-RING	NEOPRENE	
RETAINING RING	STAIN. STEEL	
PAWL LATCH	STEEL	ZINC
WASHER	STAIN. STEEL	
CARPET FLANGE	ALUMINUM	POWDER COAT
JACKING SCREW	STEEL	ZINC
LOCKING NUT	STEEL	ZINC



ISOMETRIC VIEW
NO SCALE

NOTES: INCHES (MM)

SYM	REVISIONS	APP	DATE
3	ADDED VIEW FOR OPENING OF FLANGE; ADDED FINISH TO PARTS LIST; ADDED .88 & 7.8 DIMS; ADDED ACCESS DOOR CALLOUT PER DCN 11902 RCM	JPP	1-12-05
2	LCFBCALC WAS BRUSHED ALUMINUM PER DCN. 11458 TJV	TLS	1-23-04
1	INITIAL RELEASE DCN.10067	TLS	8-9-02

THE DESIGN AND DIMENSIONS OF THE PRODUCT SHOWN ON THIS DRAWING ARE SUBJECT TO CHANGE WITHOUT NOTICE

TITLE
CUSTOMER DRAWING
CARPET FLANGE & COVER ASSEMBLY

TOLERANCES UNLESS OTHERWISE SPECIFIED FRACTIONS ± 1/64 DECIMALS ± .005 ANGLES ± 2°	WIRING DEVICE-KELLEMS HUBBELL INCORPORATED BRIDGEPORT, CT	
	DR. BY TJV	APP. BY TLS
	TR. BY	SCALE 1:2
	CHK'D BY TLS	DATE 8-9-02

DIMENSION SHEET FOR CAT. NO. M-8944
 SEE TABLE
 REPAIRABLE NON-REPAIRABLE
 B
 M-8944
 3