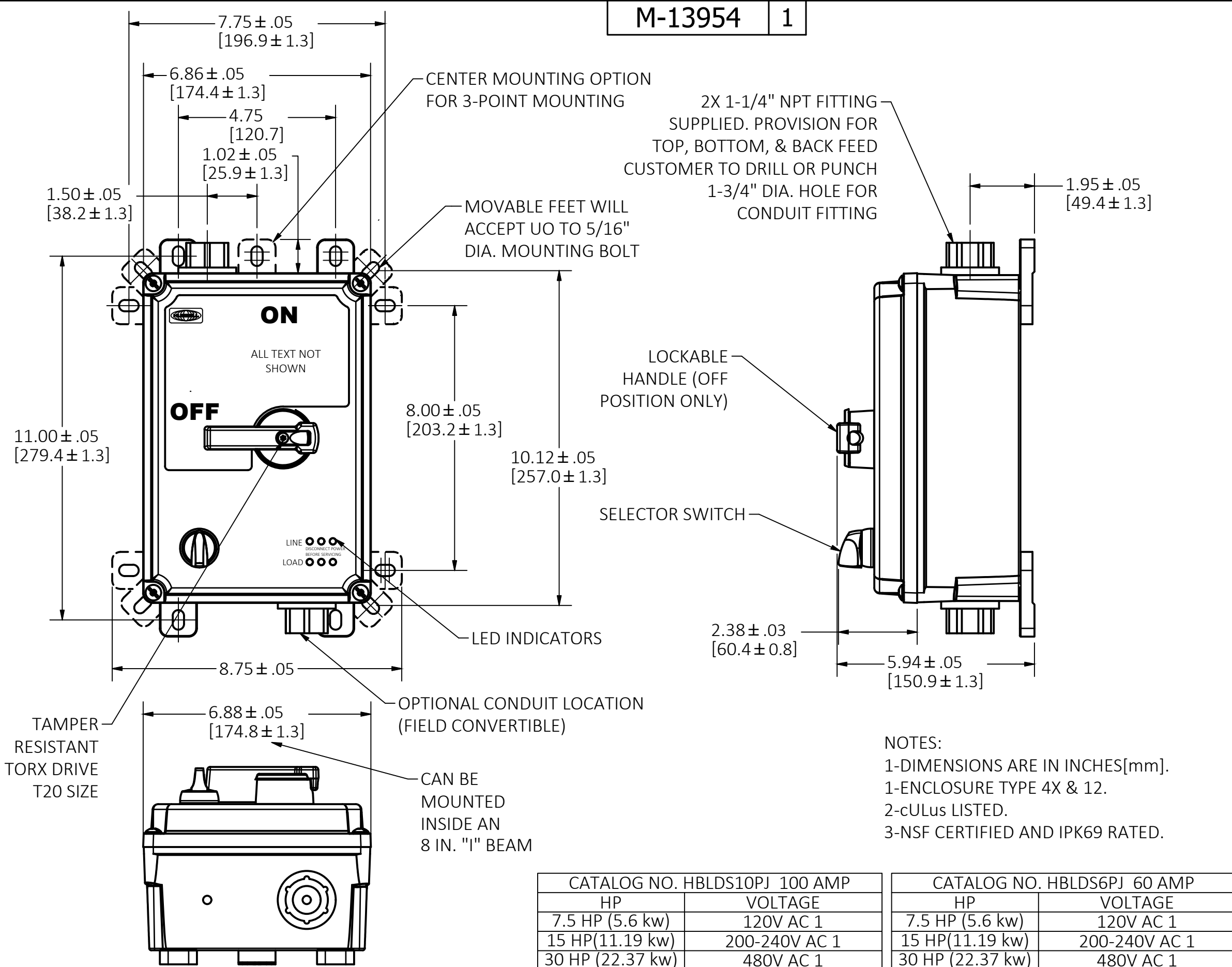


M-13954

1

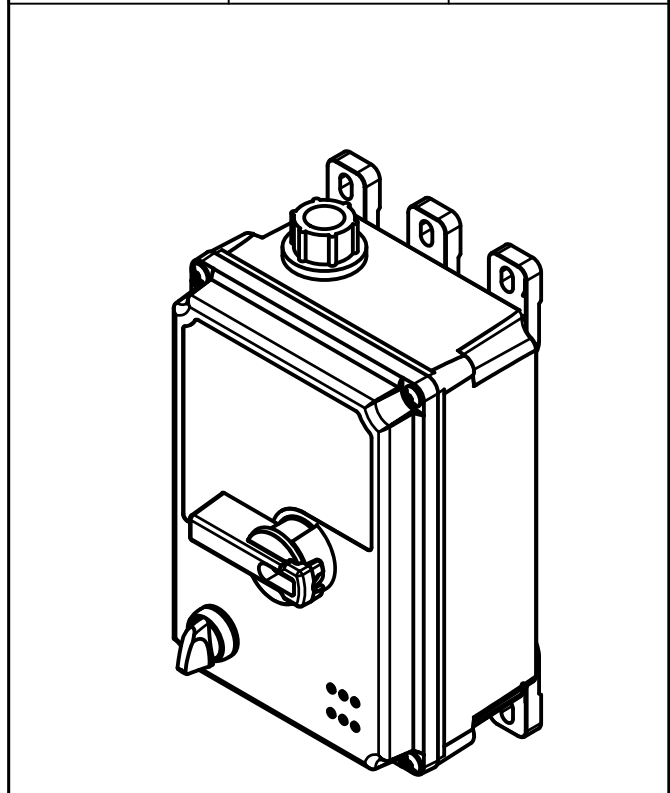


CATALOG NO. HBLDS10PJ 100 AMP	
HP	VOLTAGE
7.5 HP (5.6 kw)	120V AC 1
15 HP (11.19 kw)	200-240V AC 1
30 HP (22.37 kw)	480V AC 1
30 HP (22.37 kw)	200-240V AC 3
50 HP (37.28 kw)	480V AC 3
50 HP (37.28 kw)	600V AC 3

CATALOG NO. HBLDS6PJ 60 AMP	
HP	VOLTAGE
7.5 HP (5.6 kw)	120V AC 1
15 HP (11.19 kw)	200-240V AC 1
30 HP (22.37 kw)	480V AC 1
30 HP (22.37 kw)	200-240V AC 3
50 HP (37.28 kw)	480V AC 3
50 HP (37.28 kw)	600V AC 3

NOTES:  
 1-DIMENSIONS ARE IN INCHES[mm].  
 1-ENCLOSURE TYPE 4X & 12.  
 2-cULus LISTED.  
 3-NSF CERTIFIED AND IPK69 RATED.

LIST OF PARTS		
DESCRIPTION	MATERIAL	FINISH
ALL EXTERNAL PLASTIC PARTS	UV STABILIZED POLYESTER BLEND	
ALL EXTERNAL SCREWS	STAINLESS STEEL	
THREADED HUB	DIE CAST	
INSULATED THROAT	ZINC	
GREEN LEDS		
JOG SW.	PLASTIC	

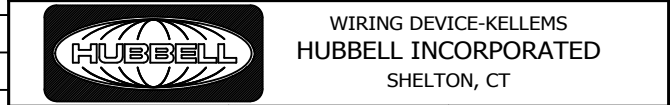


CATALOG NO. HBLDS6PJ NOT SHOWN TO SCALE

1	RELEASED PER DCN 24232	CAC	8/8/18
REV	DESCRIPTION	APP	DATE

THE DESIGN AND DIMENSIONS OF THE PRODUCT SHOWN ON THIS DRAWING ARE SUBJECT TO CHANGE WITHOUT NOTICE. DIMENSIONS ARE IN INCHES [mm].

TITLE  
 60A/100A CIRCUIT LOCK DISCONNECT SWITCH W/LED/JOG SWITCH



TOLERANCES UNLESS OTHERWISE SPECIFIED .XX = ±.01 .XXX = ±.005 ANGLE TOL. ±2'	DR. BY CAC	SCALE 1/3
	CHK. BY CAC	DATE 07/16/18