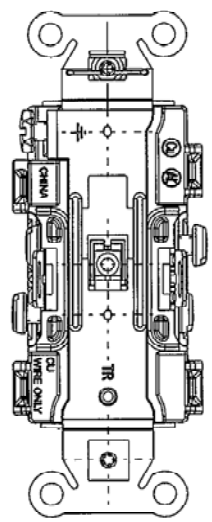
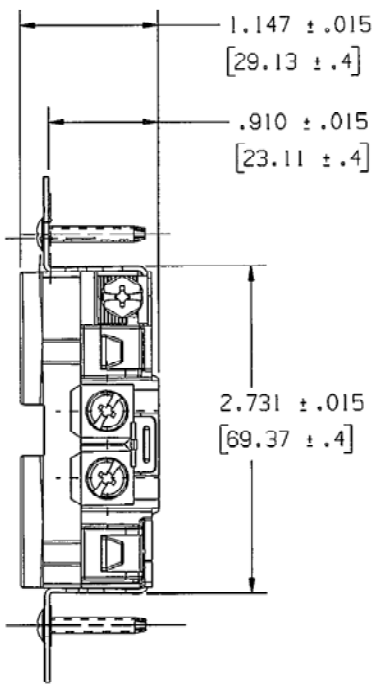
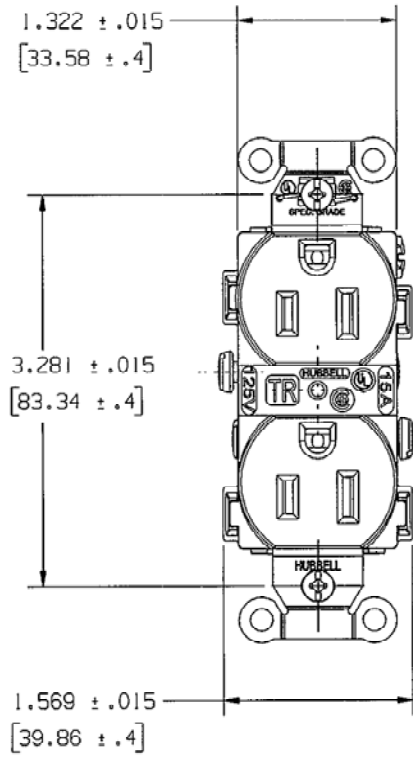


M-10512 2



NOTES:
 1) DIMENSIONS ARE IN INCHES (MM).
 2) ALL DEVICES UL LISTED AND CSA CERTIFIED.
 3) TERMINALS ACCOMMODATE #14-#10 AWG COPPER WIRE ONLY.

CATALOG NUMBERS											
	BROWN	IVORY	GRAY	WHITE	BLACK	ALMOND	BLUE	LIGHT ALMOND	RED	ORANGE	OFFICE WHITE
HUBBELL	CR15TR	CR15TR	CR15GRYTR	CR15WH1TR	CR15BLKTR	CR15ALTR	CR15BLTR	CR15LATR	CR15RTR	-----	-----

LIST OF PARTS		
DESCRIPTION	MATERIAL	FINISH
TOP	NYLON 6/6	SP1 A-3
BASE	NYLON 6/6	SP1 A-3
LINE CONTACTS	BRASS	
GROUND CONTACTS	BRASS	
CONTACT SCREW (NEU)	STEEL	NI PLT
CONTACT SCREW (HOT)	STEEL	
BRIDGE	.04 GALV STU	
GROUND SCREW	STEEL	GREEN
STAPLE	S.S.	
WASHER	PVC FILM	BLACK
MOUNTING SCREW	STEEL	ZINC PLT

SYM	REVISIONS	APP	DATE
2	ADDED CAT NOS, CR15BLTR & CR15RTR TO TABLE. PER DCN 19206 DDL	DJP	11/16/12
1	RELEASED PER DCN# 14341 WRV		12/21/07

THE DESIGN AND DIMENSIONS OF THE PRODUCT SHOWN ON THIS DRAWING ARE SUBJECT TO CHANGE WITHOUT NOTICE

TITLE
 HUBBELL
 15A 125V, 2P 3W, TAMPER RESISTANT
 SMOOTH FACE DUPLEX RECEPT.
 SIDE WIRE ONLY

TOLERANCES UNLESS OTHERWISE SPECIFIED
 .XX : ± .01
 .XXX : ± .005
 ANGLES : ± 2°

WIRING DEVICE-KELLEMS
 HUBBELL INCORPORATED
 SHELTON, CT

DR. BY WRV	APP. BY
TR. BY	SCALE 1:1
CHK. BY	DATE 3/07

DIMENSION SHEET FOR CAT. NO. M-10512
 REPAIRABLE NON-REPAIRABLE B
 M-10512
 2