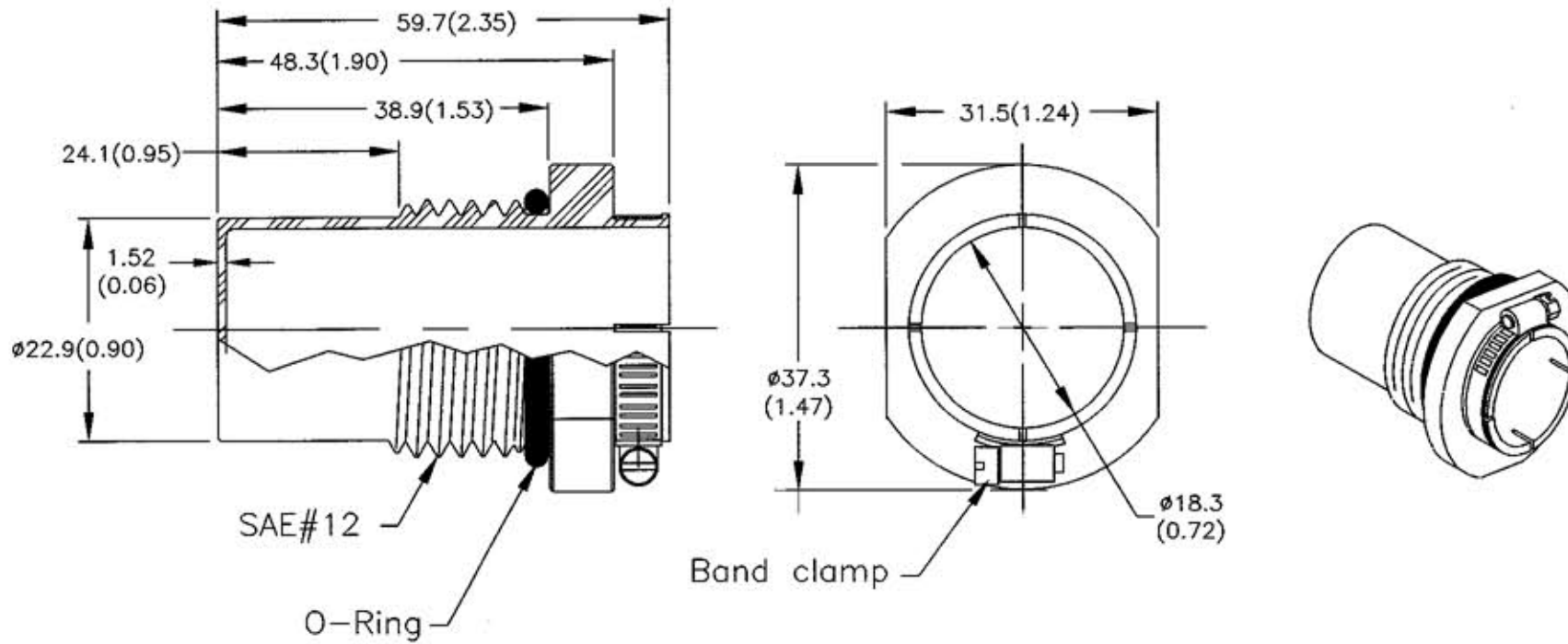


# M-8776 1



## LIST OF PARTS

DESCRIPTION	MATERIAL	FINISH
SENSOR WELL	DELRIN	
BAND CLAMP	STAINLESS STEEL	
O RING	BUNA NEOPREAN	

DIMENSION SHEET FOR CAT. NO. MWSAESB18D  
 REPAIRABLE  NON-REPAIRABLE

1	5/1/02 "X" REMOVED; LAST "X" REVISION WAS X-0. RELEASED FOR PRODUCTION PER DCN #9320. GDR MJL	<i>MJL</i>	5/23/02
SYM	REVISIONS	APP	DATE

THE DESIGN AND DIMENSIONS OF THE PRODUCT SHOWN ON THIS DRAWING ARE SUBJECT TO CHANGE WITHOUT NOTICE

TITLE  
**SENSOR WELL, SAE TYPE**

TOLERANCES UNLESS OTHERWISE SPECIFIED FRACTIONS $\pm 1/64$ DECIMALS $\pm 0.05$ ANGLES $\pm 2'$	WIRING DEVICE-KELLEMS HUBBELL INCORPORATED BRIDGEPORT, CT	
	DR. BY GDR	APP. BY <i>MJL</i>
	TR. BY	SCALE NONE
	CHK'D BY	DATE 5/1/02

UNLESS OTHERWISE SPECIFIED DIMENSIONS ARE IN mm (INCHES)