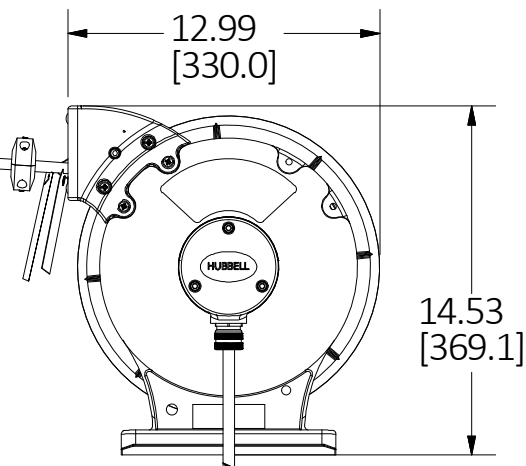
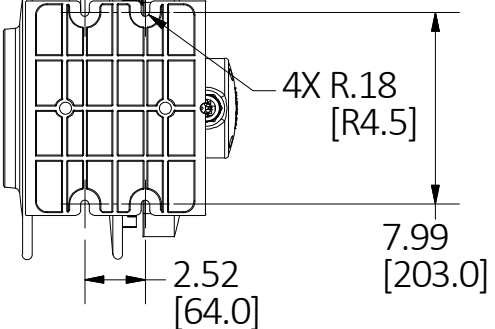


CORD ENDS CONFIG.  
PER CAT.# SEE TABLE



BLACK 12/3 SJO CORD  
SEE TABLE PER CAT.#  
FOR CORD LENGTH.

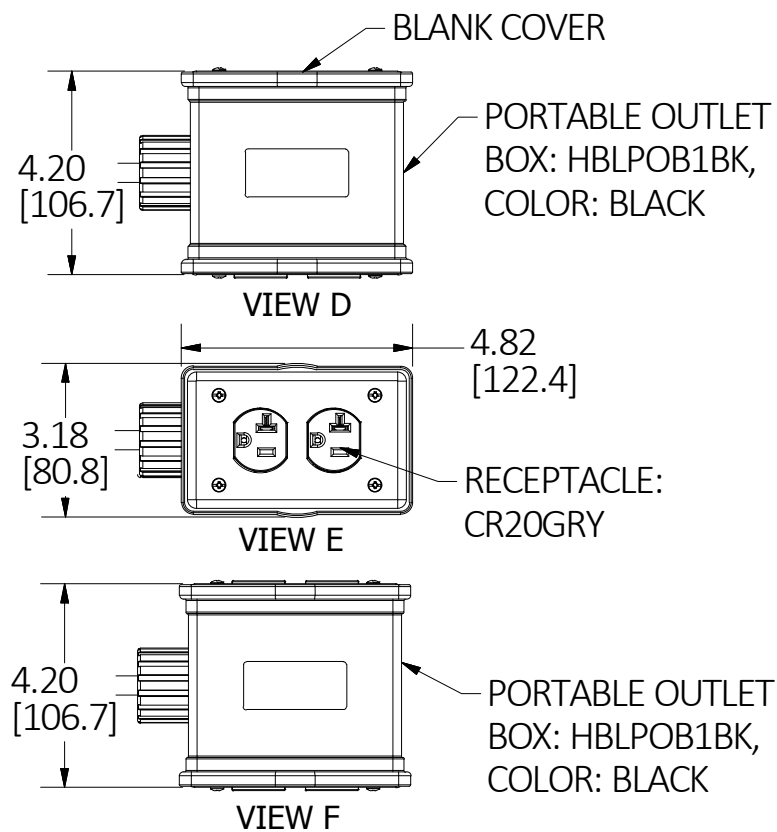
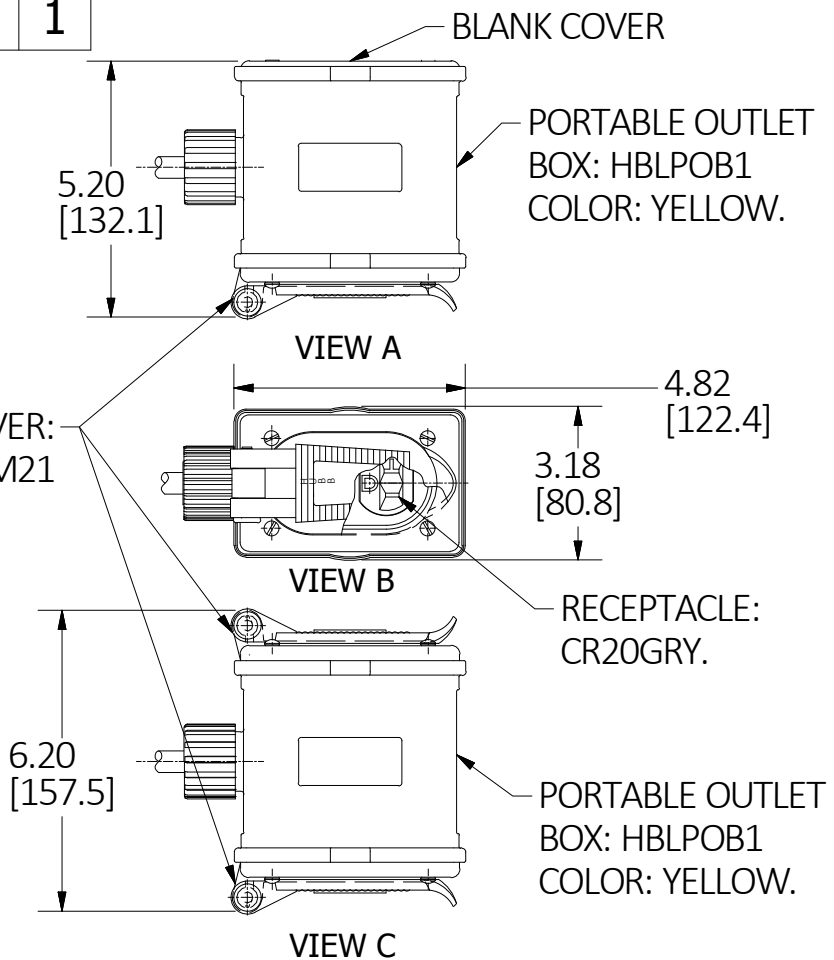


NOTES:  
1. DIMENSIONS ARE IN INCHES [mm]  
EXCEPT CORD LENGTH IN FEET.

M-13986

1

LIFT COVER:  
HBL52CM21



CAGE CODE 74545

CATALOG	DESCRIPTION	CONFIG. TOP VIEW	CONFIG. SIDE VIEW	RATING	CORD LENGTH	REEL COLOR	APPROX. WEIGHT
HBLI45123R20	REEL W/ (1) DPLX, LIFT COVER, 45'	B	A	20A 125V	45 FT.	WHITE	26.5 LB [12.0KG]
HBLI35123R20	REEL W/ (1) DPLX, LIFT COVER, 35'	B	A	20A 125V	35 FT.	WHITE	24.9 LB [11.3KG]
HBLI25123R20	REEL W/ (1) DPLX, LIFT COVER, 25'	B	A	20A 125V	25 FT.	WHITE	23.4 LB [10.6KG]
HBLI45123R20M1	REEL W/ (1) DPLX, PLATE COVER, 45'	E	D	20A 125V	45 FT.	WHITE	26.5 LB [12.0KG]
HBLI35123R20M1	REEL W/ (1) DPLX, PLATE COVER, 35'	E	D	20A 125V	35 FT.	WHITE	24.9 LB [11.3KG]
HBLI25123R20M1	REEL W/ (1) DPLX, PLATE COVER, 25'	E	D	20A 125V	25 FT.	WHITE	23.4 LB [10.6KG]
HBLI45123R220	REEL W/ (2) DPLX, LIFT COVER, 45'	B	C	20A 125V	45 FT.	WHITE	26.5 LB [12.0KG]
HBLI35123R220	REEL W/ (2) DPLX, LIFT COVER, 35'	B	C	20A 125V	35 FT.	WHITE	24.9 LB [11.3KG]
HBLI25123R220	REEL W/ (2) DPLX, LIFT COVER, 25'	B	C	20A 125V	25 FT.	WHITE	23.4 LB [10.6KG]
HBLI45123R220M1	REEL W/ (2) DPLX, PLATE COVER, 45'	E	F	20A 125V	45 FT.	WHITE	26.5 LB [12.0KG]
HBLI35123R220M1	REEL W/ (2) DPLX, PLATE COVER, 35'	E	F	20A 125V	35 FT.	WHITE	24.9 LB [11.3KG]
HBLI25123R220M1	REEL W/ (2) DPLX, PLATE COVER, 25'	E	F	20A 125V	25 FT.	WHITE	23.4 LB [10.6KG]
HBLI45123R20Y	YL REEL W/ (1) DPLX, LIFT COVER, 45'	B	A	20A 125V	45 FT.	YELLOW	26.5 LB [12.0KG]
HBLI35123R20Y	YL REEL W/ (1) DPLX, LIFT COVER, 35'	B	A	20A 125V	35 FT.	YELLOW	24.9 LB [11.3KG]
HBLI25123R20Y	YL REEL W/ (1) DPLX, LIFT COVER, 25'	B	A	20A 125V	25 FT.	YELLOW	23.4 LB [10.6KG]
HBLI45123R20M1Y	YL REEL W/ (1) DPLX, PLATE COVER, 45'	E	D	20A 125V	45 FT.	YELLOW	26.5 LB [12.0KG]
HBLI35123R20M1Y	YL REEL W/ (1) DPLX, PLATE COVER, 35'	E	D	20A 125V	35 FT.	YELLOW	24.9 LB [11.3KG]
HBLI25123R20M1Y	YL REEL W/ (1) DPLX, PLATE COVER, 25'	E	D	20A 125V	25 FT.	YELLOW	23.4 LB [10.6KG]
HBLI45123R220Y	YL REEL W/ (2) DPLX, LIFT COVER, 45'	B	C	20A 125V	45 FT.	YELLOW	26.5 LB [12.0KG]
HBLI35123R220Y	YL REEL W/ (2) DPLX, LIFT COVER, 35'	B	C	20A 125V	35 FT.	YELLOW	24.9 LB [11.3KG]
HBLI25123R220Y	YL REEL W/ (2) DPLX, LIFT COVER, 25'	B	C	20A 125V	25 FT.	YELLOW	23.4 LB [10.6KG]
HBLI45123R220M1Y	YL REEL W/ (2) DPLX, PLATE COVER, 45'	E	F	20A 125V	45 FT.	YELLOW	26.5 LB [12.0KG]
HBLI35123R220M1Y	YL REEL W/ (2) DPLX, PLATE COVER, 35'	E	F	20A 125V	35 FT.	YELLOW	24.9 LB [11.3KG]
HBLI25123R220M1Y	YL REEL W/ (2) DPLX, PLATE COVER, 25'	E	F	20A 125V	25 FT.	YELLOW	23.4 LB [10.6KG]

LIST OF PARTS		
DESCRIPTION	MATERIAL	FINISH
SPOOL WITH RATCHET	ALUMINIUM	POWDER COATING
SPOOL	ALUMINIUM	POWDER COATING
WIRING CHAMBER COVER	ALUMINIUM	POWDER COATING
SPRING BOX COVER	STEEL	ZINC PLATE
CLOCKWORK SPRING	SPRING STEEL	
GUIDE ARM	ALUMINIUM	POWDER COATING
GUIDE FRAME	THERMOPLASTIC	BLACK
HARDWARE	STEEL	ZINC PLATE
SPINDLE	STEEL	ZINC PLATE
CORD	COPPER	
BALL STOPPER	THERMOPLASTIC	BLACK
INTERNAL TERMINALS	COPPER ALLOY	
FITTING	ALUMINIUM	

REV	DESCRIPTION	APP	DATE
1	NEW RELEASE PER DCN #24214. D.LI		8/7/2018

THE DESIGN AND DIMENSIONS OF THE PRODUCT SHOWN ON THIS DRAWING ARE SUBJECT TO CHANGE WITHOUT NOTICE. DIMENSIONS ARE IN INCHES [mm].

TITLE  
**REEL WITH PORTABLE OUTLET BOX & 20A DUPLEX RCPT, UL TYPE 1**

**HUBBELL** WIRING DEVICE-KELLEMS  
HUBBELL INCORPORATED  
SHELTON, CT

TOLERANCES UNLESS OTHERWISE SPECIFIED  
.XX = ±.01  
.XXX = ±.005  
ANGLE TOL. ±2°

DR. BY D. LI SCALE NONE  
CHK. BY DATE 8/6/2018

DIMENSION SHEET FOR CAT. NO. M-13986  
SEE TABLE  
B  
M-13986  
1