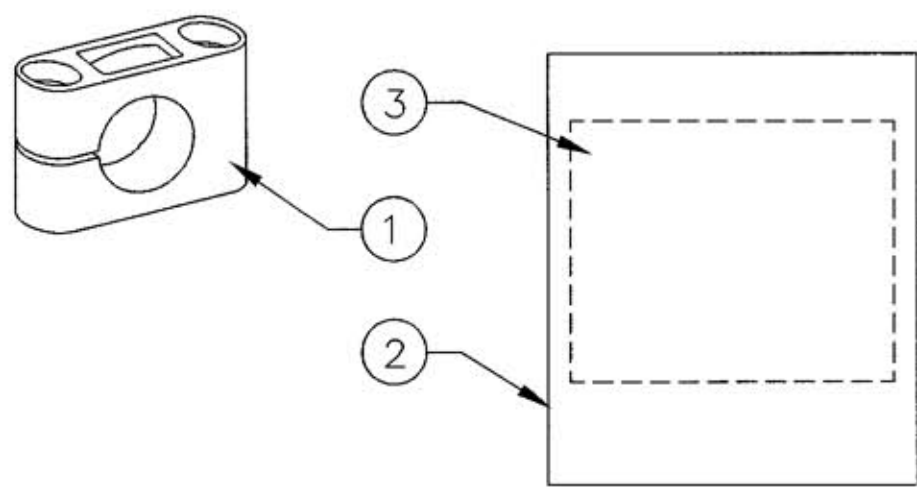
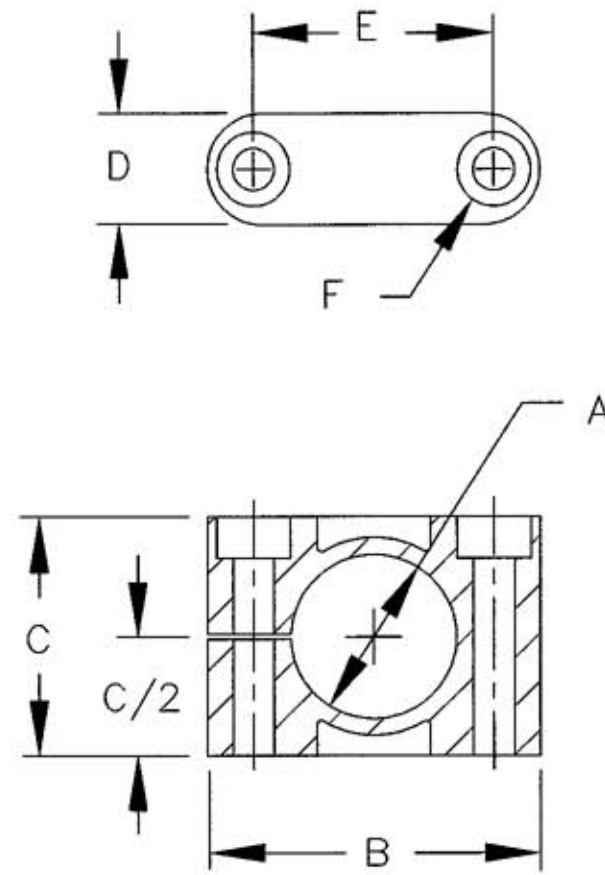


M-8793 1

HUBBELL MODEL	A	B	C	D	E	F	WEIGHT (OZ.)
BM08N	8.05(0.32)	27.0(1.06)	16.0(0.63)	12.0(0.47)	17.0(0.67)	4.50(0.18)	0.1
BM12N	12.1(0.48)	32.0(1.26)	20.0(0.79)	12.0(0.47)	22.0(0.87)	4.50(0.18)	0.2
BM16N	16.1(0.63)	36.0(1.42)	26.0(1.02)	12.0(0.47)	26.0(1.02)	4.50(0.18)	0.2
BM18N	18.1(0.71)	36.0(1.42)	26.0(1.02)	12.0(0.47)	26.0(1.02)	4.50(0.18)	0.2
BM20N	20.1(0.79)	45.0(1.77)	30.0(1.18)	15.0(0.59)	32.0(1.26)	5.50(0.22)	0.3
BM22N	22.1(0.87)	45.0(1.77)	30.0(1.18)	15.0(0.59)	32.0(1.26)	5.50(0.22)	0.4
BM30N	30.1(1.18)	55.0(2.17)	38.0(1.50)	18.0(0.71)	42.0(1.65)	5.50(0.22)	0.6
BM36N	36.1(1.42)	61.0(2.40)	44.0(1.73)	18.0(0.71)	48.0(1.89)	5.50(0.22)	0.9



LIST OF PARTS		
DESCRIPTION	MATERIAL	FINISH
BLOCK MOUNT	NYLON (GLASS FILLED)	

1	5/3/02 "X" REMOVED; LAST "X" REVISION WAS X-0. RELEASED FOR PRODUCTION PER DCN #9320. GDR MJL	APP	DATE
SYM	REVISIONS	APP	DATE

THE DESIGN AND DIMENSIONS OF THE PRODUCT SHOWN ON THIS DRAWING ARE SUBJECT TO CHANGE WITHOUT NOTICE

TITLE: BLOCK STYLE SENSOR MOUNTS, PLASTIC SLOT TYPE

TOLERANCES UNLESS OTHERWISE SPECIFIED	WIRING DEVICE-KELLEMS HUBBELL INCORPORATED BRIDGEPORT, CT	
FRACTIONS ±/64	DR. BY GDR	APP. BY MJL
DECIMALS ±005	TR. BY	SCALE NONE
ANGLES ±2	CHK'D BY	DATE 5/3/02

UNLESS OTHERWISE SPECIFIED DIMENSIONS ARE IN mm (INCHES)

DIMENSION SHEET FOR CAT. NO. M-8793
 REPAIRABLE NON-REPAIRABLE
 SEE CHART
 B
 M-8793
 1