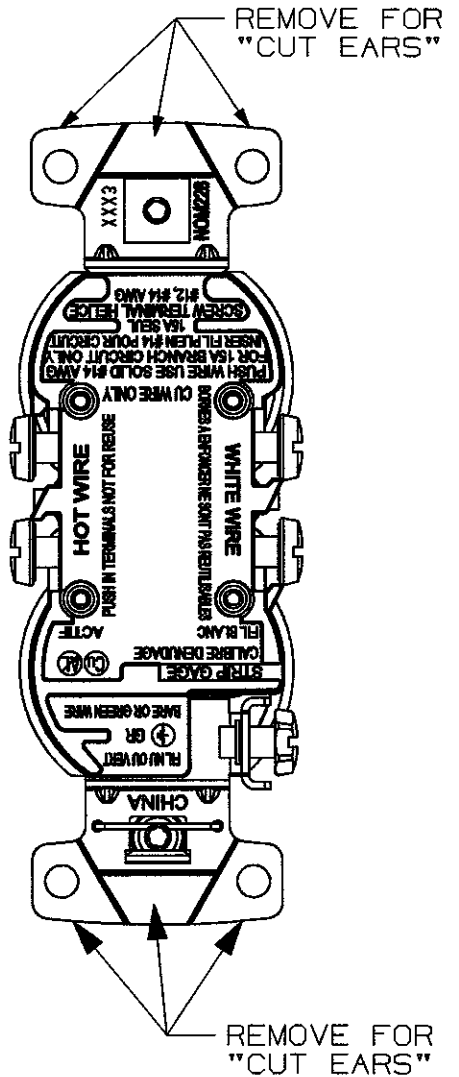
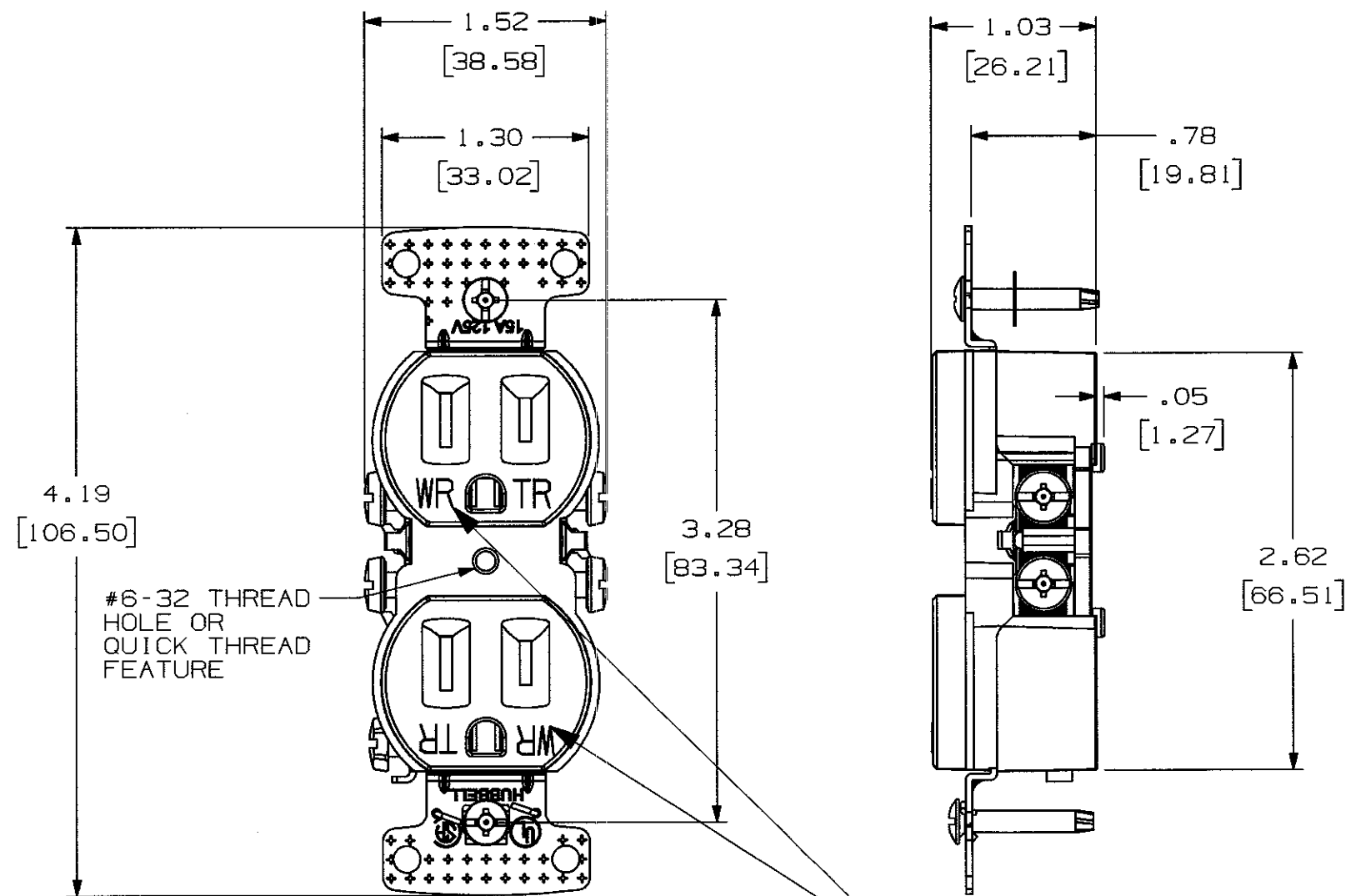


M-10864 2



NOTE:
1. DIMENSIONS ARE IN INCHES AND [MM].

"WR" ADD TO ALL WEATHER RESISTANT CATALOGS.

WEATHER RESISTANT CATALOG	CATALOG CUT EARS	CATALOG QUICK THREAD	CATALOG STANDARD	COLOR COVER	RATING
RR15SWRTR	RR15KTR	RR15QTR	RR15STR	BROWN	15A, 125V
RR15SIWRTR	RR15KITR	RR15QITR	RR15SITR	IVORY	15A, 125V
RR15SWWRTR	RR15KWTR	RR15QWTR	RR15SWTR	WHITE	15A, 125V
-----	RR15KGYTR	RR15QGYTR	RR15SGYTR	GRAY	15A, 125V
RR15SBKWTR	RR15KBKTR	RR15QBKTR	RR15SBKTR	BLACK	15A, 125V
RR15SALWRTR	RR15KALTR	RR15QALTR	RR15SALTR	ALMOND	15A, 125V
RR15SLAWRTR	RR15KLATR	RR15QLATR	RR15SLATR	LIGHT ALMOND	15A, 125V

DESCRIPTION	MATERIAL	FINISH
COVER	PVC	
BASE	PVC	
LINE TERMINAL	BRASS	
BINDING SCREW	STEEL	ZN PLATE
BINDING SCREW	STEEL	BRASS PLATE
STRAP	STEEL	
GROUND CONTACT	BRASS	
GROUND SCREW	STEEL	
GROUNDING SPRING	STAINLESS STL.	
QUICK CLICK SPRING	STAINLESS STL.	
MOUNTING SCREW	STEEL	
WASHER	PVC	
SLIDE BLOCK	PLASTIC	
SLIDE BASKET	PLASTIC	
SPRING	STAINLESS STL.	
WR BINDING SCREW	STAINLESS STL.	PASSIVATE
WR BINDING SCREW	STAINLESS STL.	HEAT TINT

REPAIRABLE <input type="checkbox"/>	NON-REPAIRABLE <input checked="" type="checkbox"/>
-------------------------------------	--

2	LIST OF PARTS, ADD 2, WR SCREWS. TABLE ADD 6 WR CATALOGS. ADD WR, IN FRONT VIEW. DCN 14676	RDK GPK	4/7/08
1	RELEASE FOR PRODUCTION GPK DCN 14436	RDK	1/23/08
SYM	REVISIONS	APP	DATE

THE DESIGN AND DIMENSIONS OF THE PRODUCT SHOWN ON THIS DRAWING ARE SUBJECT TO CHANGE WITHOUT NOTICE

TITLE TAMPER & WEATHER RESISTANT DUPLEX RECEPTACLE

TOLERANCES UNLESS OTHERWISE SPECIFIED	WIRING DEVICE-KELLEMS HUBBELL INCORPORATED BRIDGEPORT, CT	
FRACTIONS ± 1/64	DR. BY GPK	APP. BY RDK
DECIMALS ± .005	TR. BY	SCALE 1=1
ANGLES ± 2°	CHK'D BY RDK	DATE 1/23/08