

FIGURE 2

WIRE	COLOR
1	BLACK
2	BLUE
3	BROWN
4	WHITE

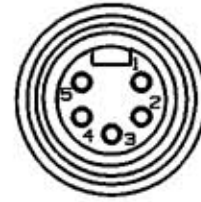


FIGURE 3

WIRE	COLOR
1	BLACK
2	BLUE
3	YELLOW/GREEN
4	BROWN
5	WHITE

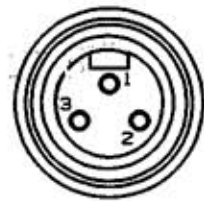
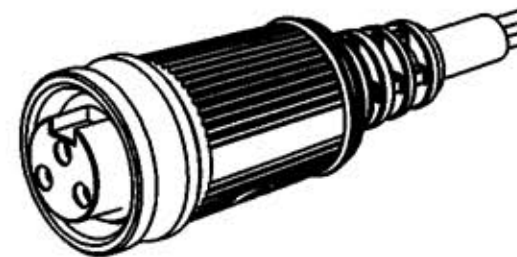
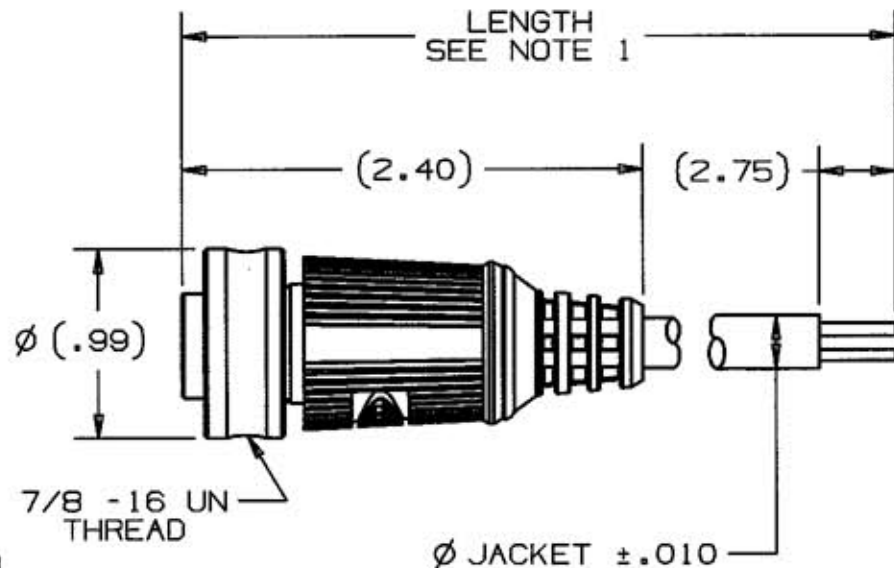


FIGURE 1

WIRE	COLOR
1	YELLOW/GREEN
2	BROWN
3	BLUE



NOTES:

1. PLUG ASSEMBLIES AVAILABLE IN 3,6,12,15,20,AND 25 FOOT LENGTHS. CONSULT FACTORY FOR OTHER LENGTHS.
2. TWO DIGIT SUFFIX IN CATALOG NUMBER DENOTES LENGTH OF PLUG ASSEMBLY IN FEET. HCMS03303 IS 3 FEET LONG.
3. CATALOG NUMBER PREFIX;  
HCNS---- DENOTES A PLASTIC COUPLING NUT,  
HCMS---- DENOTES A METAL COUPLING NUT.

CATALOG NUMBER SEE NOTE 2	SEE FIGURE NUMBER	NUMBER OF POLES	AMPS	CABLE JACKET DIA.
HCMS033__ HCNS033__	1	3	11	.258
HCMS043__ HCNS043__	2	4	8	.258
HCMS053__ HCNS053__	3	5	7	.258

LIST OF PARTS

DESCRIPTION	MATERIAL	FINISH
COUPLING NUT	SEE NOTE 3	
INSULATOR	NYLON	WHITE
RETAINER	NYLON	BLACK
O-RING	RUBBER	BLACK
O-RING	SILICONE	GREEN
SOCKET CONTACT	COPPER ALLOY	GOLD OVER Pd/Ni
OVERMOLD	POLYURETHANE	BLACK
CABLE	18 AWG PVC	BLACK

REV	DESCRIPTION	APP	DATE
4	LIST OF PARTS, REMOVE COUPLING NUT NYLON BK. REMOVE BRASS WITH NIC. FINISH. ADD SEE NOTE 3 DCN10549 GPK/GPH <i>gpk</i>	GPH	2/20/03
3	9/17/02 REPLACED OVERMOLD WITH PART M7935-04. CHANGED CABLE DIA. TO .258. DIM. (2.40) WAS (2.30) PER DCN 10000 SPN	GPH	9/17/02
2	ADDED NOTE 3; ADDED HCNA CAT. NOS. TO TABLE; ADDED COUPLING NUT TO "LIST OF PARTS" PER DCN 7955 RCM		9/11/00
1	RELEASED PER DCN6427. DJH	GPH	03/22/99

SYM	REVISIONS	APP	DATE
-----	-----------	-----	------

THE DESIGN AND DIMENSIONS OF THE PRODUCT SHOWN ON THIS DRAWING ARE SUBJECT TO CHANGE WITHOUT NOTICE

TITLE  
STRAIGHT FEMALE PLUG,  
#18 AWG AWM2661 CABLE

TOLERANCES UNLESS OTHERWISE SPECIFIED	WIRING DEVICE-KELLEMS HUBBELL INCORPORATED BRIDGEPORT, CT	
FRACTIONS ±1/64	DR. BY DJH	APP. BY
DECIMALS ±.005	TR. BY	SCALE NONE
ANGLES ±2°	CHK'D BY	DATE 03/19/99

DIMENSION SHEET FOR CAT. NO. M-8022  
 REPAIRABLE  NON-REPAIRABLE   
 SEE CHART  
 B  
 M-8022  
 4