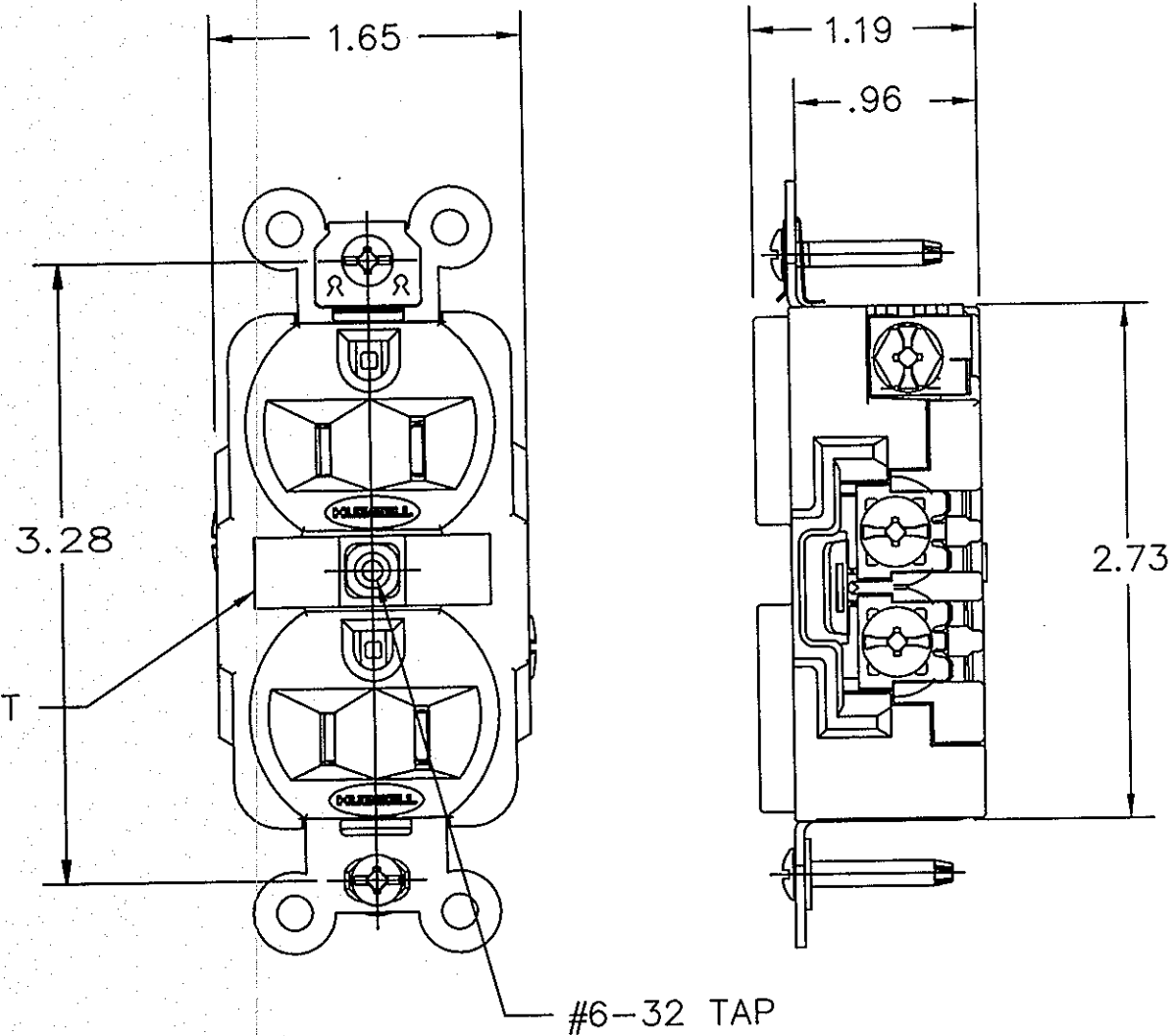
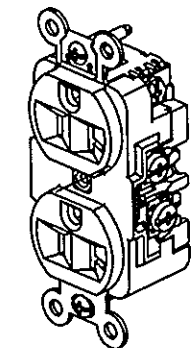


M-8225 4



LIST OF PARTS		
DESCRIPTION	MATERIAL	FINISH
FACE	NYLON	
BRIDGE	BRASS	SEE NOTE 1
CONTACTS	BRASS	SEE NOTE 1
CLAMP PLATES	BRASS	SEE NOTE 1
BASE	REINF. POLYESTER	
WASHER	FIBER	
GROUND CLIP	STAIN. STL.	
MOUNTING SCREWS	STEEL	SEE NOTE 1
RIVET	BRASS	SEE NOTE 1
BINDING SCREWS	BRASS	

DIMENSION SHEET FOR CAT. NO. SEE TABLE



CATALOG NO. HBL5362 (NOT SHOWN TO SCALE)

REPAIRABLE  NON-REPAIRABLE

4	ADDED ISO VIEW TO INDICATE SOLID MODEL DRAWING PER DCN 21895 DDL	DJP	02/25/16
3	6/25/01 ADDED NOTE 1 TO DWG. IN TABLE, ADDED "CORROSION RESISTANT SEE NOTE 1" TITLE TO YELLOW AND IVORY. ADDED "SEE NOTE 1" TO BILL OF MATERIAL. PER DCN 8698 SPN	DB	6/26/01
2	ADDED ID LABELS & TABLE PER DCN #7773. AMZ	DB	7/25/00
1	RELEASED PER DCN7433	NB	2/9/00
SYM	REVISIONS	APP	DATE

B M-8225

THE DESIGN AND DIMENSIONS OF THE PRODUCT SHOWN ON THIS DRAWING ARE SUBJECT TO CHANGE WITHOUT NOTICE

TITLE  
 DUPLEX RECEPTACLE

TOLERANCES UNLESS OTHERWISE SPECIFIED .XX = ±.01 .XXX = ±.005 ANGLES = ±2°	WIRING DEVICE-KELLEMS HUBBELL INCORPORATED SHELTON, CT			
	DR. BY	SRE	APP. BY	NB
	TR. BY		SCALE	1:1
	CHK. BY	NB	DATE	2/9/00

4

CORROSION RESISTANT (SEE NOTE 1)		HEAVY DUTY INDUSTRIAL						CONFIGURATION	RATING
YELLOW	IVORY	BROWN	BLACK	GRAY	IVORY	RED	WHITE		
HBL52CM62	HBL52CM62I	HBL5262	HBL5262BK	HBL5262GY	HBL5262I	HBL5262R	HBL5262W		15A, 125V
HBL53CM62	_____	HBL5362	HBL5362BK	HBL5362GY	HBL5362I	HBL5362R	HBL5362W		20A, 125V
_____	_____	HBL5662	_____	_____	HBL5662I	_____	_____		15A, 250V
_____	_____	HBL5462	_____	HBL5462GY	HBL5462I	_____	_____		20A, 250V

NOTE 1: THE CM VERSION RECEPTACLES HAVE NICKEL PLATED BRASS BRIDGES. CLAMP PLATES AND CONTACTS ARE BRASS WITH NICKEL-TIN PLATING. MOUNTING SCREWS ARE STAINLESS STEEL AND RIVETS ARE SILICON BRONZE.