

DIMENSION SHEET FOR CAT. NO. SEE TABLE

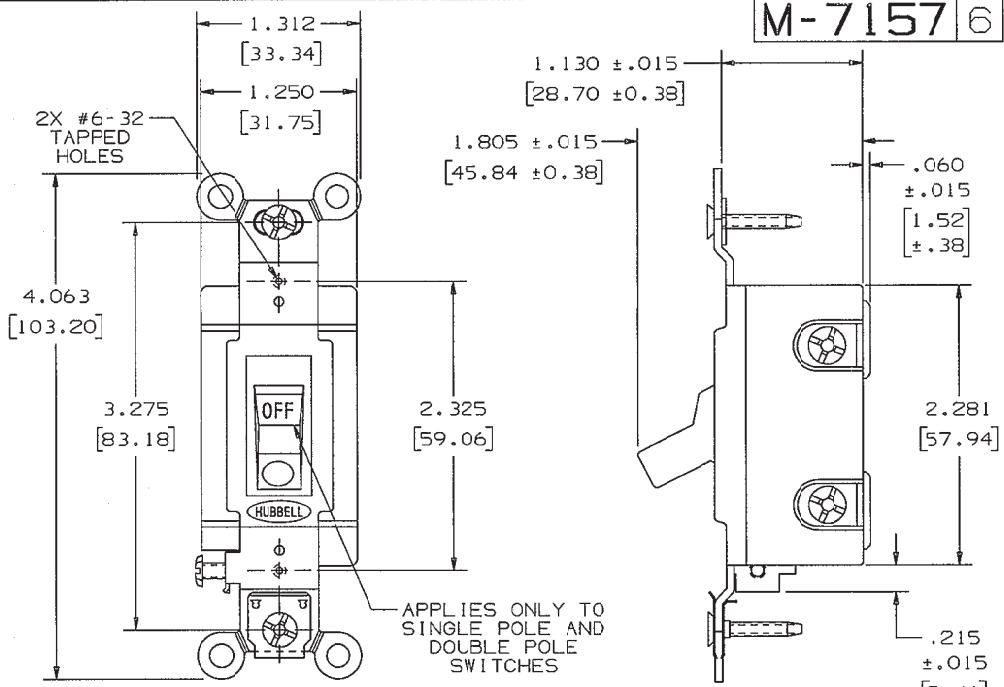
REPAIRABLE  NON-REPAIRABLE

B

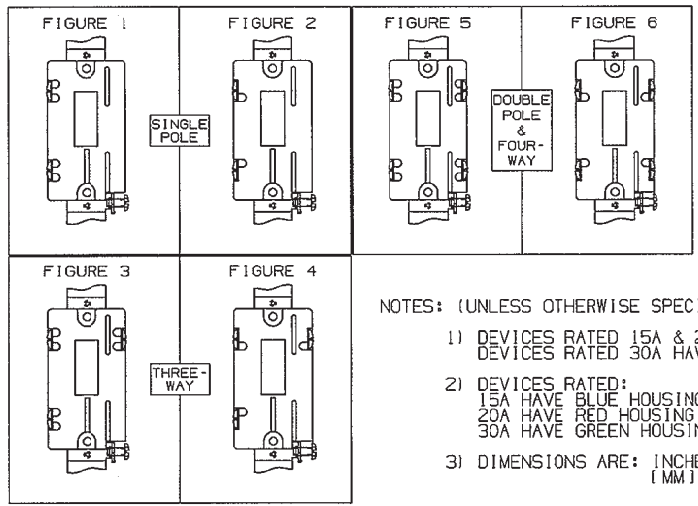
M-7157

6

# M-7157 6



BACK VIEW FIGURES



- NOTES: (UNLESS OTHERWISE SPECIFIED)
- 1) DEVICES RATED 15A & 20A HAVE PLAIN BRASS FINISH; DEVICES RATED 30A HAVE TIN PLATED FINISH.
  - 2) DEVICES RATED:  
15A HAVE BLUE HOUSING  
20A HAVE RED HOUSING  
30A HAVE GREEN HOUSING
  - 3) DIMENSIONS ARE: INCHES [MM]

CODE 74545

| CATALOG NO. | TOGGLE COLOR | RATINGS/TYPE        | BACK VIEW FIGURE | LIST OF PARTS       |                      |              |
|-------------|--------------|---------------------|------------------|---------------------|----------------------|--------------|
|             |              |                     |                  | DESCRIPTION         | MATERIAL             | FINISH       |
| HBL1201     | BROWN        | 15A 120-277VAC S.P. | 1                | HOUSING             | UREA                 |              |
| HBL1201GY   | GRAY         | 15A 120-277VAC S.P. | 1                | COVER               | UREA                 |              |
| HBL1201I    | IVORY        | 15A 120-277VAC S.P. | 1                | TOGGLE              | NYLON                |              |
| HBL1201R    | RED          | 15A 120-277VAC S.P. | 1                | STATIONARY TERMINAL | .031 BRASS           | NOTE 1       |
| HBL1201W    | WHITE        | 15A 120-277VAC S.P. | 1                | SPRING ARM TERMINAL | .031 BRASS           | NOTE 1       |
| HBL1202     | BROWN        | 15A 120-277VAC D.P. | 5                | WIRE CLAMP          | .080 STEEL           | TIN PLATE    |
| HBL1202I    | IVORY        | 15A 120-277VAC D.P. | 5                | BRIDGE              | .050 STEEL           | NICKEL PLATE |
| HBL1203     | BROWN        | 15A 120-277VAC 3W   | 3                | CONTACTS            | SILVER/CADMIUM OXIDE |              |
| HBL1203BK   | BLACK        | 15A 120-277VAC 3W   | 3                | BINDING SCREWS      | BRASS                |              |
| HBL1203GY   | GRAY         | 15A 120-277VAC 3W   | 3                | MOUNTING SCREWS     | STEEL                | ZINC PLATE   |
| HBL1203I    | IVORY        | 15A 120-277VAC 3W   | 3                |                     |                      |              |
| HBL1204     | BROWN        | 15A 120-277VAC 4W   | 5                |                     |                      |              |
| HBL1204BK   | BLACK        | 15A 120-277VAC 4W   | 5                |                     |                      |              |
| HBL1204GY   | GRAY         | 15A 120-277VAC 4W   | 5                |                     |                      |              |
| HBL1204I    | IVORY        | 15A 120-277VAC 4W   | 5                |                     |                      |              |
| HBL1221     | BROWN        | 20A 120-277VAC S.P. | 1                |                     |                      |              |
| HBL1221BK   | BLACK        | 20A 120-277VAC S.P. | 1                |                     |                      |              |
| HBL1221GY   | GRAY         | 20A 120-277VAC S.P. | 1                |                     |                      |              |
| HBL1221I    | IVORY        | 20A 120-277VAC S.P. | 1                |                     |                      |              |
| HBL1221R    | RED          | 20A 120-277VAC S.P. | 1                |                     |                      |              |
| HBL1221W    | WHITE        | 20A 120-277VAC S.P. | 1                |                     |                      |              |
| HBL1221OW   | OFFICE WHITE | 20A 120-277VAC S.P. | 1                |                     |                      |              |
| HBL1222     | BROWN        | 20A 120-277VAC D.P. | 5                |                     |                      |              |
| HBL1222GY   | GRAY         | 20A 120-277VAC D.P. | 5                |                     |                      |              |
| HBL1222I    | IVORY        | 20A 120-277VAC D.P. | 5                |                     |                      |              |
| HBL1222R    | RED          | 20A 120-277VAC D.P. | 5                |                     |                      |              |
| HBL1222W    | WHITE        | 20A 120-277VAC D.P. | 5                |                     |                      |              |
| HBL1222OW   | OFFICE WHITE | 20A 120-277VAC D.P. | 5                |                     |                      |              |
| HBL1222LA   | LT. ALMOND   | 20A 120-277VAC D.P. | 5                |                     |                      |              |
| HBL1223     | BROWN        | 20A 120-277VAC 3W   | 3                |                     |                      |              |
| HBL1223BK   | BLACK        | 20A 120-277VAC 3W   | 3                |                     |                      |              |
| HBL1223GY   | GRAY         | 20A 120-277VAC 3W   | 3                |                     |                      |              |
| HBL1223I    | IVORY        | 20A 120-277VAC 3W   | 3                |                     |                      |              |
| HBL1223R    | RED          | 20A 120-277VAC 3W   | 3                |                     |                      |              |
| HBL1223W    | WHITE        | 20A 120-277VAC 3W   | 3                |                     |                      |              |
| HBL1223OW   | OFFICE WHITE | 20A 120-277VAC 3W   | 3                |                     |                      |              |
| HBL1223LA   | LT. ALMOND   | 20A 120-277VAC 3W   | 3                |                     |                      |              |
| HBL1224     | BROWN        | 20A 120-277VAC 4W   | 5                |                     |                      |              |
| HBL1224BK   | BLACK        | 20A 120-277VAC 4W   | 5                |                     |                      |              |
| HBL1224GY   | GRAY         | 20A 120-277VAC 4W   | 5                |                     |                      |              |
| HBL1224I    | IVORY        | 20A 120-277VAC 4W   | 5                |                     |                      |              |
| HBL1224R    | RED          | 20A 120-277VAC 4W   | 5                |                     |                      |              |
| HBL1224W    | WHITE        | 20A 120-277VAC 4W   | 5                |                     |                      |              |
| HBL1224OW   | OFFICE WHITE | 20A 120-277VAC 4W   | 5                |                     |                      |              |
| HBL1224LA   | LT. ALMOND   | 20A 120-277VAC 4W   | 5                |                     |                      |              |
| HB_3031     | BROWN        | 30A 120-277VAC S.P. | 2                |                     |                      |              |
| HBL3031I    | IVORY        | 30A 120-277VAC S.P. | 2                |                     |                      |              |
| HB_3032     | BROWN        | 30A 120-277VAC D.P. | 6                |                     |                      |              |
| HBL3032I    | IVORY        | 30A 120-277VAC D.P. | 6                |                     |                      |              |
| HBL3032W    | WHITE        | 30A 120-277VAC D.P. | 6                |                     |                      |              |
| HB_3033     | BROWN        | 30A 120-277VAC 3W   | 4                |                     |                      |              |
| HBL3033I    | IVORY        | 30A 120-277VAC 3W   | 4                |                     |                      |              |

| FIGURE | DESCRIPTION  | APP | DATE                          |
|--------|--|-----|-------------------------------|
| 6      | ADDED CATALOG NOS. HBL1203BK, HBL1204BK, HBL1222AL, HBL1222LA, HBL1222OW & HBL1224LA AND SPECS. TO TABLE PER DCN 20354 DD. | TFH | 03/05/14<br><i>rev 2/1/14</i> |
| 5      | ADDED CAT. HBL1223 LA TO TABLE. PER DCN# 19766. MJJ, PJB   | MJJ | 4/10/13                       |
| 4      | ADDED CAT. HBL3032W TO TABLE. PER DCN 17810 SPN  | DJP | 7/6/11                        |
| 3      | ADDED CAT. NO. 1'S HBL1221OW, HBL1223OW, & HBL1224OW TO TABLE. ADDED NOTE 3 AND DUAL DIMENSIONING PER DCN #13355. JMN      | DJP | 12/1/08                       |
| 2      | CONVERTED ALL DIMS TO 3 PL DECIMAL, ADDED TOL & NOTE 2 CHGD SCREWS TO TRI-DRIVE PER DCN #7793. AMZ                         | DB  | 7/27/00                       |
| 1      | "X" REMOVED; LAST X-REVISION WAS X-0 PER DCN # 2123. JMN   | CJC | 6/25/93                       |
| SYM    | REVISIONS  | APP | DATE                          |

THE DESIGN AND DIMENSIONS OF THE PRODUCT SHOWN ON THIS DRAWING ARE SUBJECT TO CHANGE WITHOUT NOTICE

TITLE  
FLUSH A.C. TOGGLE SWITCH

|                                       |   |                     |
|---------------------------------------|---|---------------------|
| TOLERANCES UNLESS OTHERWISE SPECIFIED | #RING DEVICE-KELLEMS HUBBELL INCORPORATED SHELTON, CT |                     |
| .XX ± .01                             | DR. EY JMN  | APP. BY CJC         |
| .XXX ± .005                           | TR. EY  | SCALE $\frac{1}{1}$ |
| ANGLES ± 2°                           | CHK. BY   | DATE 8/25/93        |