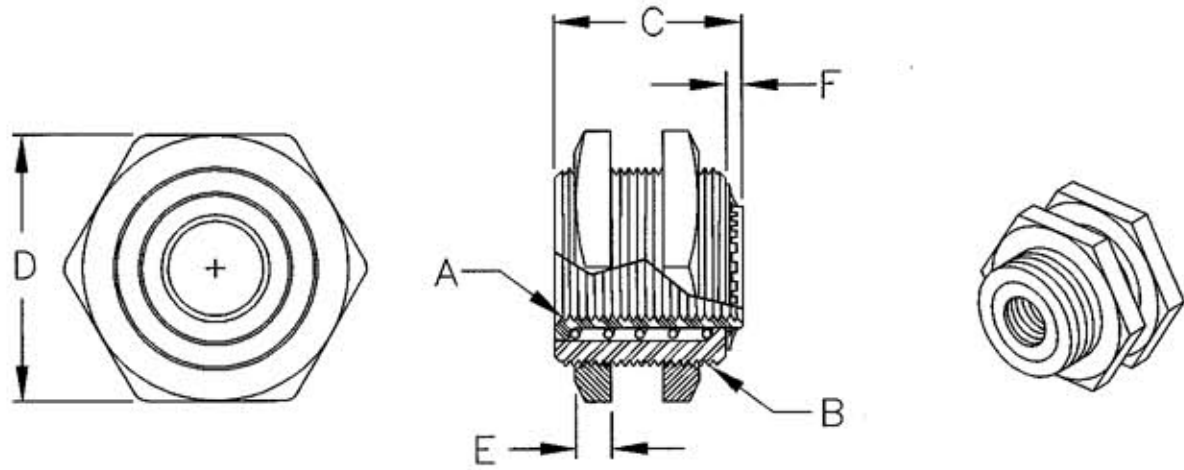


M-8780 1

HUBBELL MODEL	A	B	C	D	E	E	WEIGHT (OZ.)
CSM8	M8x1	M16x1.5	22.1(0.87)	22.1(0.87)	3.10(0.12)	3.13(0.12)	0.9
CSM12LP	M12x1	M18x1	21.1(0.83)	24.0(0.95)	4.06(0.16)	2.06(0.08)	1.3
CSM18	M18x1	M30x1.5	29.7(1.17)	35.8(1.41)	5.10(0.20)	4.23(0.17)	2.3
CSM30	M30x1.5	M47x1.5	37.3(1.47)	51.0(2.01)	5.10(0.20)	2.44(0.10)	4.7



UNLESS OTHERWISE SPECIFIED DIMENSIONS ARE IN mm (INCHES)

NOTES:

- All housings are anodized aluminum except for CSM12LP which are stainless steel.
- Jam nuts are all zinc-plated brass except for CSM12LP which are stainless steel.

LIST OF PARTS

DESCRIPTION	MATERIAL	FINISH
SEE NOTES		

1	5/1/02 "X" REMOVED; LAST "X" REVISION WAS X-0. RELEASED FOR PRODUCTION PER DCN #9320. GDR MJL		
SYM	REVISIONS	APP	DATE

THE DESIGN AND DIMENSIONS OF THE PRODUCT SHOWN ON THIS DRAWING ARE SUBJECT TO CHANGE WITHOUT NOTICE

TITLE
CUSHIONED SENSOR MOUNTS, THREADED TYPE

TOLERANCES UNLESS OTHERWISE SPECIFIED		WIRING DEVICE-KELLEMS HUBBELL INCORPORATED BRIDGEPORT, CT	
FRACTIONS	±1/64	DR. BY GDR	APP. BY MJL
DECIMALS	±005	TR. BY	SCALE NONE
ANGLES	±2°	CHK'D BY	DATE 5/1/02

DIMENSION SHEET FOR CAT. NO. M-8780
 REPAIRABLE NON-REPAIRABLE
 SEE CHART