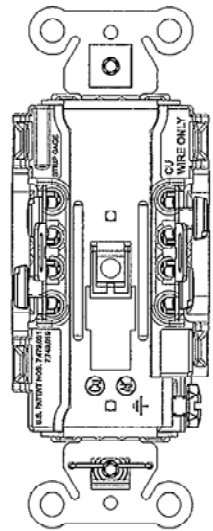
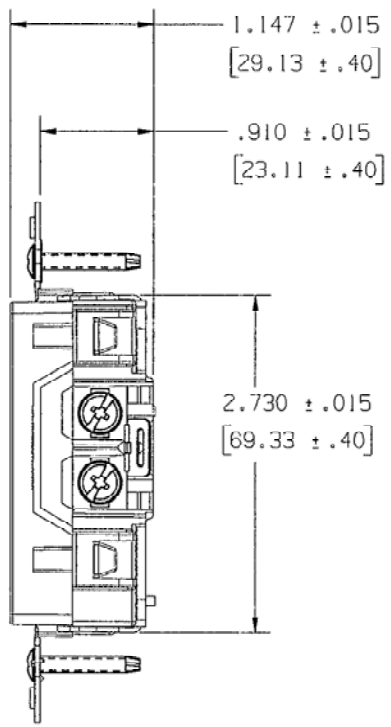
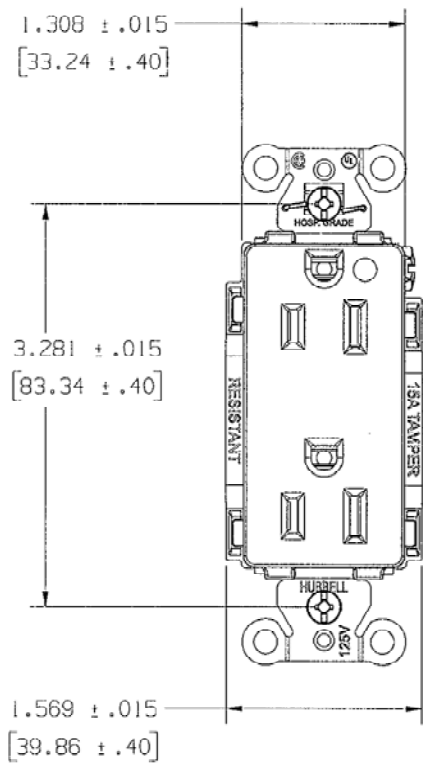


M-11713 1



NOTES:
 1) DIMENSIONS ARE IN INCHES (MM).
 2) ALL DEVICES UL LISTED AND CSA CERTIFIED.
 3) TERMINALS ACCOMMODATE #14-#10 AWG COPPER WIRE ONLY.

CATALOG NUMBERS											
	BROWN	IVORY	GRAY	WHITE	BLACK	ALMOND	LIGHT ALMOND	OFFICE WHITE	ORANGE	RED	BLUE
15A	2172TR	2172IVTR	2172GYTR	2.72WTR	2172BKTR	2172ALMTR	2172LATR	-----	-----	2172REDTR	-----
20A	2182TR	2182IVTR	2182GYTR	2.82WTR	2182BKTR	2182ALMTR	2182LATR	-----	-----	2182REDTR	-----

LIST OF PARTS		
DESCRIPTION	MATERIAL	FINISH
TOP	NYLON 6/6	SP1 A-3
BASE	NYLON 6/6	SP1 A-3
LINE CONTACTS	BRASS	
GROUND CONTACTS	BRASS	
CONTACT SCREW (NEU)	STEEL	NI PLT
CONTACT SCREW (HOT)	STEEL	
BRIDGE	.04 GALV STL	
GROUND SCREW	STEEL	GREEN
STAPLE	S.S.	
WASHER	PVC FILM	BLACK
MOUNTING SCREW	STEEL	ZINC PLT

1	RELEASED PER DCN #18840 WRV WJ	05/08/12
---	-----------------------------------	----------

SYM	REVISIONS	APP	DATE
-----	-----------	-----	------

THE DESIGN AND DIMENSIONS OF THE PRODUCT SHOWN ON THIS DRAWING ARE SUBJECT TO CHANGE WITHOUT NOTICE

TITLE HOSPITAL GRADE DECORATOR RECEPTACLE
 15A & 20A 125V, 2P3W
 TAMPER RESISTANT
 BACK & SIDE WIRE

TOLERANCES UNLESS OTHERWISE SPECIFIED .XX : ±.01 .XXX : ±.005 ANGLES : ±2°	WIRING DEVICE-KELLEMS HUDBELL INCORPORATED SHELTON, CT	
	DR. BY WRV	APP. BY
	TR. BY	SCALE 1:1
	CHK. BY	DATE 5/2012

DIMENSION SHEET FOR CAT. NO. M-11713
 REPAIRABLE NON-REPAIRABLE B