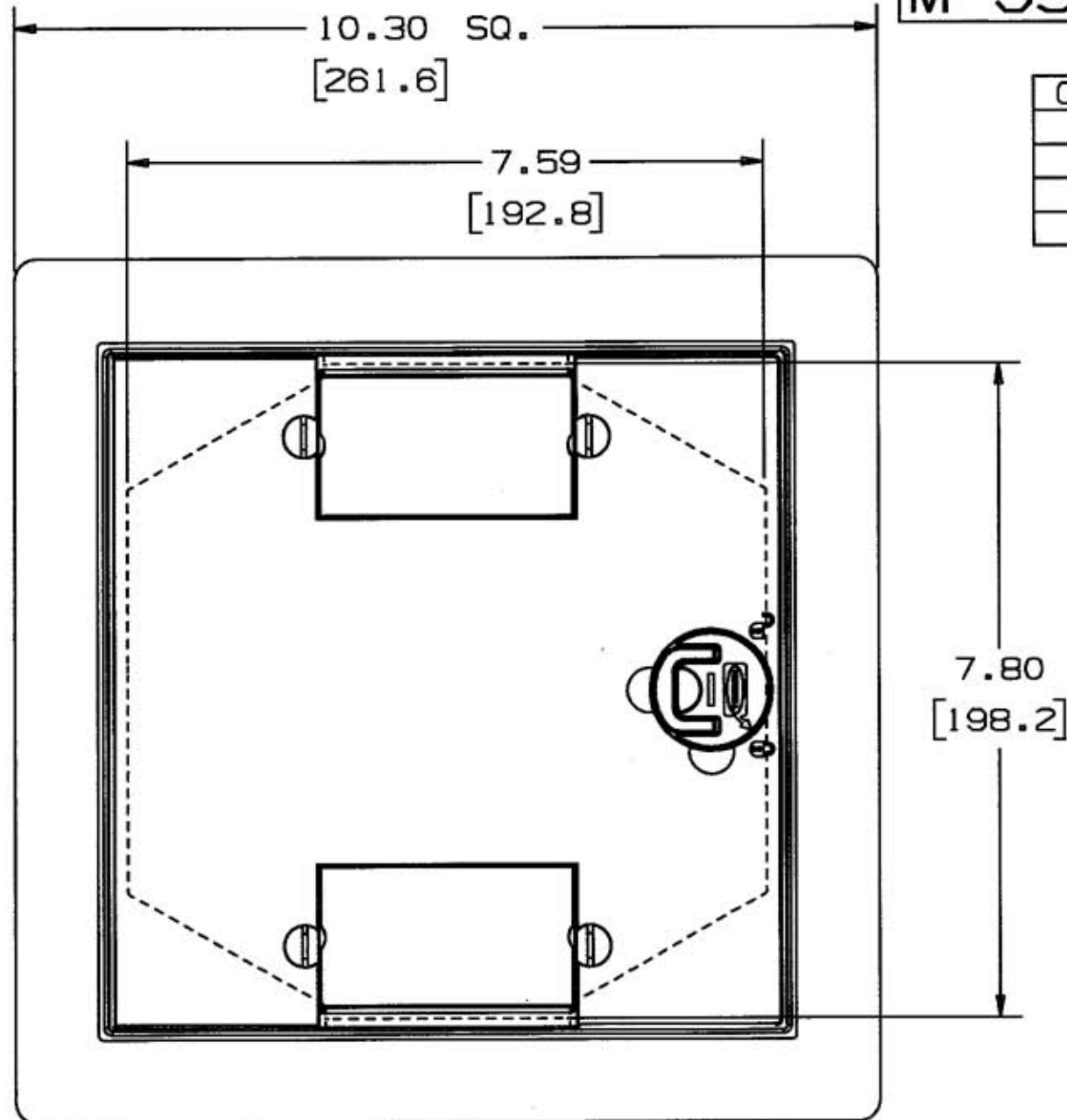
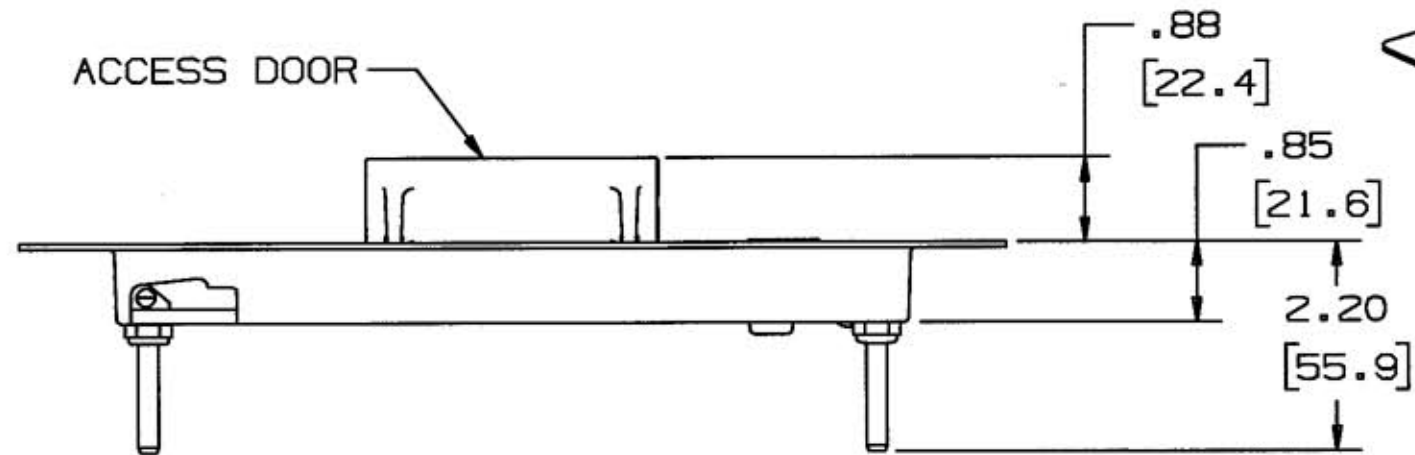
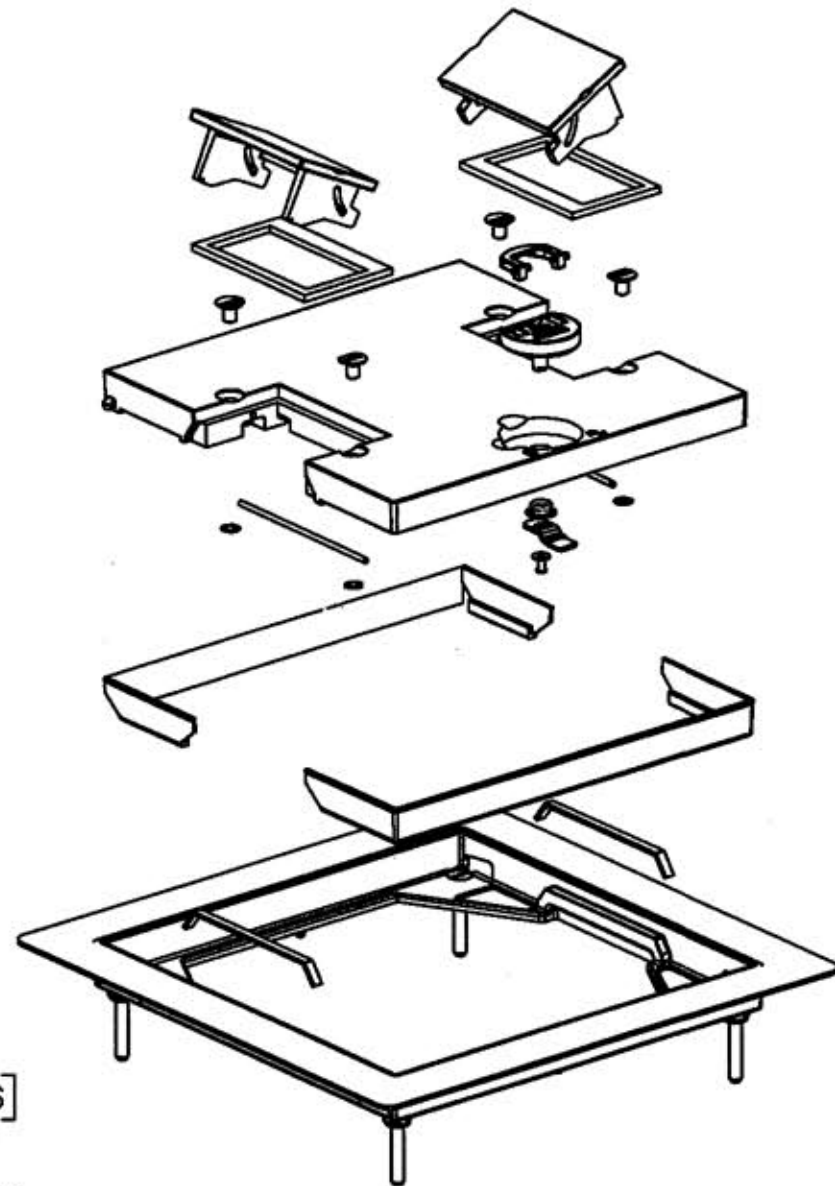


M-9549 3



CATALOG NUMBER	COLOR
LCFBCALTC	ALUMINUM FINISH
LCFBCGYTC	GRAY
LCFBCBKTC	BLACK
LCFBCBRSTC	BRASS FINISH



LIST OF PARTS		
DESCRIPTION	MATERIAL	FINISH
MAIN COVER	ALUMINUM	POWDER COAT
CABLE DOOR	ALUMINUM	POWDER COAT
HINGE PIN	STAIN. STEEL	
CABLE DOOR GASKET	FOAM	
LOCKING STUD	ALUMINUM	POWDER COAT
RETAINING RING	STAIN. STEEL	
HINGE SIDE GASKET	FOAM	
SHORT SIDE GASKET	NEOPRENE	
FRONT GASKET	NEOPRENE	
KNOB	ALUMINUM	POWDER COAT
PULL RING	ALUMINUM	POWDER COAT
O-RING	NEOPRENE	
RETAINING RING	STAIN. STEEL	
PAWL LATCH	STEEL	ZINC
WASHER	STAIN. STEEL	
TILE FLANGE	ALUMINUM	POWDER COAT
FLANGE GASKET	FOAM	
JACKING SCREW	STEEL	ZINC
LOCKING NUT	STEEL	ZINC

SYM	REVISIONS	APP	DATE
3	ADDED CAT. NOS. LCFBCGYTC, LCFBCBKTC & LCFBCBRSTC PER DCN 12382 RCM	JPP	5/25/05
2	ADDED FINISHES TO PART LIST; ADDED .88, 7.59 & 7.80 DIMS.; REVISED TITLE PER DCN 11902 RCM	JPP	1/13/05
1	RELEASED FOR PRODUCTION PER DCN #12014. JMN	JPP	9/28/04

THE DESIGN AND DIMENSIONS OF THE PRODUCT SHOWN ON THIS DRAWING ARE SUBJECT TO CHANGE WITHOUT NOTICE

TITLE CUSTOMER DRAWING
CARPET FLANGE &
TILE COVER ASSEMBLY

TOLERANCES UNLESS OTHERWISE SPECIFIED	WIRING DEVICE-KELLEMS HUBBELL INCORPORATED BRIDGEPORT, CT	
FRACTIONS ± 1/64	DR. BY JMN	APP. BY JPP
DECIMALS ± .005	TR. BY	SCALE 1:2
ANGLES ± 2°	CHK'D BY JPP	DATE 9/28/04

NOTE: INCHES (MM)