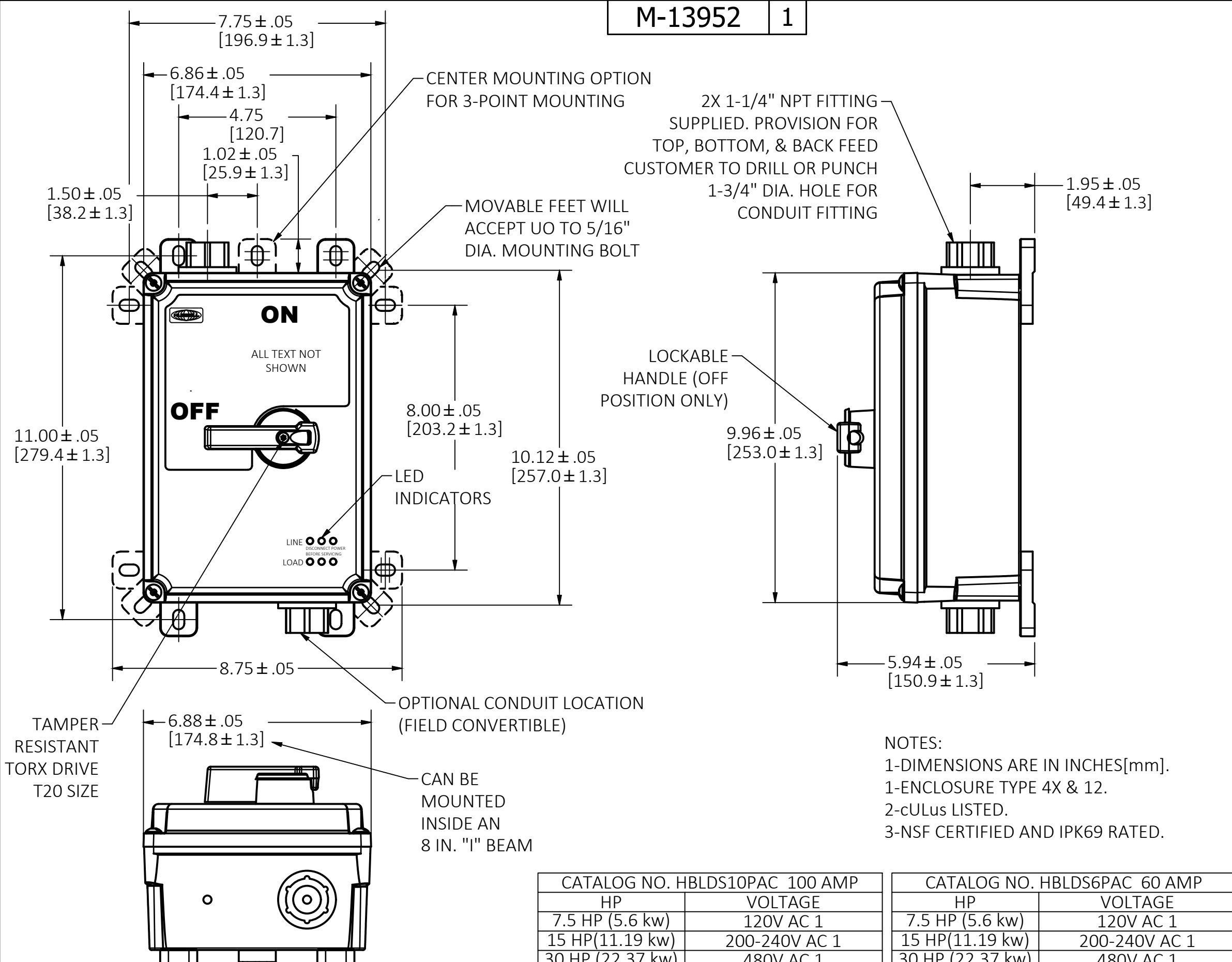
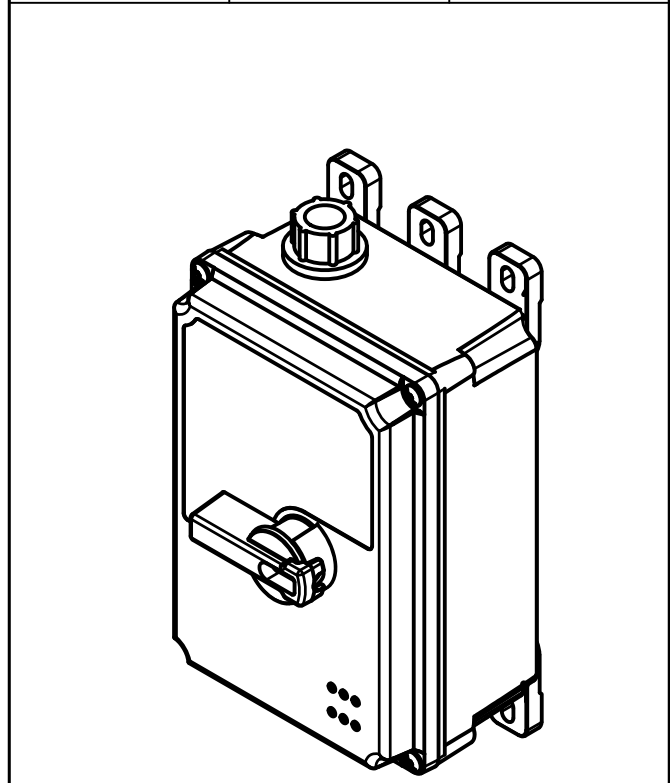


M-13952

1



LIST OF PARTS		
DESCRIPTION	MATERIAL	FINISH
ALL EXTERNAL PLASTIC PARTS	UV STABILIZED POLYESTER BLEND	
ALL EXTERNAL SCREWS	STAINLESS STEEL	
THREADED HUB	DIE CAST	
INSULATED THROAT	ZINC	
GREEN LEDS		
AUX CONTACT	PLASTIC	



CATALOG NO. HBLDS6PAC NOT SHOWN TO SCALE

NOTES:
 1-DIMENSIONS ARE IN INCHES[mm].
 1-ENCLOSURE TYPE 4X & 12.
 2-cULus LISTED.
 3-NSF CERTIFIED AND IPK69 RATED.

CATALOG NO. HBLDS10PAC 100 AMP	
HP	VOLTAGE
7.5 HP (5.6 kw)	120V AC 1
15 HP(11.19 kw)	200-240V AC 1
30 HP (22.37 kw)	480V AC 1
30 HP(22.37 kw)	200-240V AC 3
50 HP(37.28 kw)	480V AC 3
50 HP(37.28 kw)	600V AC 3

CATALOG NO. HBLDS6PAC 60 AMP	
HP	VOLTAGE
7.5 HP (5.6 kw)	120V AC 1
15 HP(11.19 kw)	200-240V AC 1
30 HP (22.37 kw)	480V AC 1
30 HP(22.37 kw)	200-240V AC 3
50 HP(37.28 kw)	480V AC 3
50 HP(37.28 kw)	600V AC 3

1	RELEASED PER DCN24232	CAC	8/8/18
REV	DESCRIPTION	APP	DATE

THE DESIGN AND DIMENSIONS OF THE PRODUCT SHOWN ON THIS DRAWING ARE SUBJECT TO CHANGE WITHOUT NOTICE. DIMENSIONS ARE IN INCHES [mm].

TITLE
 60A/100A CIRCUIT LOCK DISCONNECT SWITCH W/LED SWITCH/AUX. CONTACT



TOLERANCES UNLESS OTHERWISE SPECIFIED .XX = ± .01 .XXX = ± .005 ANGLE TOL. ±2'	DR. BY CAC	SCALE 1 / 3
	CHK. BY CAC	DATE 07/16/18