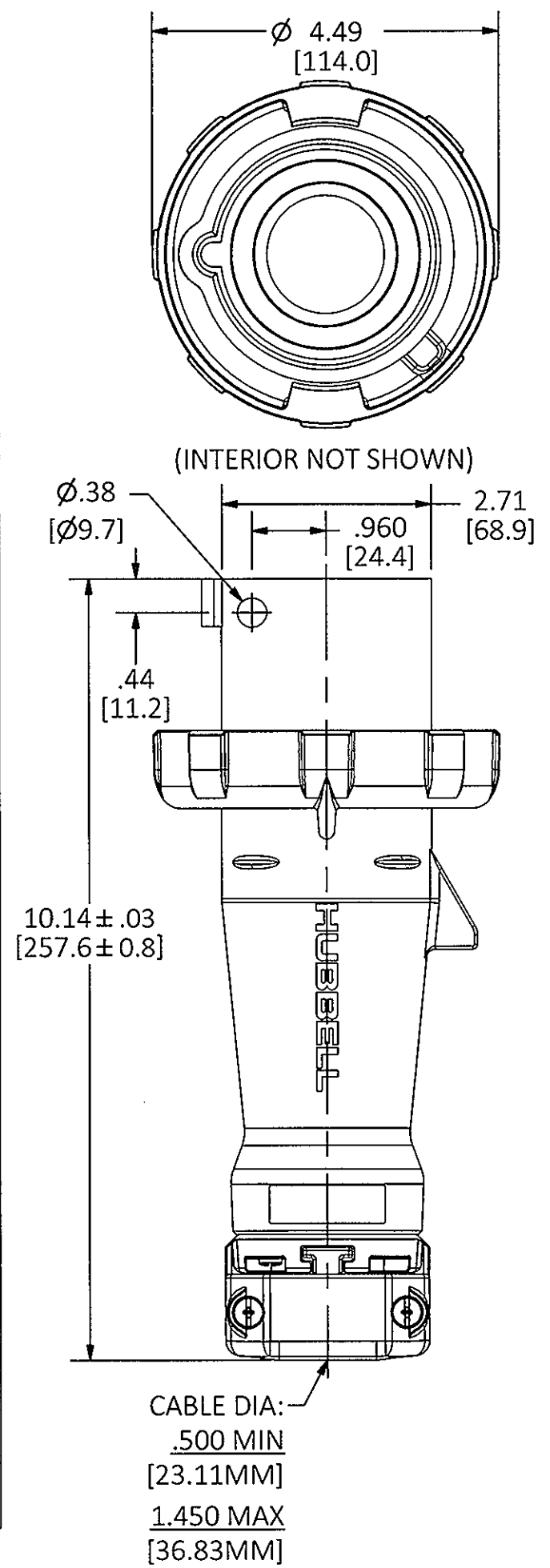


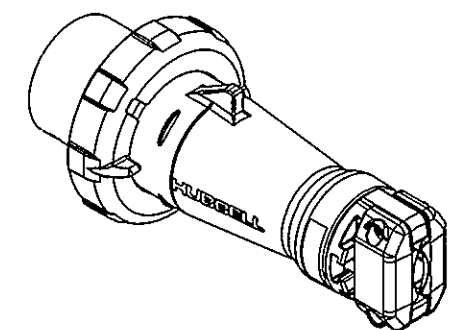
M-13332

1

CAT. NO.	CONFIG.	RATING	HOUSING COLOR	PILOT
HBL460P5W		60A 600VAC 3Ø	BLACK	NO
HBL460P5WP		60A 600VAC 3Ø	BLACK	YES
HBL460P5WR		60A 600VAC 3Ø	BLACK	NO
HBL460P6W		60A 380-415VAC 3Ø 63A - 6h/380-415V~	RED	NO
HBL460P6WP		60A 380-415VAC 3Ø 63A - 6h/380-415V~	RED	YES
HBL460P6V02		60A 380-415VAC 3Ø 63A - 6h/380-415V~	RED	NO
HBL460P7W		60A 480VAC 3Ø	RED	NO
HBL460P7WP		60A 480VAC 3Ø	RED	YES
HBL460P7V05		60A 480VAC 3Ø	RED	NO
HBL460P7WR		60A 480VAC 3Ø	RED	NO
HBL460P9W		60A 250VAC 3Ø 63A - 9h/200-250V~	BLUE	NO
HBL460P9WP		60A 250VAC 3Ø 63A - 9h/200-250V~	BLUE	YES
HBL460P9V05		60A 250VAC 3Ø 63A - 9h/200-250V~	BLUE	NO
HBL460P9WR		60A 250VAC 3Ø	BLUE	NO
				
HBL460P12W		60A 125/250VAC	ORANGE	NO
HBL460P12WP		60A 125/250VAC	ORANGE	YES
HBL460P12WR		60A 125/250VAC	ORANGE	NO
				




LIST OF PARTS		
DESCRIPTION	MATERIAL	FINISH
HOUSING	PBT	
GASKET	RUBBER	
LOCKING RING	PBT	
INTERIOR	THERMOSET	
PINS	BRASS	
TERM. SCREWS	ST. STEEL	
GLAND CAP	PBT	
GLANDS	RUBBER	
CLAMPS	PBT	
CLAMP NUTS	BRASS	NICKEL
ASSY SCREWS	ST. STEEL	



REV	DESCRIPTION	APP	DATE
1	INITIAL RELEASE PER DCN 21982 Mr. B. [Signature]	TLS	3/10/16

THE DESIGN AND DIMENSIONS OF THE PRODUCT SHOWN ON THIS DRAWING ARE SUBJECT TO CHANGE WITHOUT NOTICE. DIMENSIONS ARE IN INCHES [mm].

TITLE
60A & 63A 3 POLE 4 WIRE PIN AND SLEEVE PLUGS

		WIRING DEVICE-KELLEMS HUBBELL INCORPORATED SHELTON, CT	
TOLERANCES UNLESS OTHERWISE SPECIFIED .XX = ± .01 .XXX = ± .005 ANGLE TOL. ± 2'	DR. BY Mr. B	SCALE 1:2	
	CHK. BY TLS	DATE 3/2/16	

DIMENSION SHEET FOR CAT. NO. SEE TABLE

B

M-13332

1