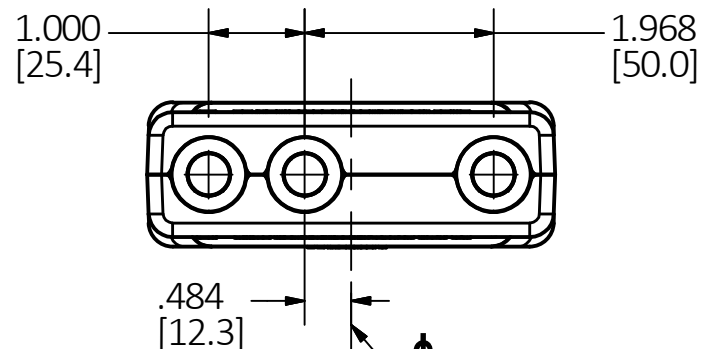
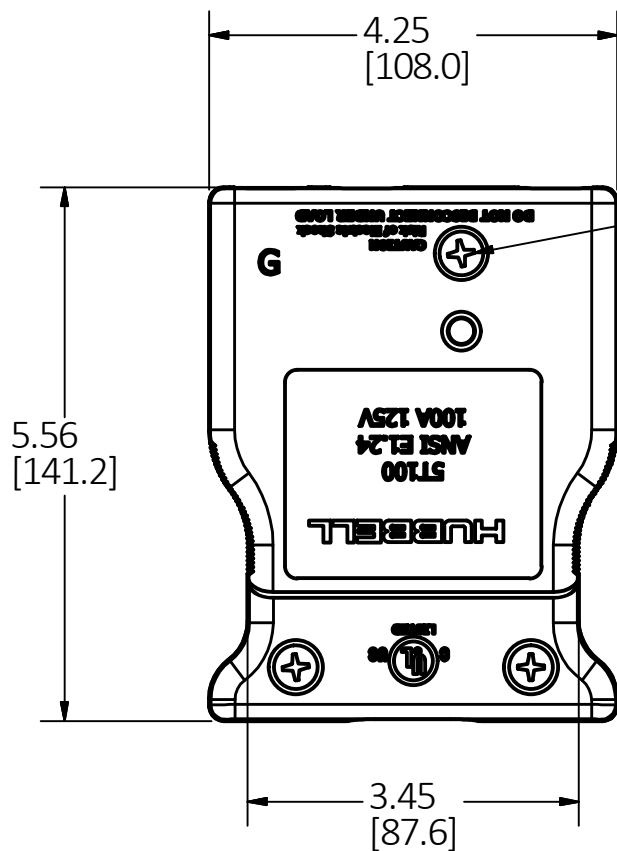


M-13765

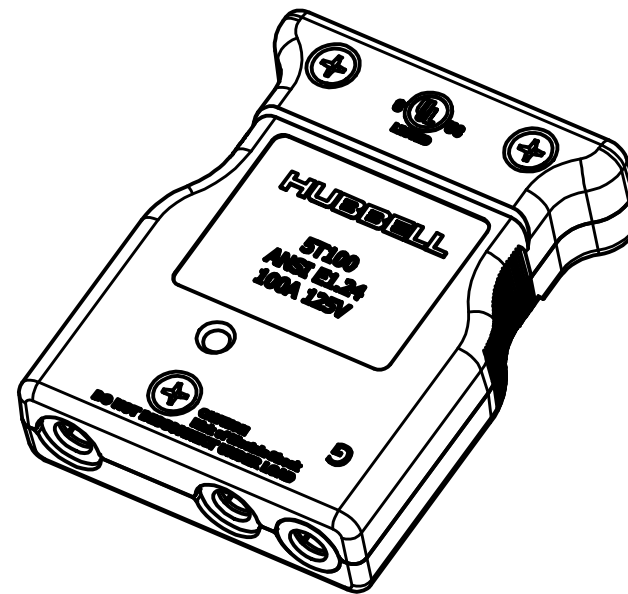
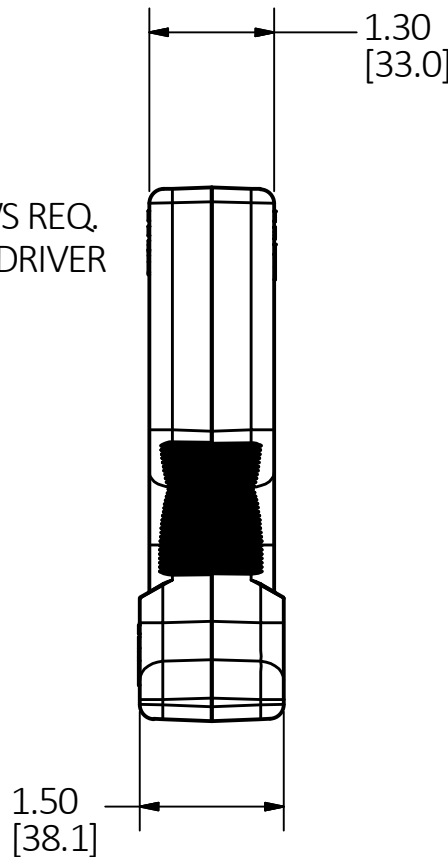
1



☉ CENTER LINE OF PART



ASSY SCREWS REQ.
PHILLIPS #3 DRIVER



LIST OF PARTS

DESCRIPTION	MATERIAL	FINISH
TOP	NYLON	BLACK
BOTTOM	NYLON	BLACK
FEMALE SLEEVES	BRASS	
THERMOSET SLEEVES	PHENOLIC	BLACK
STRAIN RELIEFS	NYLON	BLACK
ASSY. SCREWS	THD. FORMING	BLACK
WIRE FERRULE	COPPER	TIN PLATED
TERM. SCREWS	STAINLESS STEEL	

DIMENSION SHEET FOR CAT. NO. HBL100SPF

B

M-13765

1

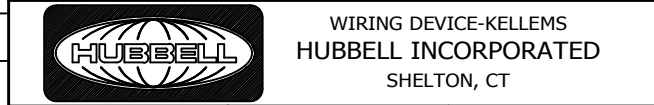
- NOTES: UNLESS OTHERWISE SPECIFIED:
1. DIMENSIONS ARE IN INCHES [mm] AND ARE FOR REFERENCE ONLY.
 2. cULus Listed.
 3. MEETS ESTA CONFIGURATION TYPE 5T100, ANSI E1.24 STANDARD.
 4. ELECTRICAL RATING: 100A 125V.
 5. CABLE RANGE #2AWG OR #4AWG - (GROUNDING WIRE #6AWG MINIMUM).
 6. FERRULE SIZES #2, #4 AND #6 INCLUDED.

1	NEW RELEASE PER DCN 23458 CAC		11-29-17
REV	DESCRIPTION	APP	DATE

TABLE	
CABLE TYPES	NUMBER OF STRAIN RELIEF INSERTS
(2) #4SC + (1)#6SC GRN	2
(4) #4SC + (2)#6SC GRN	1
(2)#2SC + (1)#6SC GRN	2
#6/3C TYPE W	1
#4/3C TYPE SOOW	1

THE DESIGN AND DIMENSIONS OF THE PRODUCT SHOWN ON THIS DRAWING ARE SUBJECT TO CHANGE WITHOUT NOTICE. DIMENSIONS ARE IN INCHES [mm].

TITLE
100A (125V) STAGE PIN IN-LINE FEMALE



TOLERANCES UNLESS OTHERWISE SPECIFIED .XX = ±.01 .XXX = ±.005 ANGLE TOL. ±2°	DR. BY CAC	SCALE 1/2
	CHK. BY	DATE 10-26-17