



HUBBELL iStation Audio Video Connectors, 3.5mm Stereo Jacks, Solder

Seamless Hubbell System Integration.

Universal Keystone Design fits in all Hubbell Products.

Standard 3.5mm Stereo Jack.

Use with Mono and Stereo Audio Applications.

Solder connection.



High-performance, Nickel-plated 3.5mm stereo jack.

High-impact, flame-retardant polymer.

SPECIFICATIONS

- ◆ **Connector:**
 - Body: Brass
 - Plating: Nickel 100µ"
- ◆ **Material:**
 - Housing: Flame Retardant Polymer (UL 94V-0)

CABLE TERMINATION

Cable Type: 22-30 AWG 2 conductor, with shield (served bare copper shield preferred).

Connector

Tip: Square copper terminal.
 Ring: Round, Nickel-plated terminal.

CONNECTOR TERM

3.5mm Stereo Connections - TS and TRS (Phono style jacks and plugs) connections are available in three standard sizes 1/4", 3.5mm or miniature and 2.5 mm or subminiature. The 3.5mm is also referred to as 1/8" stereo jack. All three sizes are available in common two-conductor (mono) and three-conductor (stereo or tip ring sleeve) versions. A four conductor version of the 3.5 mm plug is used for certain output applications for compact camcorders, providing stereo audio and video signal. This interface is also seen on some laptop computers.

INSTALLATION TIPS

Soldering tips: Cleanliness - Temperature - Time - Solder Coverage - These key factors affect the quality of the joint. A little effort spent in soldering a perfect joint will eliminate a considerable amount of time in troubleshooting a defective joint in the future.

Important: Always allow for clearance behind connection location to ensure for proper bend radius.

Hubbell's 3.5mm Stereo Jack is the perfect solution for distributing audio signals to-and-from components. Today's computers and portable electronic devices have standardized on the 3.5mm stereo jack for audio and microphone inputs and outputs. Having this style connection in the work area has become a requirement.

Requiring wall side soldering, these connectors install with a "snap" and provide a quick plug in style termination. Hubbell's 3.5mm Stereo Jacks are available in 7 standard Hubbell colors and flush mount into all iSTATION™ face plates, modules, frames, surface housings, and UDX multimedia Panels.

Create a customized multimedia work station solution by adding a 3.5mm Stereo Jack along with Hubbell's other AV modules or XCELERATOR™ jacks.

APPLICATIONS SUPPORTED

- Laptop and desktop computers.
- Projectors, flat panel monitors.
- CD/DVD/DVR/MP3/media players, game machines.
- PDAs and mobile devices.

DEFINITION: Tip/Ring/Sleeve

1. Sleeve: usually ground.
2. Ring: Right channel for stereo signals, negative phase for balanced mono signals.
3. Tip: Left channel for stereo signals, positive phase for balanced mono signals, signal line for unbalanced mono signals.
4. Insulating rings.



	Unbalanced	Balanced	Stereo
Tip	Signal	Positive "Hot"	Left Channel
Ring	Not available	Negative "Cold"	Right Channel
Sleeve	Ground Return	Ground	Ground

AV Connectors, 3.5mm Stereo Jacks, Solder



Qty.	1-pack	10-pack	100-pack
Catalog No.	SF35SJXX	35SJ10	35SJ100
Office White	SF35SJ		

XX = Housing Colors

"AL" = Almond; "BK" = Black; "EI" = Electric Ivory; "GY" = Gray;
 "LA" = Light Almond; "W" = White.

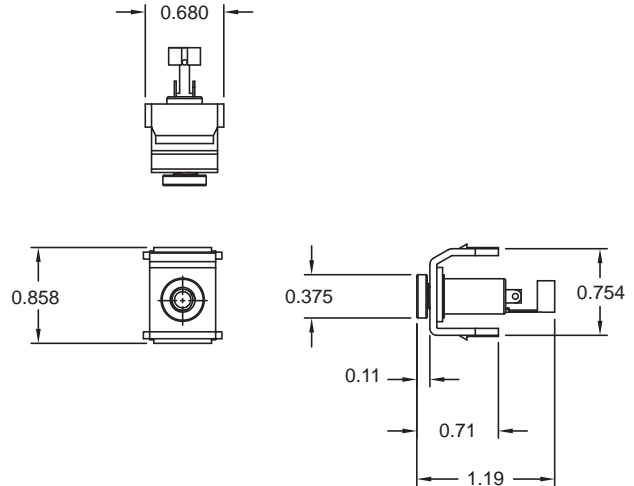
AV Connector, 1/4" Stereo Jacks, Solder

Catalog No.	1-pack	SF14SJXX
-------------	--------	-----------------

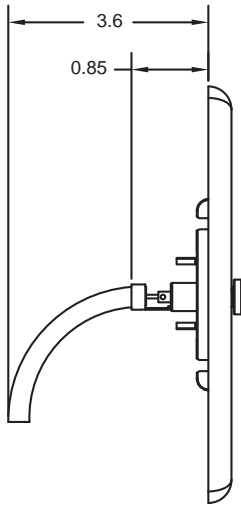
XX = Housing Colors

"AL" = Almond; "BK" = Black; "EI" = Electric Ivory; "GY" = Gray;
 "LA" = Light Almond; "OW" = Office White; "W" = White.

DIMENSIONS



CONNECTOR DEPTH CHART



iSTATION™ COMPATIBLE

Work Station and Cross-Connect Solutions

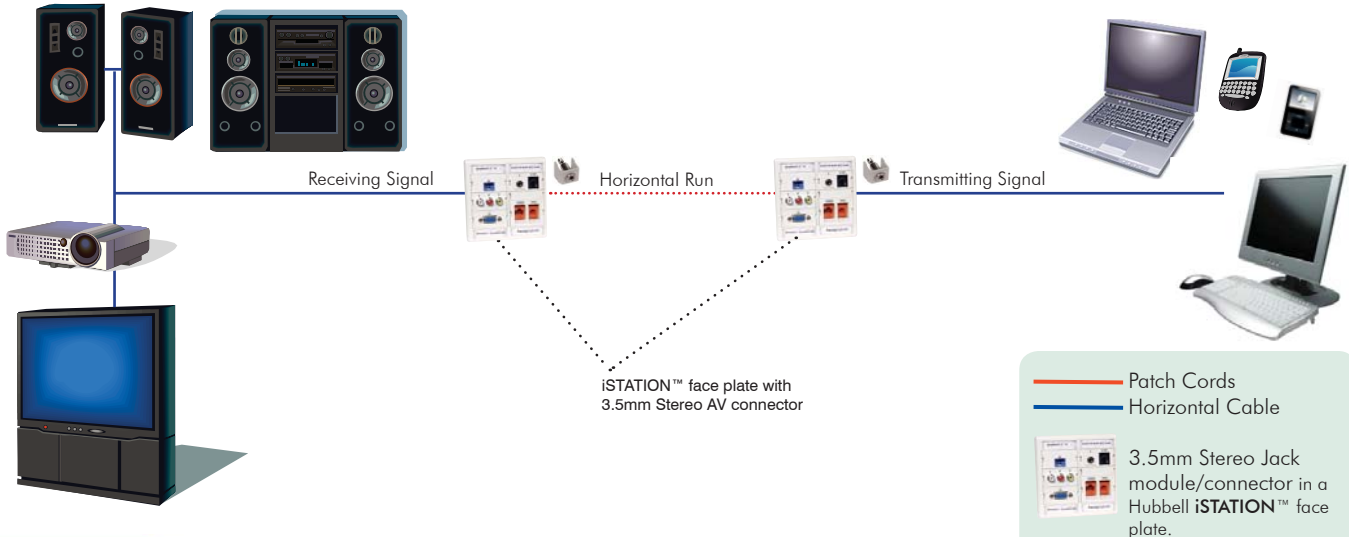
- Front and Rear-loading Plates
- Duplex and Decorator Frames
- ISM Surface Mount Boxes
- UDX Multimedia Panels (except 1U-48)
- netSELECT™: Residential Network Solution
- iFRAME® Vertical Patch Panel

Hubbell Delivery System

- Hubbell SystemOne Poke-Throughs and Floor Boxes
- Hubbell Surface Raceway, Metal and Non-Metallic
- Multi-Connect™ Wall Boxes/Conference Table Boxes
- Power Poles



TYPICAL APPLICATIONS



Hubbell Premise Wiring

HUBBELL INCORPORATED (Delaware)
 14 Lord's Hill Road • Stonington, CT 06378-0901 • (860) 535-8326 • 800-626-0005
 Fax: (860) 535-8328 • Internet site: <http://www.hubbell-premise.com>

Worldwide Locations

Hubbell Premise Wiring, Asia Pacific
 Hubbell Canada Inc.
 Hubbell Premise Wiring, Central America
 Hubbell Premise Wiring, China
 Hubbell Premise Wiring, Europe
 Hubbell Premise Wiring, India
 Hubbell Int'l. Inc., Korea Branch

852-2836-7131
 905-839-1138
 506-309-4158
 86-21-6374 2660
 44-01283 500500
 91-80-4022-4089
 (82 2) 2607 1363

Fax: 852-2836-7132
 Fax: 905-839-9108
 Fax: 506-260-1616
 Fax: 86-21-6374 2799
 Fax: 44-01283 500400
 Fax: 91-80-4022-4033
 Fax: (82 2) 2603 7386

Hubbell Premise Wiring, Latin America
 Hubbell de Mexico, S.A. de C.V.
 Hubbell Premise Wiring, Middle East
 Hubbell Premise Wiring, Puerto Rico
 Hubbell-Taian Co., Ltd., Taiwan
 Hubbell Premise Wiring, Venezuela

305-408-4501
 (5255) 9151-9999
 971-4-393-4192
 787-855-1075
 886-2-2522-1862
 58-212-5156482

Fax: 305-408-8201
 Fax: (5255) 9151-9989
 Fax: 971-4-393-4194
 Fax: 787-855-3265
 Fax: 886-2-2522-1872
 Fax: 58-212-6627258