



iSTATION™ Front-Loading Footprint.

Seamless Hubbell System Integration.

Transmits Quality Audio/Video Signals.

110-Style Termination (UTP).

SPECIFICATIONS

- ◆ **Connector:**
 - Connector Body: Brass.
 - Plating: Nickel 100μ"
 - Contact: Nickel over Phosphorous Bronze
- ◆ **Performance:**
 - Distance:
 - S-Video: Maximum 100'
 - Audio RCA: Maximum 100'
 - Mating Cycles: 500+
- ◆ **Material:**
 - Module: Flame-retardant Polymer UL 94V-0.
- ◆ **Insulator Color:** Red and White.

CABLE TERMINATION

- Cable Type:**
- 110 IDC's: 24 AWG UTP
Cat 3, 5, 5e, 6, 6A
 - RCA: Male RCA Plug (Patch Cord)
 - S-Video: Male S-Video Plug (Patch Cord)

CONNECTOR TERM

RCA Connector: The standard connector used in line-level consumer and studio sound equipment. RCA connectors supply unbalanced signal and are used in almost all systems and between almost all audio/video components. They are used for inter-connecting Composite, Component and Digital coaxial audio video signals.

S-Video or Y/C: is designed to transmit video information by dividing the signal into two separate signals, (Chrominance) for color, and (Luminance) for brightness. This process increases clarity and sharpness. By separating the two signals it prevents the signal from color bleeding and/or dot crawling.

HUBBELL iStation AV Modules, 110 S-Video RCA Audio

Standard 110-type UTP termination.



Deliver S-Video and audio signals.

High impact, flame-retardant Polymer.

Hubbell's iSTATION™ 110 RCA/S-Video modules deliver high quality A/V signals to any workstation or transmitting/receiving device. The RCA/S-Video 110 modules utilize UTP cable (Category 3, 5, 5e, 6, 6A) to deliver S-video/audio signals within a horizontal point-to-point run.

iSTATION™ RCA/S-Video 110 modules are available in 7 standard colors and front loads into any iSTATION™ product, Hubbell Delivery System products including poke-throughs and surface raceway, or UDX multimedia panels to distribute S-Video/audio signals. Requiring no soldering, these connectors install with a snap.

Create a customized multimedia work station by adding an iSTATION™ RCA/S-Video 110 module along with Hubbell's extensive line of AV connectors, loaded modules and XCELERATOR™ jacks.

APPLICATIONS SUPPORTED

- S-Video with audio distribution.
- TV, CCTV, CATV and satellite.
- Home theater and entertainment systems.
- Cameras, camcorders and projectors.
- Security and surveillance systems.

INSTALLATION TIPS

Termination: Station side of connection is a 110 style punch down. Place the module into the termination puck before lacing/termination for stability. Simply lace in pair 1 and 2 S-Video and pair 3 and 4 Composite Audio of UTP into the designated areas of the 110 IDC block. The key practice is to use the same pair/pairs on each side of the horizontal run. Also use the same pair color combinations for each application (Composite, Component, Left and Right Audio, 3.5mm and S-Video).



iSTATION™ 110, RCA, S-Video, AV Modules

See RCA Insulator Color Chart below for applications.



Description

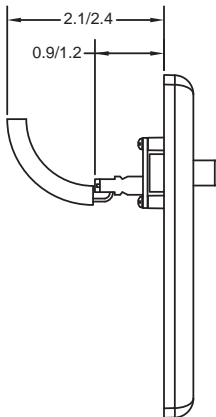
Catalog No.

RCA (2) S-Video, 110-Style Termination Module **IMSR1101XX**
XX = Color: "AL" = Almond; "BK" = Black; "EI" = Electric Ivory;
 "GY" = Gray; "LA" = Light Almond; "OW" = Office White;
 "W" = White.

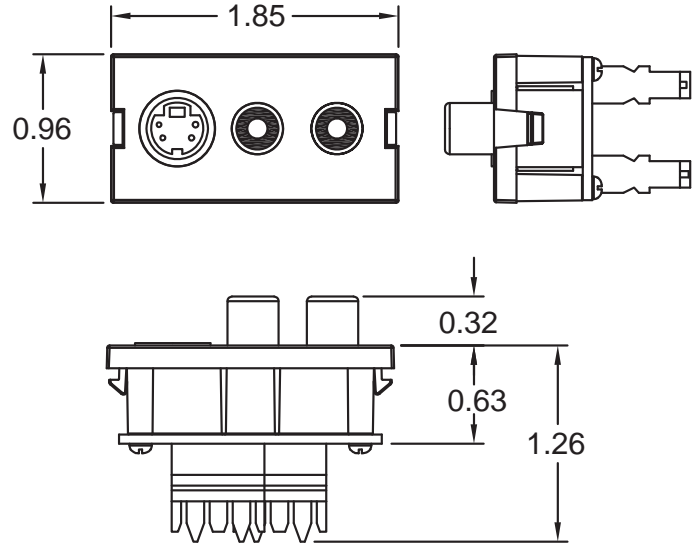
RCA INSULATOR COLOR: APPLICATIONS

Color	Audio	Video
Red	Right Signal	Component - Red (Pr/Cr)
White	Left Signal	
Yellow		Composite
Blue		Component - Blue (Pb/Cb)
Green		Component - Green (Y)
Black	Mono/Right	
Orange	Digital (S/PDIF)	Digital (S/PDIF)

CONNECTOR DEPTH CHART



DIMENSIONS



iSTATION™ COMPATIBLE

Work Station and Cross-Connect Solutions

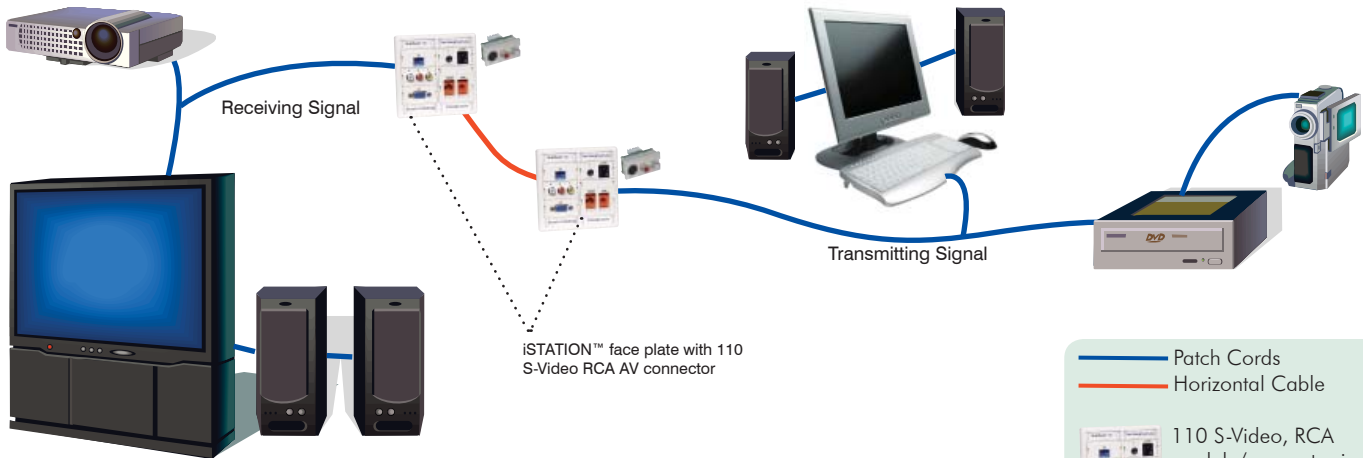
- iSTATION™ front-loading plates
- UDX iSTATION™ Multimedia Panels
- iFRAME® Vertical Patch Panel

Hubbell Delivery System

- Hubbell SystemOne Poke-Thrus and Floor Boxes
- Hubbell Surface Raceway, Metal and Non-Metallic
- Multi-Connect™ Wall Boxes/Conference Table Boxes



TYPICAL APPLICATION



- Patch Cords
- Horizontal Cable



110 S-Video, RCA module/connector in a Hubbell iSTATION™ face plate.



Hubbell Premise Wiring

HUBBELL INCORPORATED (Delaware)
 14 Lord's Hill Road • Stonington, CT 06378-0901 • (860) 535-8326 • 800-626-0005
 Fax: (860) 535-8328 • Internet site: <http://www.hubbell-premise.com>

Worldwide Locations

Hubbell Premise Wiring, Asia Pacific
 Hubbell Canada Inc.
 Hubbell Premise Wiring, Central America
 Hubbell Premise Wiring, China
 Hubbell Premise Wiring, Europe
 Hubbell Premise Wiring, India
 Hubbell Int'l. Inc., Korea Branch

852-2836-7131
 905-839-1138
 506-309-4158
 86-21-6374 2660
 44-01283 500500
 91-80-4022-4089
 (82 2) 2607 1363

Fax: 852-2836-7132
 Fax: 905-839-9108
 Fax: 506-260-1616
 Fax: 86-21-6374 2799
 Fax: 44-01283 500400
 Fax: 91-80-4022-4033
 Fax: (82 2) 2603 7386

Hubbell Premise Wiring, Latin America
 Hubbell de Mexico, S.A. de C.V.
 Hubbell Premise Wiring, Middle East
 Hubbell Premise Wiring, Puerto Rico
 Hubbell-Taian Co., Ltd., Taiwan
 Hubbell Premise Wiring, Venezuela

305-408-4501
 (5255) 9151-9999
 971-4-393-4192
 787-855-1075
 886-2-2522-1862
 58-212-5156482

Fax: 305-408-8201
 Fax: (5255) 9151-9989
 Fax: 971-4-393-4194
 Fax: 787-855-3265
 Fax: 886-2-2522-1872
 Fax: 58-212-6627258