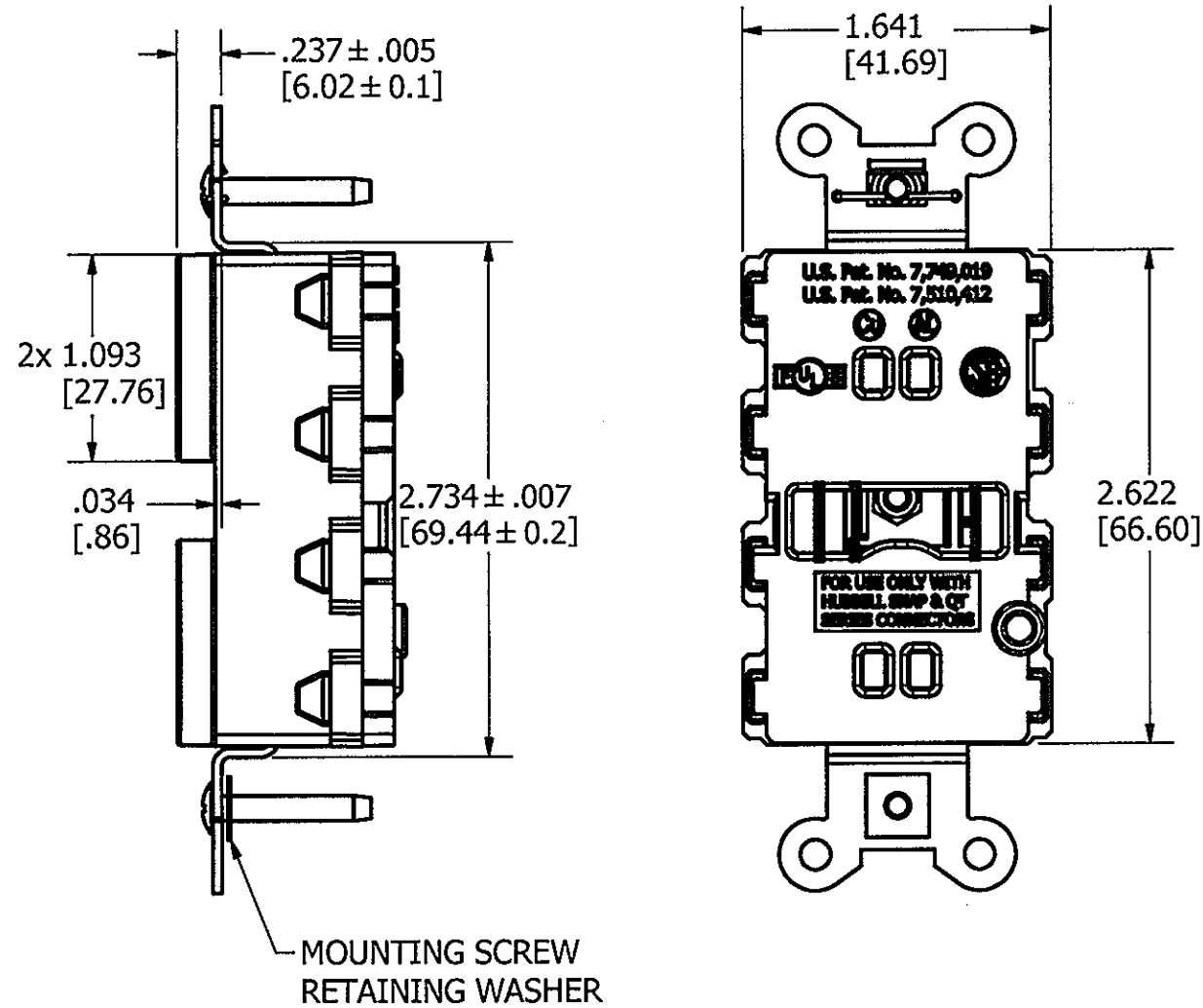
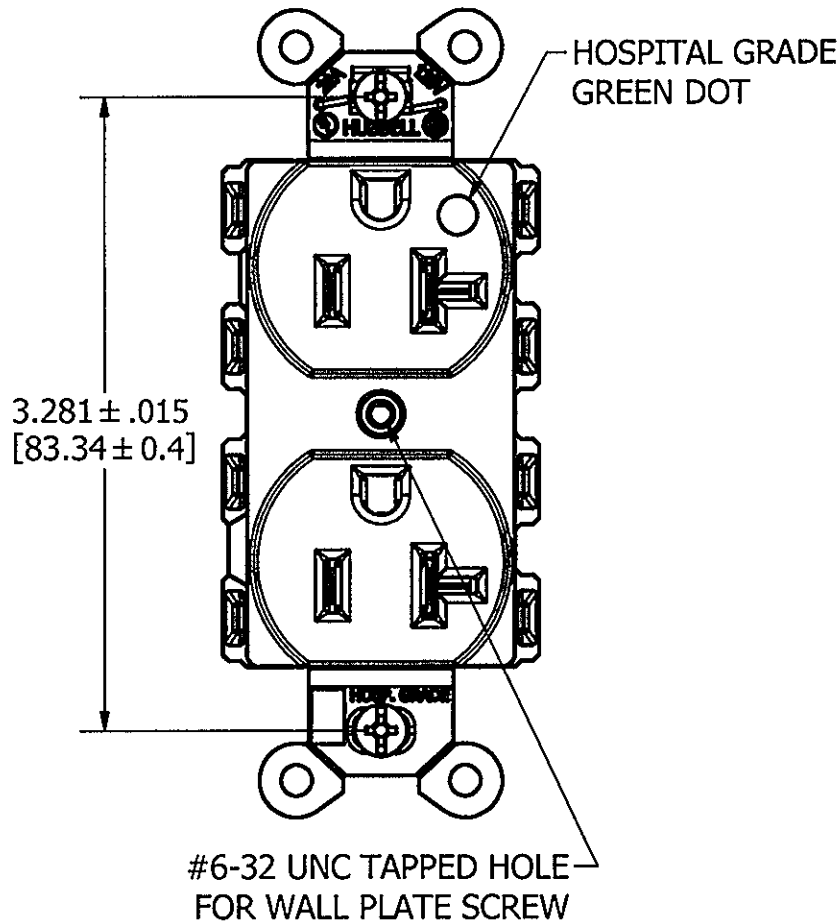


M-12381 2



LIST OF PARTS		
DESCRIPTION	MATERIAL	FINISH
TOP	NYLON 6/6	SPI A-3
BASE	NYLON 6/6	SPI A-3
LINE CONTACTS	BRASS	
GROUND CONTACT	BRASS	
BRIDGE	.04 GALV STL	
STAPLE WASHER	S.S.	
MOUNTING SCREWS	STEEL	ZINC PLT

DIMENSION SHEET FOR CAT. NO.

REPAIRABLE  NON-REPAIRABLE

2	01/17/2013 UPDATED FOR NEW LOCATION OF HG "DOT" PER DCN19283 EB	TLS	TLS
SYM	DESCRIPTION	APPRO	DATE

**B**

RATING	BROWN	IVORY	GRAY	WHITE	BLACK	ALMOND	LIGHT ALMOND	OFFICE WHITE	ORANGE	RED	BLUE
15A	SNAP8200NA	SNAP8200INA	SNAP8200GYNA	SNAP8200WNA	SNAP8200BKNA	--	SNAP8200LANA	--	--	SNAP8200RNA	SNAP8200BLNA
20A	SNAP8300NA	SNAP8300INA	SNAP8300GYNA	SNAP8300WNA	SNAP8300BKNA	--	SNAP8300LANA	--	--	SNAP8300RNA	SNAP8300BLNA

THE DESIGN AND DIMENSIONS OF THE PRODUCT SHOWN ON THIS DRAWING ARE SUBJECT TO CHANGE WITHOUT NOTICE

**M-12381**

**TITLE**  
 DUPLEX RECEPTACLE, 15/20A 125V  
 HOSPITAL GRADE,  
 NON IG & TR & LED

**NOTES:**  
 1. DIMENSIONS ARE IN INCHES [MM].  
 2. ALL DEVICES UL LISTED AND CSA CERTIFIED.

TOLERANCES UNLESS OTHERWISE SPECIFIED	FRACTIONS	±1/64	WIRING DEVICE-KELLEMS HUBBELL INCORPORATED SHELTON, CT	
	DECIMALS	±.005		DR. BY <b>ebazayev</b> APP. BY <b>TLS</b>
	ANGLES	±2°	TR. BY	SCALE
			CHK'D BY <b>TLS</b>	DATE <b>1/10/2013</b>

**2**