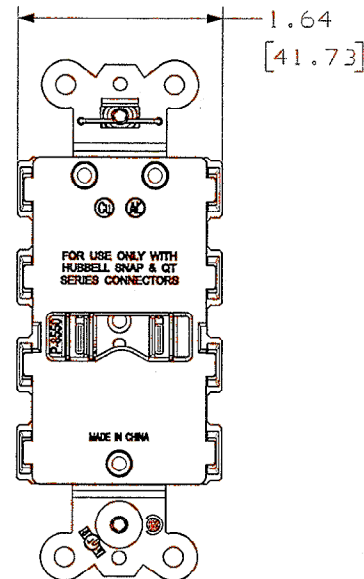
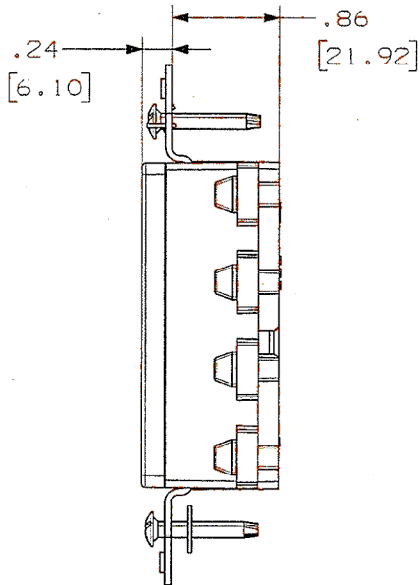
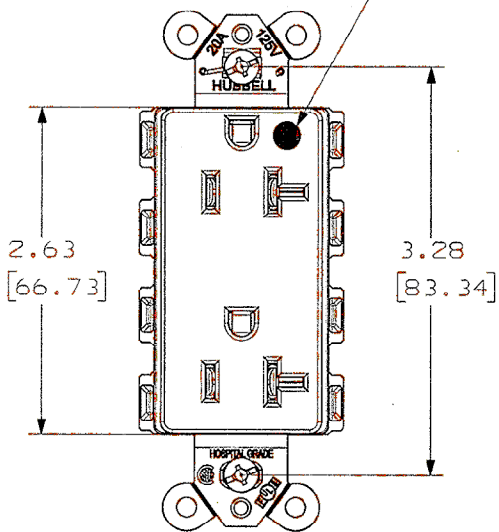


M-12035 1

GREEN DOT ON HOSPITAL GRADE ONLY



LIST OF PARTS		
DESCRIPTION	MATERIAL	FINISH
BODY	NYLON	SEE TABLE
BASE	NYLON	
LINE CONTACTS	BRASS	
GROUND CONTACT	BRASS	
BRIDGE	SEE NOTES	SEE NOTES
DRIVE SCREWS	ST. STEEL	
RIVETS	BRASS	
MOUNTING SCREWS	STEEL	ZINC PLATE
GROUNDING CLIP	ST. STEEL	
WASHER	FIBER	

REPAIRABLE <input type="checkbox"/>	NON-REPAIRABLE <input checked="" type="checkbox"/>
-------------------------------------	--

1 RELEASE FOR PRODUCTION PER DCN 18212 C. Z 09/15/2011 1725

THE DESIGN AND DIMENSIONS OF THE PRODUCT SHOWN ON THIS DRAWING ARE SUBJECT TO CHANGE WITHOUT NOTICE

TITLE
SNAPCONNECT, HUBBELL
DECO RECEPTACLE

TOLERANCES UNLESS OTHERWISE SPECIFIED	WIRING DEVICE-KELLEMS HUBBELL INCORPORATED BRIDGEPORT, CT	
FRACTIONS : 1/64	DR. BY F.H	APP. BY C.Z
DECIMALS : .005	TR. BY	SCALE 1#1
ANGLES : 2'	CHK'D BY C.Z	DATE 6/20/2011

CATALOG NO		COLOR	CONFIGURATION	RATING
STANDARD	HOSPITAL			
SNAP2152A	SNAP2172A	BROWN	NEMA 5-15R 	15A 125V
SNAP21521A	SNAP21721A	IVORY		
SNAP2152GYA	SNAP2172GYA	GREY		
SNAP2152RA	SNAP2172RA	RED		
SNAP2152WA	SNAP2172WA	WHITE		
SNAP2152BKA	SNAP2172BKA	BLACK		
SNAP2152ALA	SNAP2172ALA	ALMOND	NEMA 5-20R 	20A 125V
SNAP2152LAA	SNAP2172LAA	LIGHT ALMOND		
SNAP2162A	SNAP2182A	BROWN		
SNAP21621A	SNAP21821A	IVORY		
SNAP2162GYA	SNAP2182GYA	GREY		
SNAP2162RA	SNAP2182RA	RED		
SNAP2162WA	SNAP2182WA	WHITE		
SNAP2162BKA	SNAP2182BKA	BLACK		
SNAP2162ALA	SNAP2182ALA	ALMOND		
SNAP2162LAA	SNAP2182LAA	LIGHT ALMOND		

- NOTES: UNLESS OTHERWISE SPECIFIED
1. ALL CATALOG NOS ARE FED SPEC, UL AND CSA CERTIFIED
 2. HOSPITAL GRADE SUPPLIED WITH BRASS BRIDGE AND DRIVE SCREWS, STANDARD GRADE SUPPLIED WITH ZINC PLATED STEEL BRIDGE WITHOUT DRIVE SCREWS
 3. ALL DIMENSIONS ARE IN INCHES (mm).

CODE 74545

DIMENSION SHEET FOR CAT. NO. SEE TABLE

REPAIRABLE NON-REPAIRABLE

B

M-12035

1