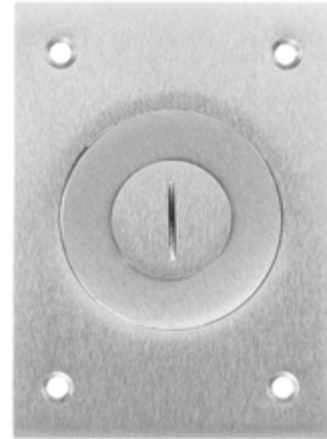


**Floor Boxes  
Accessories  
Covers**



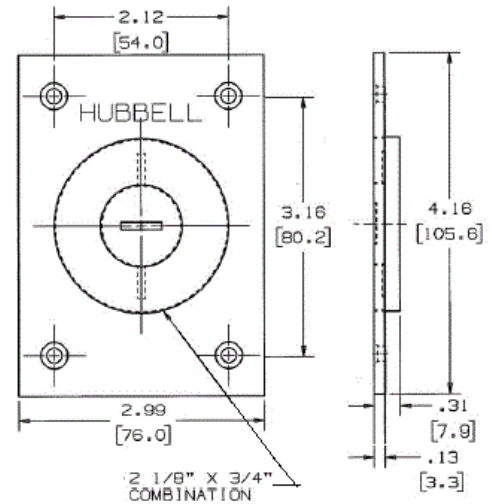
**Ordering Information**

Description	Material	UPC	Catalog Number
One cover required per	Aluminum	783585129600	SA2425



**Specifications**

Cover Style	Rectangular
Cover Finish	Aluminum
Cover Opening	2 1/8" x 3/4"
Dimensions	4.15" x 2.99"



**Online Resources**

- Customer Use Drawing
- eCatalog
- Installation Instructions

Dimensions in Inches (mm)

Hubbell Wiring Device-Kellems • Hubbell Incorporated (Delaware) • 40 Waterview Drive • Shelton, CT 06484

Phone (800) 288-6000 • Fax (800) 255-1031 • Specifications subject to change without notice.

