

## Wire Management Products

### Cord and Cable Reels

## Weatherproof Cord Reels

# HUBBELL

### Features

- Durable, Corrosion Resistant Cast Aluminum Construction
- UL Type 4
- Multi-Position Guide Arm can be mounted in two different positions
- Positive Latch mechanism automatically maintains desired cord length
- Ratchet Lock can be disengaged in field for constant tension applications



### Ordering Information

| Description  | UPC          | Catalog Number |
|--|--------------|----------------|
| Yellow Weatherproof Reel, UL Type 4, 45 Ft, #14/4 SOW, 15 A, 600 VAC | 783585585734 | HBLW45144      |

### Listings

cULus Listed

### Specifications

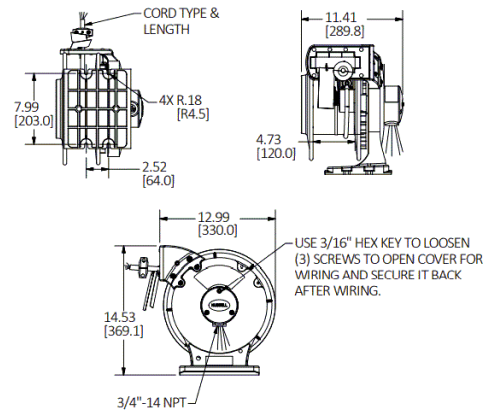
|                    |               |
|--------------------|---------------|
| Spool              | Aluminum      |
| Guide Frame        | Thermoplastic |
| Cord               | Copper        |
| Internal Terminals | Copper Alloy  |
| Ball Stopper       | Thermoplastic |
| Fitting            | Aluminum      |

### Performance

|                      |         |
|----------------------|---------|
| <b>Electrical</b>    |         |
| Amperage             | 15 A    |
| Max. Working Voltage | 600V AC |
| Number of Wires      | 4-Wire  |

### Environmental

Moisture Resistance Dry, Indoor and Wet and Damp Outdoor, Non-Hazardous Locations - UL Type 4



### Complementary Products

|                  |           |
|------------------|-----------|
| Pivot Base       | HBLI340PB |
| Mounting Bracket | HBLIMB    |
| Ball Stop        | HBLI14BS  |

### Online Resources

Customer Sales Drawing  
eCatalog  
Installation Instructions

Dimensions in Inches (mm)

Hubbell Wiring Device-Kellems • Hubbell Incorporated (Delaware) • 40 Waterview Drive • Shelton, CT 06484

Phone (800) 288-6000 • Fax (800) 255-1031 • Specifications subject to change without notice.

