

Weatherproof Plates & Covers

Weatherproof Stainless Steel Covers

HUBBELL

Features

- Heavy Duty 316 Stainless Steel
- Duplex & GFI Versions
- Horizontal & Vertical Mounting Positions
- Polished finish to increase corrosion resistance and aesthetic appearance

Ordering Information

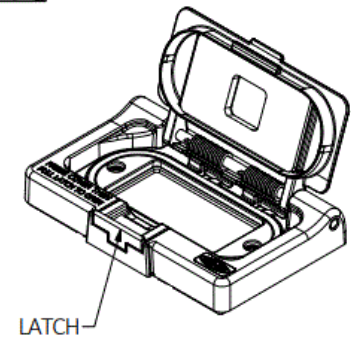
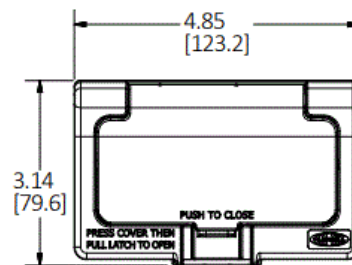
Description	UPC Number	Catalog Number
1 Gang, Stainless Steel GFCI Cover, 4X	783585586663	HBLSS264X

Listings

UL
CSA

Specifications

Cover	Stainless Steel
Base	Stainless Steel
Hinge Pin	Stainless Steel
Spring	Stainless Steel
Base/Cover Gasket	Elastomer
Back Gasket	EVA Form
NEMA Type 4X	Watertight, Dusttight and Corrosion Resistant for wash-down applications



Online Resources

Customer Use Drawing
eCatalog
Installation Instructions

Dimensions in Inches (mm)

Hubbell Wiring Device-Kellems • Hubbell Incorporated (Delaware) • 40 Waterview Drive • Shelton, CT 06484

Phone (800) 288-6000 • Fax (800) 255-1031 • Specifications subject to change without notice.

