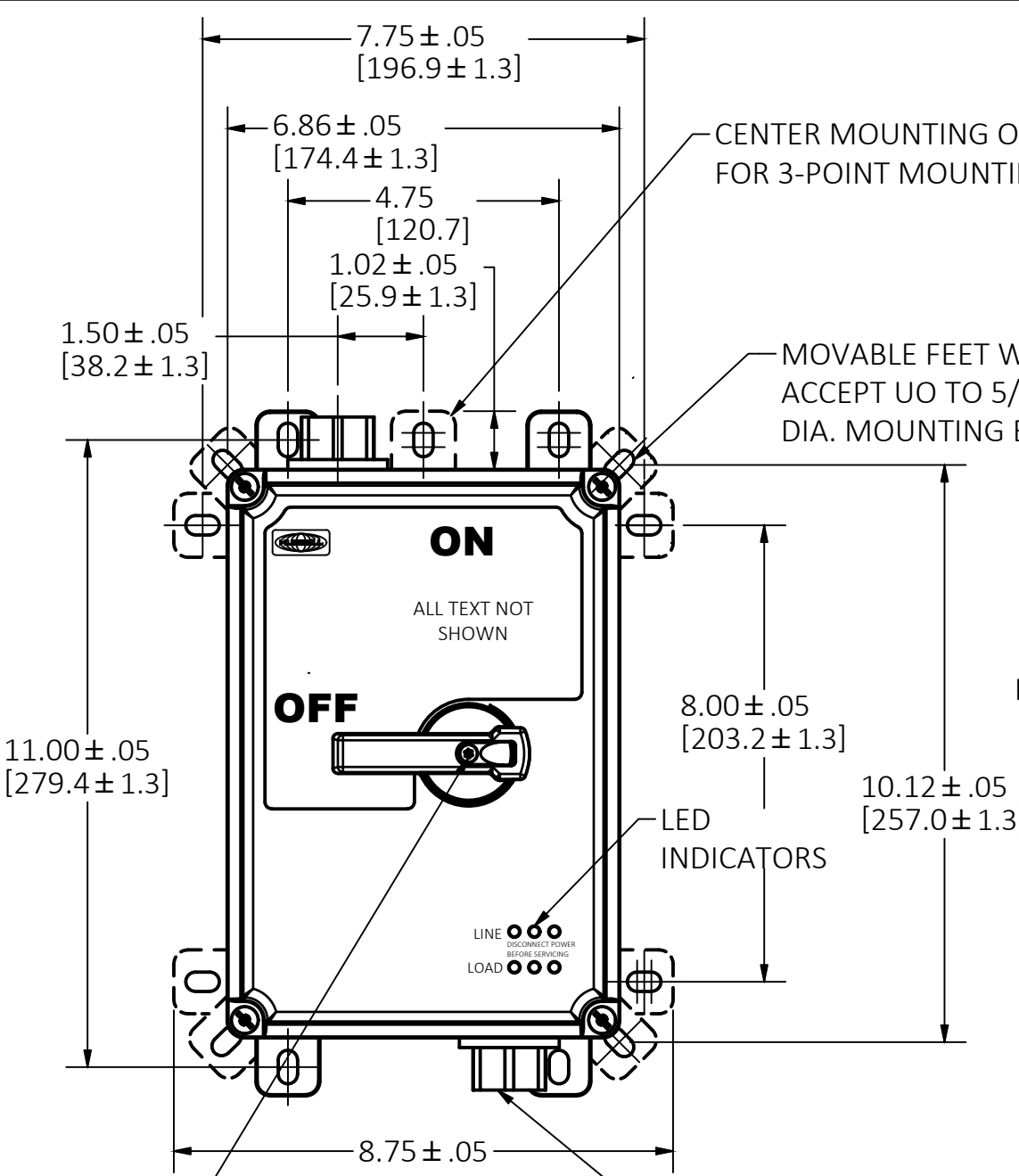


M-13914

1

DIMENSION SHEET FOR CAT. NO. HBLDS6P, HBLDS10P



CENTER MOUNTING OPTION FOR 3-POINT MOUNTING

MOVABLE FEET WILL ACCEPT UP TO 5/16" DIA. MOUNTING BOLT

2X 1-1/4" NPT FITTING SUPPLIED. PROVISION FOR TOP, BOTTOM, & BACK FEED CUSTOMER TO DRILL OR PUNCH 1-3/4" DIA. HOLE FOR CONDUIT FITTING

LOCKABLE HANDLE (OFF POSITION ONLY)

1.95 ± .05 [49.4 ± 1.3]

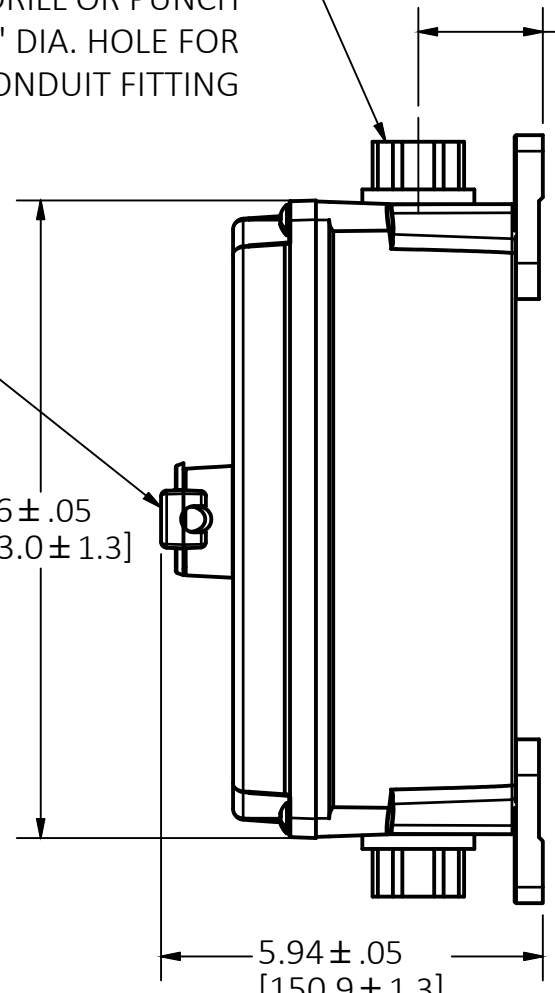
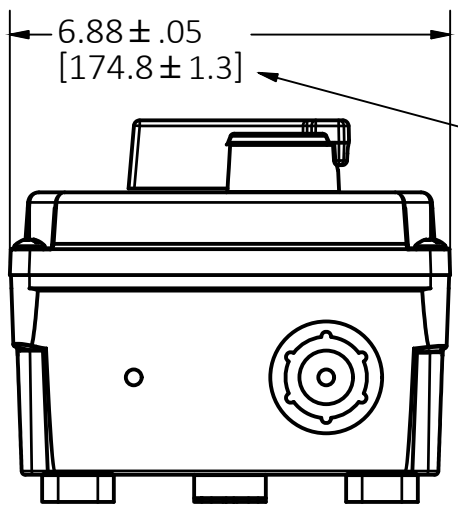
9.96 ± .05 [253.0 ± 1.3]

5.94 ± .05 [150.9 ± 1.3]

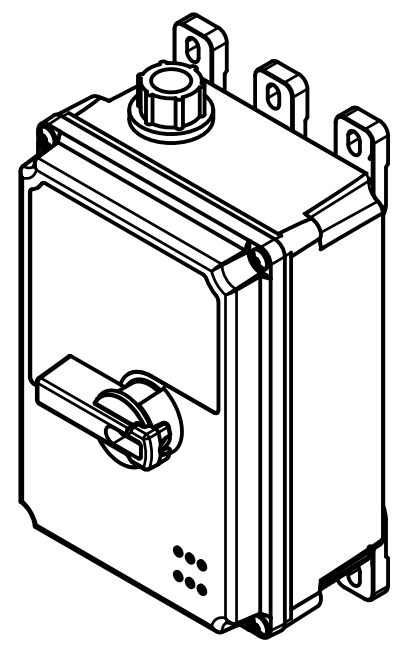
OPTIONAL CONDUIT LOCATION (FIELD CONVERTIBLE)

CAN BE MOUNTED INSIDE AN 8 IN. "I" BEAM

TAMPER RESISTANT TORX DRIVE T20 SIZE



| LIST OF PARTS              |                               |        |
|----------------------------|-------------------------------|--------|
| DESCRIPTION                | MATERIAL                      | FINISH |
| ALL EXTERNAL PLASTIC PARTS | UV STABILIZED POLYESTER BLEND |        |
| ALL EXTERNAL SCREWS        | STAINLESS STEEL               |        |
| THREADED HUB               | DIE CAST                      |        |
| INSULATED THROAT           | ZINC                          |        |
| GREEN LEDS                 |                               |        |



CATALOG NO. HBLDS6P NOT SHOWN TO SCALE

NOTES:  
 1-DIMENSIONS ARE IN INCHES[mm].  
 1-ENCLOSURE TYPE 4X & 12.  
 2-cULus LISTED.  
 3-NSF CERTIFIED AND IPK69 RATED.

| CATALOG NO. HBLDS10P 100 AMP |               |
|------------------------------|---------------|
| HP                           | VOLTAGE       |
| 7.5 HP (5.6 kw)              | 120V AC 1     |
| 15 HP(11.19 kw)              | 200-240V AC 1 |
| 30 HP (22.37 kw)             | 480V AC 1     |
| 30 HP(22.37 kw)              | 200-240V AC 3 |
| 50 HP(37.28 kw)              | 480V AC 3     |
| 50 HP(37.28 kw)              | 600V AC 3     |

| CATALOG NO. HBLDS6P 60 AMP |               |
|----------------------------|---------------|
| HP                         | VOLTAGE       |
| 7.5 HP (5.6 kw)            | 120V AC 1     |
| 15 HP(11.19 kw)            | 200-240V AC 1 |
| 30 HP (22.37 kw)           | 480V AC 1     |
| 30 HP(22.37 kw)            | 200-240V AC 3 |
| 50 HP(37.28 kw)            | 480V AC 3     |
| 50 HP(37.28 kw)            | 600V AC 3     |

|     |                       |     |         |
|-----|-----------------------|-----|---------|
| 1   | RELEASED PER DCN24232 | CAC | 8/08/18 |
| REV | DESCRIPTION           | APP | DATE    |

THE DESIGN AND DIMENSIONS OF THE PRODUCT SHOWN ON THIS DRAWING ARE SUBJECT TO CHANGE WITHOUT NOTICE. DIMENSIONS ARE IN INCHES [mm].

TITLE  
 DIMENSION SHEET FOR 60A CIRCUIT LOCK DISCONNECT SWITCH W/LED SWITCH



WIRING DEVICE-KELLEMS HUBBELL INCORPORATED SHELTON, CT

|  |             |               |
|--|-------------|---------------|
| TOLERANCES UNLESS OTHERWISE SPECIFIED<br>.XX = ± .01<br>.XXX = ± .005<br>ANGLE TOL. ±2 | DR. BY CAC  | SCALE 1/3     |
|  | CHK. BY CAC | DATE 07/16/18 |

B

M-13914

1