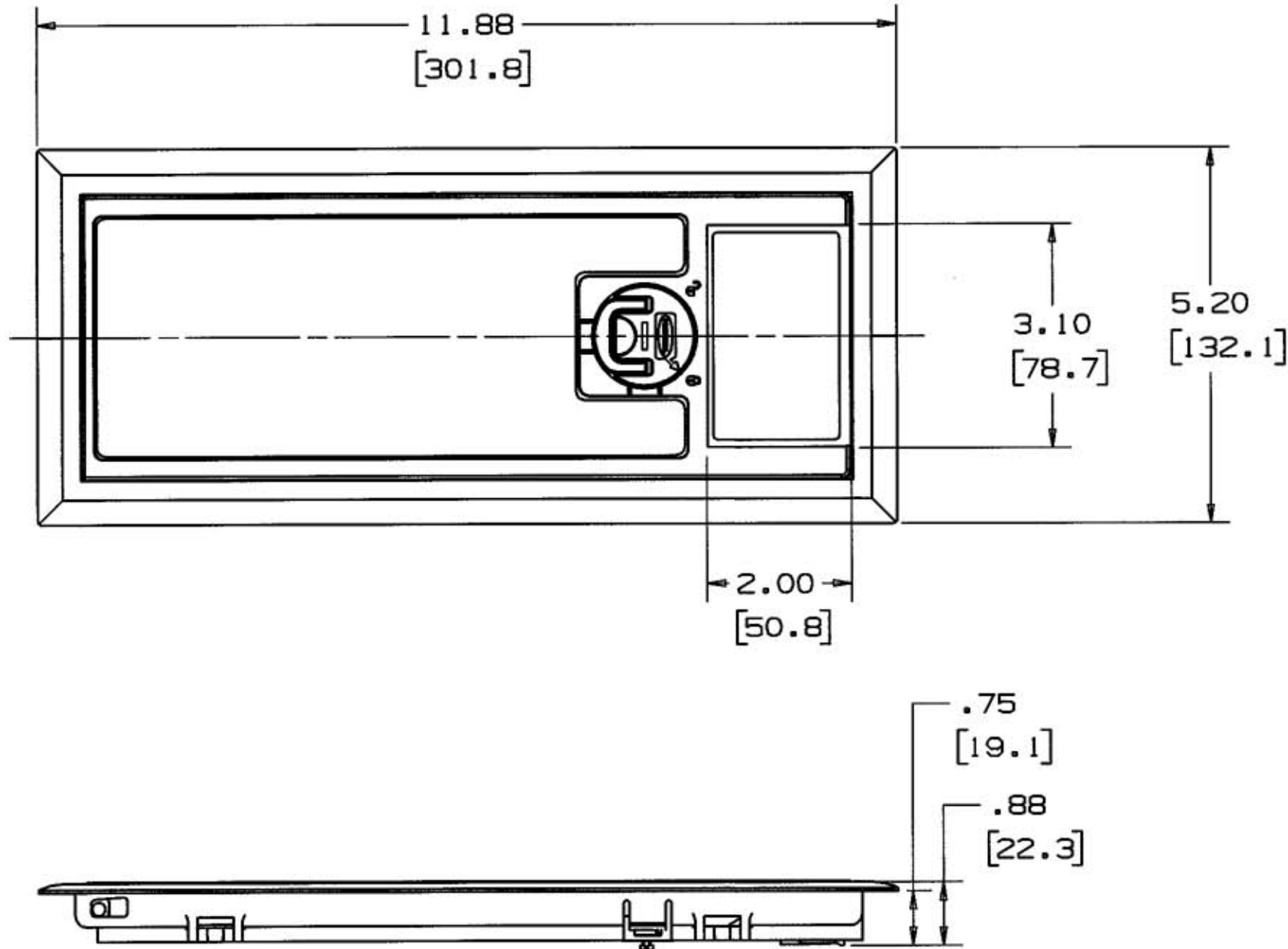


M-8748 2



NOTE:

1. (4) MOUNTING SCREWS NOT SHOWN.

COLOR	CATALOG NUMBER
IVORY	3SFBCIA
BROWN	3SFBCBRA
GREY	3SFBCGYA
BLACK	3SFBCBKA

LIST OF PARTS		
DESCRIPTION	MATERIAL	FINISH
COVER FRAME	CYCOLAC	SEE TABLE
COVER DOOR	MINLON	SEE TABLE
CABLE ACCESS DOOR	CYCOLAC / SANTOPRENE	SEE TABLE
DUST COVER	FOAM	
DOOR PLATE	STEEL	
COVER KNOB	CYCOLAC	SEE TABLE
PULL RING HANDLE	CYCOLAC	SEE TABLE
RIGHT SIDE GASKET	SANTOPRENE	
LEFT SIDE GASKET	SANTOPRENE	
HINGE SIDE GASKET	SANTOPRENE	

2	UPDATE PER DCN. 10387	TLS	1-31-03
1	DCN. 9353		
SYM	REVISIONS	APP	DATE

THE DESIGN AND DIMENSIONS OF THE PRODUCT SHOWN ON THIS DRAWING ARE SUBJECT TO CHANGE WITHOUT NOTICE

TITLE  
3-SERVICE FLOOR BOX  
FLUSH COVER & CARPET FLANGE

TOLERANCES UNLESS OTHERWISE SPECIFIED		WIRING DEVICE-KELLEMS HUBBELL INCORPORATED BRIDGEPORT, CT	
FRACTIONS	± 1/64	DR. BY	TJV
DECIMALS	± .005	APP. BY	
ANGLES	± 2°	TR. BY	
		SCALE	1:2
		CHK'D BY	DATE 3-18-02

DIMENSION SHEET FOR CAT. NO. **SEE TABLE**  
 REPAIRABLE  NON-REPAIRABLE   
**B**  
**M-8748**  
**2**