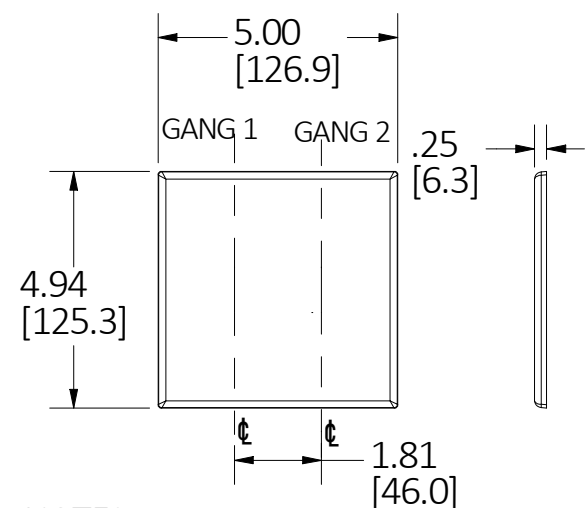


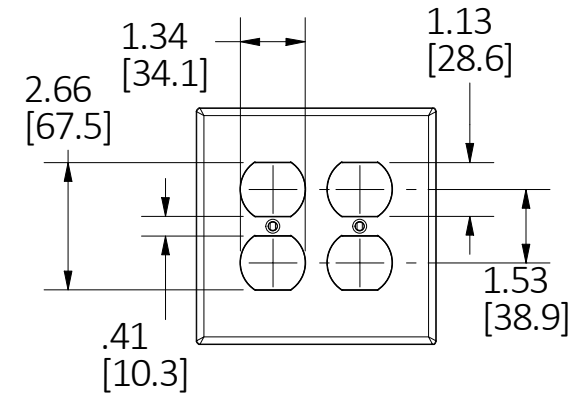
LIST OF PARTS

| DESCRIPTION | MATERIAL | FINISH |
|----------------|---------------|---------------------------|
| WALLPLATE | THERMOPLASTIC | COLOR SEE TABLE PER CAT.# |
| MOUNTING SCREW | STEEL | Zn PLATE |

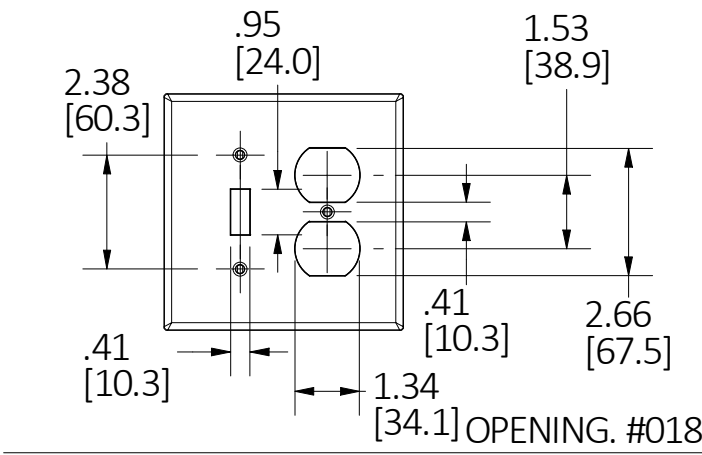
DIMENSION SHEET FOR CAT. NO. SEE TABLE



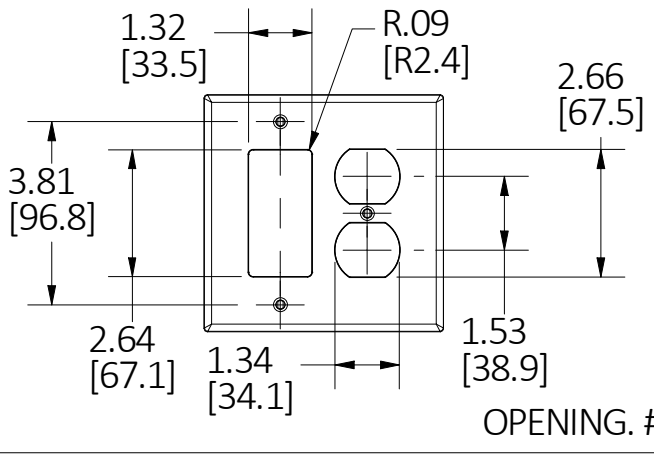
NOTES:
1. ALL DIMENSIONS ARE IN INCHES [mm].



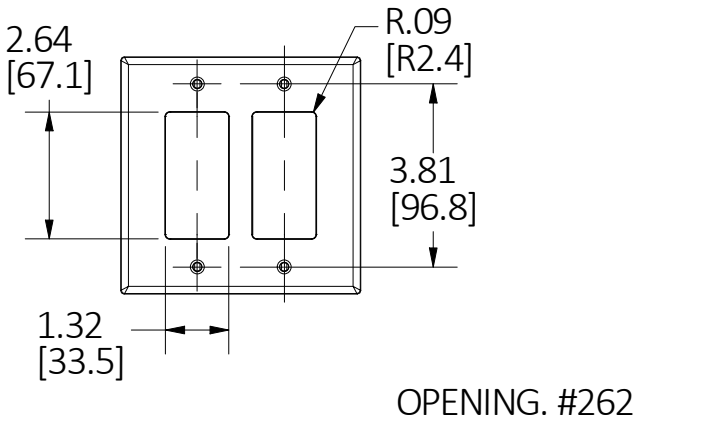
OPENING. #082



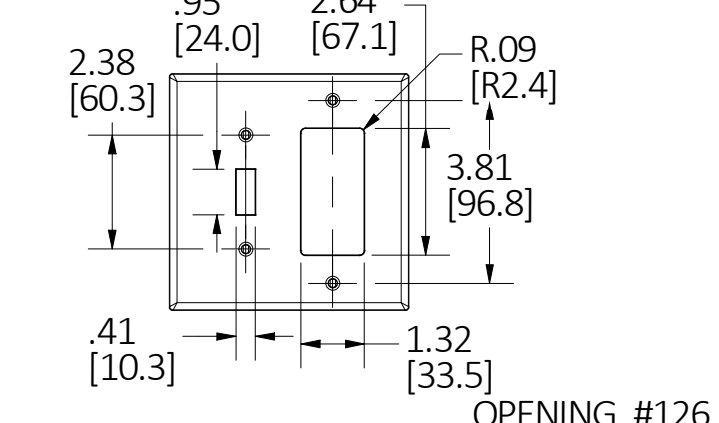
OPENING. #018



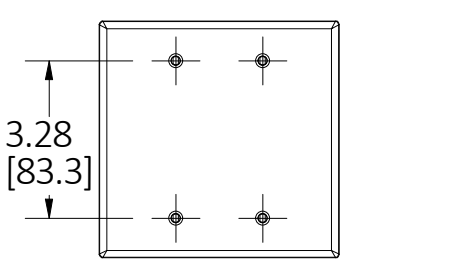
OPENING. #826



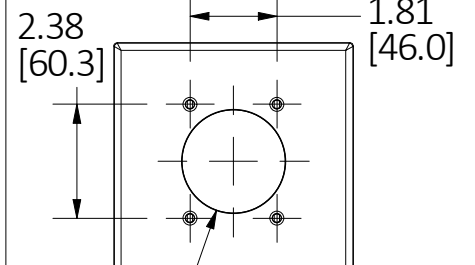
OPENING. #262



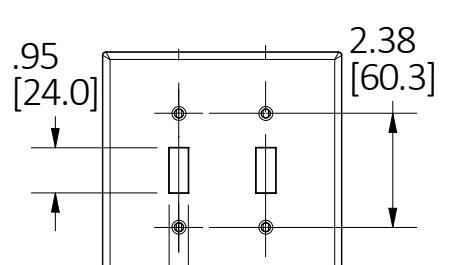
OPENING. #126



OPENING. #023



OPENING. #703



OPENING. #002

| CAT.# | DESCRIPTION | COLOR | OPENING |
|----------|-------------------------------------|--------------|---------|
| PJ82 | WALLPLATE 2G DUP MID, BR | BROWN | 082 |
| PJ82I | WALLPLATE 2G DUP MID, IV | IVORY | 082 |
| PJ82W | WALLPLATE 2G DUP MID, WH | WHITE | 082 |
| PJ82GY | WALLPLATE 2G DUP MID, GY | GRAY | 082 |
| PJ82BK | WALLPLATE 2G DUP MID, BK | BLACK | 082 |
| PJ82R | WALLPLATE 2G DUP MID, RED | RED | 082 |
| PJ82LA | WALLPLATE 2G DUP MID, LA | LIGHT ALMOND | 082 |
| PJ82CO | WALLPLATE 2G DUP MID NYL OR COMP | ORANGE | 082 |
| PJ82RMEV | WALLPLATE 2G DUP MID RED EMERG | RED | 082 |
| PJ23 | WALLPLATE 2G BLANK MID, BR | BROWN | 023 |
| PJ23I | WALLPLATE 2G BLANK MID, IV | IVORY | 023 |
| PJ23W | WALLPLATE 2G BLANK MID, WH | WHITE | 023 |
| PJ23LA | WALLPLATE 2G BLANK MID, LA | LIGHT ALMOND | 013 |
| PJ262 | WALLPLATE 2G DECO MID, BR | BROWN | 262 |
| PJ262I | WALLPLATE 2G DECO MID, IV | IVORY | 262 |
| PJ262W | WALLPLATE 2G DECO MID, WH | WHITE | 262 |
| PJ262GY | WALLPLATE 2G DECO MID, GY | GRAY | 262 |
| PJ262BK | WALLPLATE 2G DECO MID, BK | BLACK | 262 |
| PJ262R | WALLPLATE 2G DECO MID, RED | RED | 262 |
| PJ262LA | WALLPLATE 2G DECO MID, LA | LIGHT ALMOND | 262 |
| PJ2 | WALLPLATE 2G TOG MID, BR | BROWN | 002 |
| PJ2I | WALLPLATE 2G TOG MID, IV | IVORY | 002 |
| PJ2W | WALLPLATE 2G TOG MID, WH | WHITE | 002 |
| PJ2GY | WALLPLATE 2G TOG MID, GY | GRAY | 002 |
| PJ2BK | WALLPLATE 2G TOG MID, BK | BLACK | 002 |
| PJ2R | WALLPLATE 2G TOG MID, RED | RED | 002 |
| PJ2LA | WALLPLATE 2G TOG MID, LA | LIGHT ALMOND | 002 |
| PJ2RME | WALLPLATE 2G TOG MID, RED EMERGENCY | RED | 002 |
| PJ703 | WALLPLATE 2G 2.15"OPNG MID, BR | BROWN | 703 |
| PJ703I | WALLPLATE 2G 2.15"OPNG MID, IV | IVORY | 703 |
| PJ703W | WALLPLATE 2G 2.15"OPNG MID, WH | WHITE | 703 |
| PJ703BK | WALLPLATE 2G 2.15"OPNG MID, BK | BLACK | 703 |
| PJ826 | WALLPLATE 2G DUP&DECO MID, BR | BROWN | 826 |
| PJ826I | WALLPLATE 2G DUP&DECO MID, IV | IVORY | 826 |
| PJ826W | WALLPLATE 2G DUP&DECO MID, WH | WHITE | 826 |
| PJ826GY | WALLPLATE 2G DUP&DECO MID, GY | GRAY | 826 |
| PJ826BK | WALLPLATE 2G DUP&DECO MID, BK | BLACK | 826 |
| PJ826LA | WALLPLATE 2G DUP&DECO MID, LA | LIGHT ALMOND | 826 |
| PJ18 | WALLPLATE 2G TOG&DUP MID, BR | BROWN | 018 |
| PJ18I | WALLPLATE 2G TOG&DUP MID, IV | IVORY | 018 |
| PJ18W | WALLPLATE 2G TOG&DUP MID, WH | WHITE | 018 |
| PJ18GY | WALLPLATE 2G TOG&DUP MID, GY | GRAY | 018 |
| PJ18BK | WALLPLATE 2G TOG&DUP MID, BK | BLACK | 018 |
| PJ18R | WALLPLATE 2G TOG&DUP MID, RED | RED | 018 |
| PJ18LA | WALLPLATE 2G TOG&DUP MID, LA | LIGHT ALMOND | 018 |
| PJ126 | WALLPLATE 2G TOG&DECO MID, BR | BROWN | 126 |
| PJ126I | WALLPLATE 2G TOG&DECO MID, IV | IVORY | 126 |
| PJ126W | WALLPLATE 2G TOG&DECO MID, WH | WHITE | 126 |
| PJ126GY | WALLPLATE 2G TOG&DECO MID, GY | GRAY | 126 |
| PJ126BK | WALLPLATE 2G TOG&DECO MID, BK | BLACK | 126 |
| PJ126LA | WALLPLATE 2G TOG&DECO MID, LA | LIGHT ALMOND | 126 |

| REV | DESCRIPTION | APP | DATE |
|-----|---|------|---------|
| 3 | ADD PJ113 IN SHEET 2 PER DCN #200401144939. | D.LI | 3/31/20 |
| 2 | ADD SHEET 2 PER DCN #191115071510. | D.LI | 11/6/19 |
| 1 | NEW RELEASE PER DCN #191021082012. | D.LI | 9/18/19 |

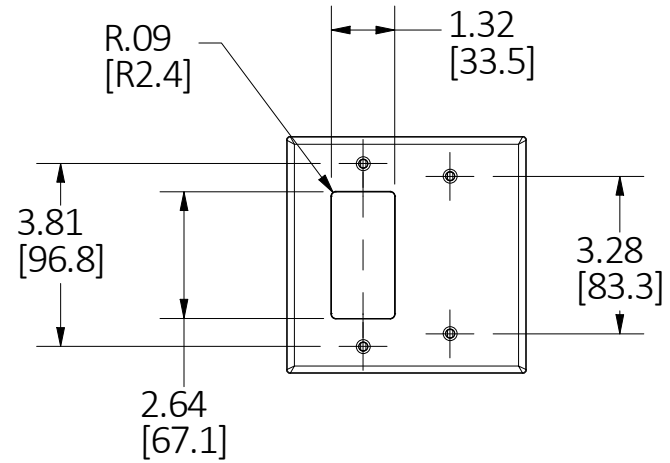
THE DESIGN AND DIMENSIONS OF THE PRODUCT SHOWN ON THIS DRAWING ARE SUBJECT TO CHANGE WITHOUT NOTICE. DIMENSIONS ARE IN INCHES [mm].

TITLE
WALLPLATE PC 2-GANG MID SIZE

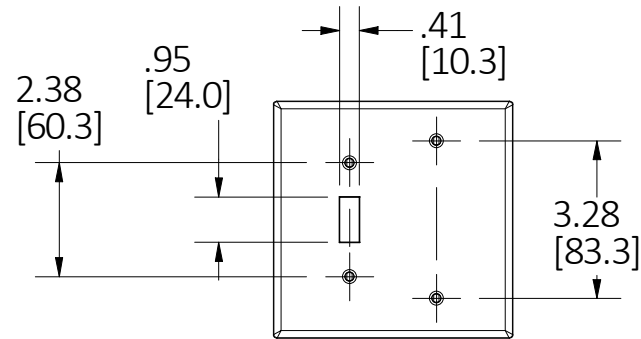
HUBBELL WIRING DEVICE-KELLEMS
HUBBELL INCORPORATED
SHELTON, CT

TOLERANCES UNLESS OTHERWISE SPECIFIED
.XX = ±.01
.XXX = ±.005
ANGLE TOL. ±2'

DR. BY D.LI SCALE 1/4
CHK. BY DATE 9/18/2019



OPENING #1326



OPENING #113

LIST OF PARTS

| DESCRIPTION | MATERIAL | FINISH |
|----------------|---------------|---------------------------|
| WALLPLATE | THERMOPLASTIC | COLOR SEE TABLE PER CAT.# |
| MOUNTING SCREW | STEEL | Zn PLATE |
| | | |
| | | |
| | | |
| | | |
| | | |
| | | |
| | | |
| | | |
| | | |
| | | |
| | | |
| | | |
| | | |
| | | |

DIMENSION SHEET FOR CAT. NO. SEE TABLE

| 3 | ADD PJ113 IN SHEET 2PER DCN #200401144939. | D.LI | 3/31/20 |
|-----|--|------|---------|
| 2 | ADD SHEET 2 PER DCN #191115071510. | D.LI | 11/6/19 |
| 1 | NEW RELEASE PER DCN #191021082012. | D.LI | 9/18/19 |
| REV | DESCRIPTION | APP | DATE |

THE DESIGN AND DIMENSIONS OF THE PRODUCT SHOWN ON THIS DRAWING ARE SUBJECT TO CHANGE WITHOUT NOTICE. DIMENSIONS ARE IN INCHES [mm].

| CAT.# | DESCRIPTION | COLOR | OPENING |
|----------|---------------------------------|--------------|---------|
| PJ1326I | WALLPLATE 2G DECO&BLANK MID, IV | IVORY | 1326 |
| PJ1326W | WALLPLATE 2G DECO&BLANK MID, WH | WHITE | 1326 |
| PJ1326GY | WALLPLATE 2G DECO&BLANK MID, GY | GRAY | 1326 |
| PJ1326BK | WALLPLATE 2G DECO&BLANK MID, BK | BLACK | 1326 |
| PJ1326LA | WALLPLATE 2G DECO&BLANK MID, LA | LIGHT ALMOND | 1326 |
| PJ113 | WALLPLATE 2G TOG&BLANK MID, BR | BROWN | 113 |
| PJ113I | WALLPLATE 2G TOG&BLANK MID, IV | IVORY | 113 |
| PJ113W | WALLPLATE 2G TOG&BLANK MID, WH | WHITE | 113 |
| PJ13LA | WALLPLATE 2G TOG&BLANK MID, LA | LIGHT ALMOND | 113 |

TITLE
WALLPLATE PC 2GANG MID SIZE



WIRING DEVICE-KELLEMS
HUBBELL INCORPORATED
SHELTON, CT

TOLERANCES UNLESS OTHERWISE SPECIFIED
.XX = ± .01
.XXX = ± .005
ANGLE TOL. ±2'

| | | | |
|---------|------|-------|---------|
| DR. BY | D.LI | SCALE | 1 / 4 |
| CHK. BY | | DATE | 11/6/19 |

B M-14161

3