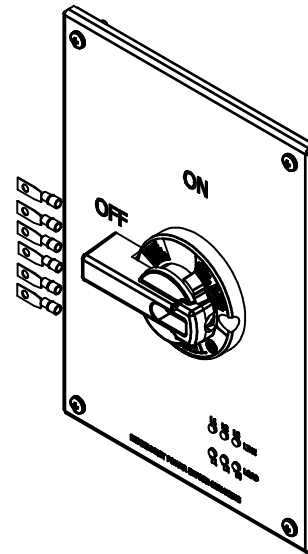
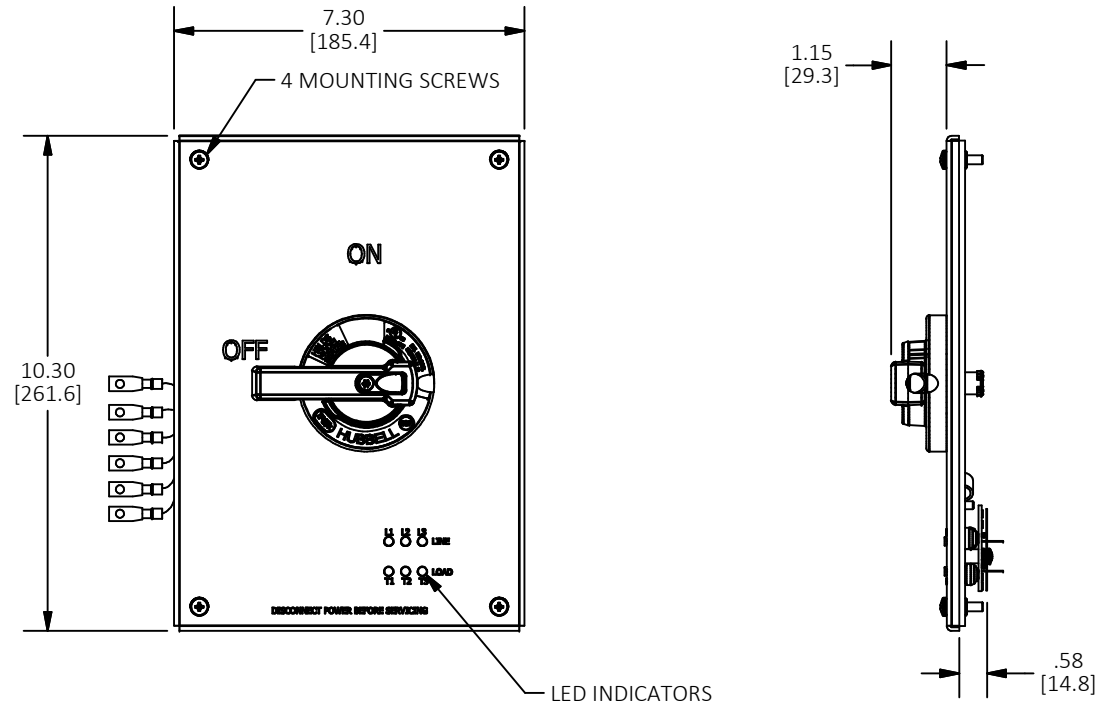


M-13885

1

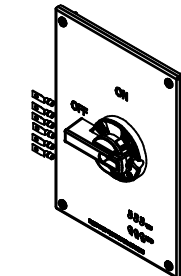
60A & 100A REPLACEMENT COVER: HBLDS6SSRCP
HBLDS10SSRCP

REPLACEMENT COVER WITH LED INDICATORS
USE ONLY REPLACEMENT COVER HBLDS6SSRCP, HBLDS10SSRCP
WITH HUBELL INC. CAT NO.
HBLDS6SS & HBLDS10SS SERIES ENCLOSURES
NSF CERTIFIED AND IP69K RATING

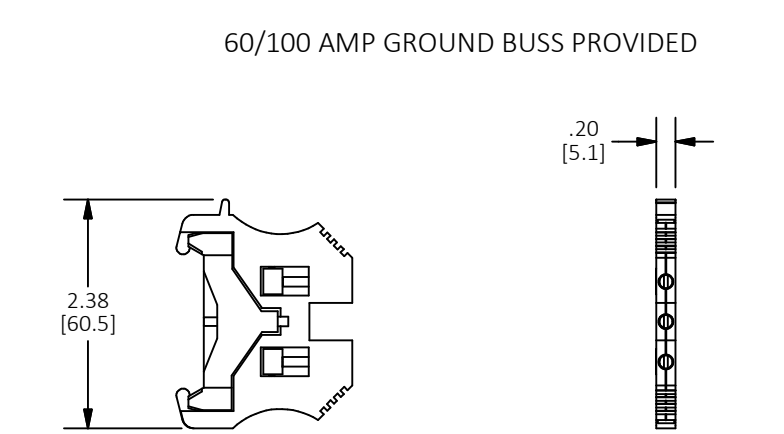


LIST OF PARTS

DESCRIPTION	MATERIAL	FINISH
HARDWARE	STAINLESS STEEL	
HANDLE & MOUNT	PBT	
GASKET	EPDM FOAM	
LED/PCBD		
LENS	PC	
GROUND BUS		



SCALE: 1/8
EMBEDDED 3D CAD MODEL IN
"M-13885_ACAD.dwg"



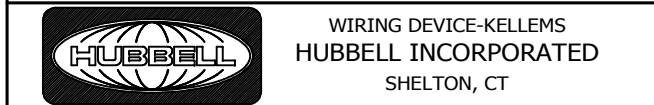
- NOTES:
- CATALOG NUMBERS: HBLDS6SSRCP, HBLDS10SSRCP.
 - DIMENSIONS SHOWN ARE IN INCHES [mm].
 - ENCLOSURE TYPE 4X & 12
 - cULus LISTED
 - FOR INSTALLATION OF REPLACEMENT COVER REFER TO PD2787 INSTALLATION INSTRUCTION

CAT NO. HBLDS6SSRCP, HBLDS10SSRCP	
HP	VOLTAGE
7.5 HP (5.6kW)	120 VAC 1 Ø
15 HP (11.19 kW)	200-240 VAC 1 Ø
30 HP (22.37 kW)	480 VAC 1 Ø
30 HP (22.37 kW)	200-240 VAC 3 Ø
50 HP (37.28 kW)	480 VAC 3 Ø
50 HP (37.28 kW)	600 VAC 3 Ø

1	RELEASED PER DCN #23623 AD	TLS	06/04/18
REV	DESCRIPTION	APP	DATE

THE DESIGN AND DIMENSIONS OF THE PRODUCT SHOWN ON THIS DRAWING ARE SUBJECT TO CHANGE WITHOUT NOTICE. DIMENSIONS ARE IN INCHES [mm].

TITLE
CIRCUIT-LOCK™ 60/100 AMP STAINLESS STEEL DISCONNECT SWITCH, LED INDICATORS



TOLERANCES UNLESS OTHERWISE SPECIFIED .XX = ±.01 .XXX = ±.005 ANGLE TOL. ±2°	DR. BY AD	SCALE 1/4
	CHK. BY CAC	DATE 03/09/18