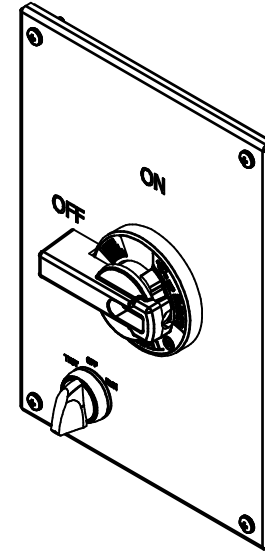


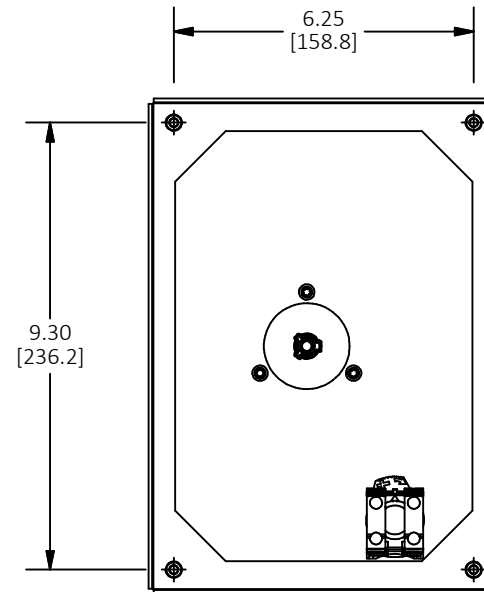
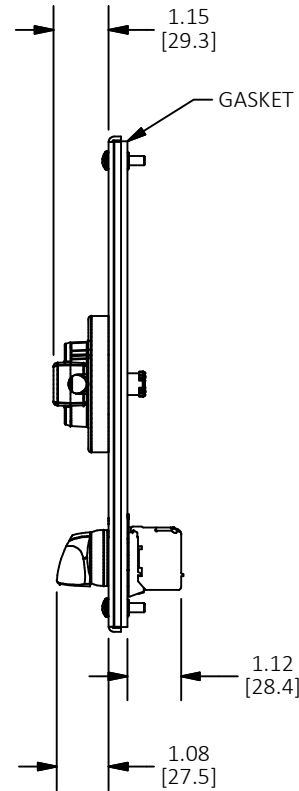
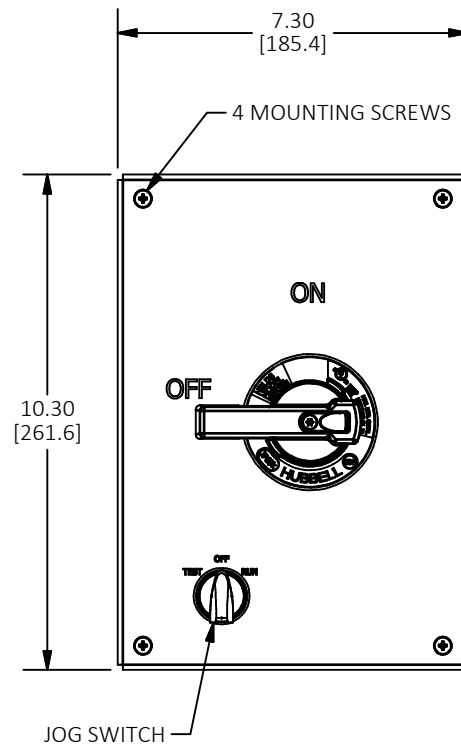
M-13949

1

60A & 100A REPLACEMENT COVER: HBLDS6SSRCJ
HBLDS10SSRCJ



REPLACEMENT COVER WITH LED INDICATORS
USE ONLY REPLACEMENT COVER HBLDS6SSRCJ, HBLDS10SSRCJ
WITH HUBELL INC. CAT NO. HBLDS6SS & HBLDS10SS SERIES ENCLOSURES
NSF CERTIFIED AND IP69K RATING



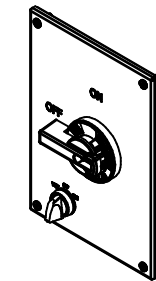
NOTES:

- CATALOG NUMBERS: HBLDS6SSRCJ, HBLDS10SSRCJ.
- DIMENSIONS SHOWN ARE IN INCHES [mm].
- ENCLOSURE TYPE 4X & 12.
- cULus LISTED.
- FOR INSTALLATION OF REPLACEMENT COVER REFER TO PD2787 INSTALLATION INSTRUCTION

| CAT NO. HBLDS6SSRCJ, HBLDS10SSRCJ | |
|-----------------------------------|-----------------|
| HP | VOLTAGE |
| 7.5 HP (5.6kW) | 120 VAC 1 Ø |
| 15 HP (11.19 kW) | 200-240 VAC 1 Ø |
| 30 HP (22.37 kW) | 480 VAC 1 Ø |
| 30 HP (22.37 kW) | 200-240 VAC 3 Ø |
| 50 HP (37.28 kW) | 480 VAC 3 Ø |
| 50 HP (37.28 kW) | 600 VAC 3 Ø |

LIST OF PARTS

| DESCRIPTION | MATERIAL | FINISH |
|----------------|-----------------|--------|
| HARDWARE | STAINLESS STEEL | |
| HANDLE & MOUNT | PBT | |
| GASKET | EPDM FOAM | |
| JOG SW. | POLYIMIDE | |



SCALE: 1/8
EMBEDDED 3D CAD MODEL IN FILE
"M-13949_ACAD.dwg"

| 1 | RELEASED PER DCN #23623 AD | TLS | 06/04/18 |
|-----|----------------------------|-----|----------|
| REV | DESCRIPTION | APP | DATE |

THE DESIGN AND DIMENSIONS OF THE PRODUCT SHOWN ON THIS DRAWING ARE SUBJECT TO CHANGE WITHOUT NOTICE. DIMENSIONS ARE IN INCHES [mm].

TITLE
CIRCUIT-LOCK™ 60/100 AMP STAINLESS STEEL DISCONNECT SWITCH, JOG SWITCH



WIRING DEVICE-KELLEMS
HUBBELL INCORPORATED
SHELTON, CT

| | | |
|--|--------------------------|----------------------------|
| TOLERANCES UNLESS OTHERWISE SPECIFIED .XX = ±.01 .XXX = ±.005 ANGLE TOL. ±2 | DR. BY AD CHK. BY CAC | SCALE 1/4 DATE 03/09/18 |
|--|--------------------------|----------------------------|