

## Stage Pin Devices

### 100A/250V Female Inline, Double Set Screw

# HUBBELL

## Ordering Information

Description	Device Color	UPC Number	Catalog Number
Lightweight, Impact Resistant, Easy to Wire, ESTA Compliant 100A Stage Pin Devices	Yellow	783585578378	HBL106SPF

## Listings

cULus  
UL Enc Type 1  
ESTA Compliant

## Specifications

Housing Material	Super-Tough Nylon
Contact Material	Brass
Contact Sleeve Material	PBT

## Performance

### Electrical

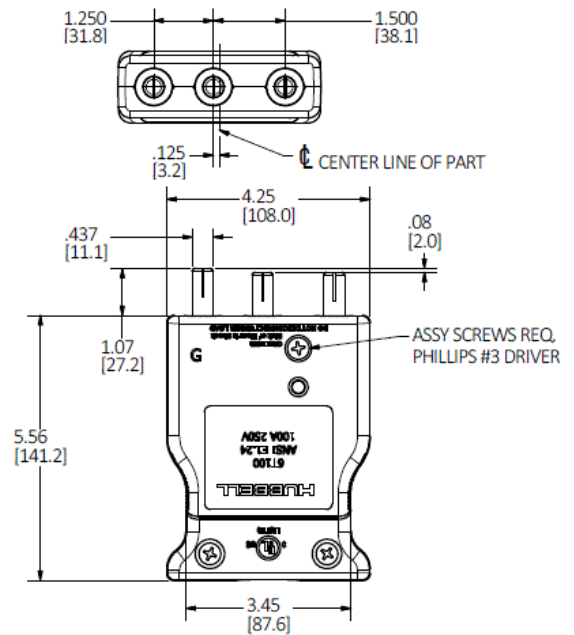
Amperage Rating	100A Maximum
Voltage Rating	250V Maximum

### Mechanical

Wire Range #2-#4 Type SC, 6/3 Type W, 4/3 Type SOOW

### Environmental

Moisture Resistance UL Enclosure Type 1



## Single Cable Sets and Breakouts in One Device

Device	Cable Combination	Device	Cable Combination
60A/125V	(3) #6 SC	100A/125V	(2) #4 SC
	(6) #6 SC		(1) #6 SC
	(2) #4 SC		(4) #4 SC
	#8/3		(2) #2 SC
	#6/3		(1) #6 SC
	#4/3		(1) #6 SC
100A/250V	(1) #6 SC	100A/250V	(2) #6 SC
	(1) #6 SC		(2) #6 SC
	(1) #6 SC		(2) #6 SC
	(1) #6 SC		(2) #6 SC
	(1) #6 SC		(2) #6 SC
	(1) #6 SC		(2) #6 SC

## Online Resources

Customer Sales Drawing  
eCatalog  
Installation Instructions

Dimensions in Inches (mm)

Hubbell Wiring Device-Kellems • Hubbell Incorporated (Delaware) • 40 Waterview Drive • Shelton, CT 06484

Phone (800) 288-6000 • Fax (800) 255-1031 • Specifications subject to change without notice.

