

## Wire Management Products

### Cord and Cable Reels

### Industrial Power Cord Reels

# HUBBELL

#### Features

- Durable, Corrosion Resistant Cast Aluminum Construction
- UL Type 1
- Multi-Position Guide Arm can be mounted in two different positions
- Positive Latch mechanism automatically maintains desired cord length
- Ratchet Lock can be disengaged in field for constant tension applications

#### Ordering Information

| Description   | UPC          | Catalog Number  |
|---|--------------|-----------------|
| Yellow Industrial Reel with Black Portable Outlet Box and (1) 20A Duplex Receptacle, UL Type 1, 45 Ft. #12/3 SJO, 20 A, 250 VAC | 783585585055 | HBLI45123R20M1Y |

#### Listings

cULus Listed

#### Specifications

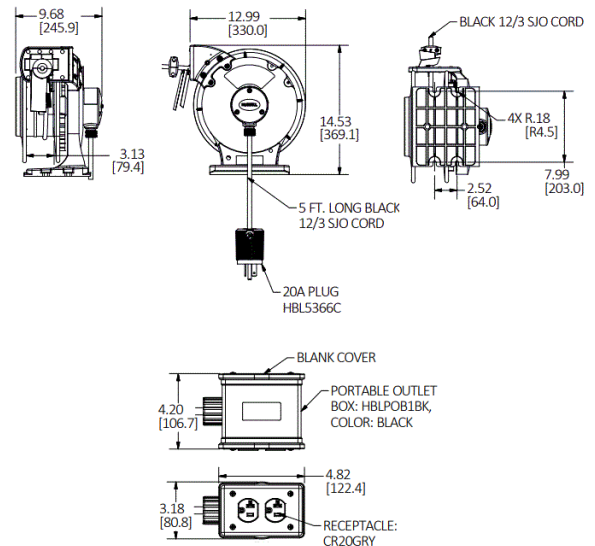
|                    |               |
|--------------------|---------------|
| Spool              | Aluminum      |
| Guide Frame        | Thermoplastic |
| Cord               | Copper        |
| Internal Terminals | Copper Alloy  |
| Ball Stopper       | Thermoplastic |
| Fitting            | Aluminum      |

#### Performance

|                      |         |
|----------------------|---------|
| <b>Electrical</b>    |         |
| Amperage             | 20 A    |
| Max. Working Voltage | 250V AC |
| Number of Wires      | 3-Wire  |

#### Environmental

|                     |  |
|---------------------|--|
| Moisture Resistance | Dry, Indoor, Non-Hazardous Locations - UL Type 1 |
|---------------------|--|



#### Complementary Products

|                  |           |
|------------------|-----------|
| Pivot Base       | HBLI340PB |
| Mounting Bracket | HBLIMB    |
| Ball Stop        | HBLI12BS  |

#### Online Resources

Customer Sales Drawing  
eCatalog  
Installation Instructions

Dimensions in Inches (mm)

Hubbell Wiring Device-Kellems • Hubbell Incorporated (Delaware) • 40 Waterview Drive • Shelton, CT 06484

Phone (800) 288-6000 • Fax (800) 255-1031 • Specifications subject to change without notice.

