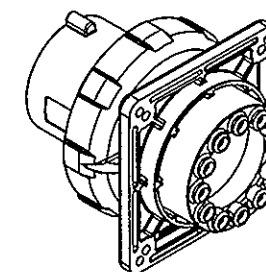
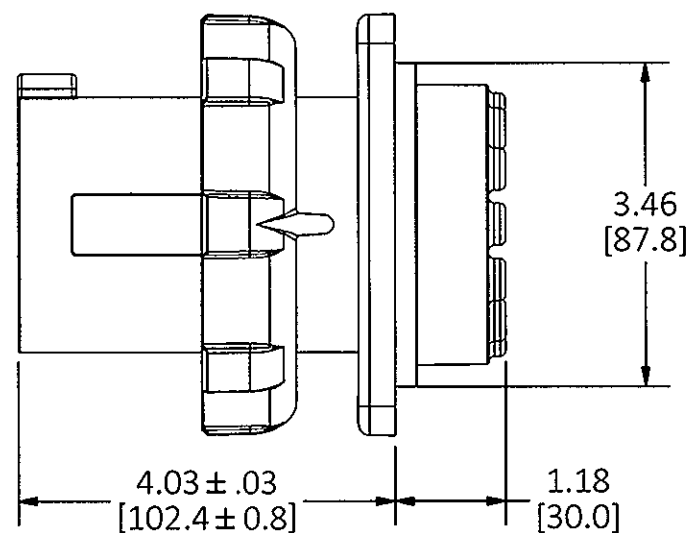
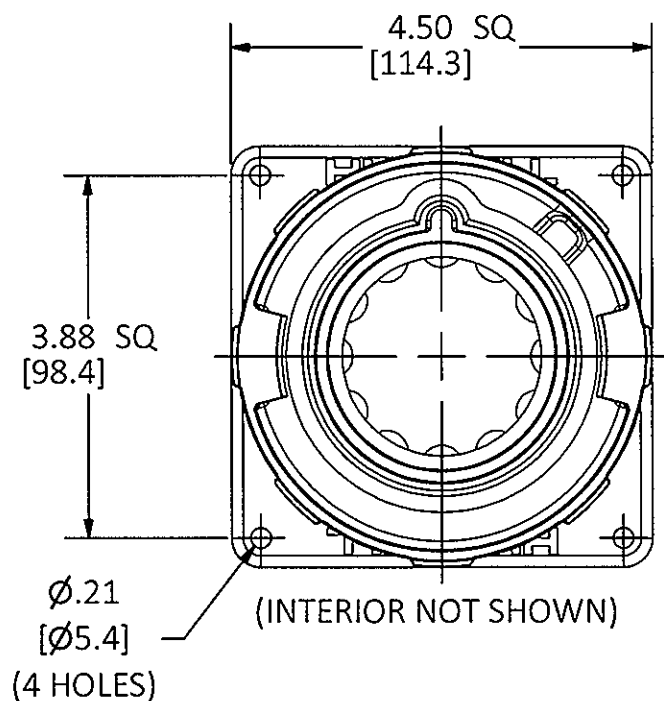


M-13345

1



LIST OF PARTS		
DESCRIPTION	MATERIAL	FINISH
HOUSING	PBT	
GASKET	RUBBER	
LOCKING RING	PBT	
INTERIOR	THERMOSET	
PINS	BRASS	
TERM. SCREWS	ST. STEEL	
GLAND CAP	PBT	
GLANDS	RUBBER	
CLAMPS	PBT	
CLAMP NUTS	BRASS	NICKEL
ASSY SCREWS	ST. STEEL	

CAT. NO.	CONFIG.	RATING	HOUSING COLOR	PILOT
HBL560B5W		60A 347/600VAC 3Ø	BLACK	NO
HBL560B5WP		60A 347/600VAC 3Ø	BLACK	YES
HBL560B6W		60A 200/346-240/415VAC 3Ø 63A - 6h/200/346-240/415V~	RED	NO
HBL560B6WP		60A 200/346-240/415VAC 3Ø 63A - 6h/200/346-240/415V~	RED	YES
HBL560B6V02		60A 200/346-240/415VAC 3Ø 63A - 6h/200/346-240/415V~	RED	NO
HBL560B7W		60A 277/480VAC 3Ø	RED	NO
HBL560B7WP		60A 277/480VAC 3Ø	RED	YES
HBL560B9W		60A 120/208VAC 3Ø 63A - 9h/120/208-144/250V~	BLUE	NO
HBL560B9WP		60A 120/208VAC 3Ø 63A - 9h/120/208-144/250V~	BLUE	YES

1	INITIAL RELEASE PER DCN 21982 Mr.B	TLS	3/10/16
REV	DESCRIPTION	APP	DATE

THE DESIGN AND DIMENSIONS OF THE PRODUCT SHOWN ON THIS DRAWING ARE SUBJECT TO CHANGE WITHOUT NOTICE. DIMENSIONS ARE IN INCHES [mm].

TITLE
60A & 63A 3 POLE 4 WIRE PIN AND SLEEVE INLET

WIRING DEVICE-KELLEMS
HUBBELL INCORPORATED
SHELTON, CT

TOLERANCES UNLESS OTHERWISE SPECIFIED .XX = ± .01 .XXX = ± .005 ANGLE TOL. ± 2°	DR. BY Mr.B	SCALE 1:2
	CHK. BY TLS	DATE 3/2/16

DIMENSION SHEET FOR CAT. NO. M-13345 SEE TABLE