

Straight Blade Devices 20A, 125V, 2 Pole, 3 Wire Grounding USB Charger Duplex Receptacle

HUBBELL

Features

- High Power 3.1 Amp, 5 Volt USB Output
- Two Type A USB Ports
- Tamper Resistant Grade Duplex Compatible
- USB Ports Rated 10,000 Cycles

Ordering Information

| Description | Color | UPC Number | Catalog Number |
|--|--------------|--------------|------------------|
| Tamper Resistant 20A/125V Duplex, 3.1 Amp, 5 Volts USB Ports | Light Almond | 883778310126 | USB20ACLA |

Listings

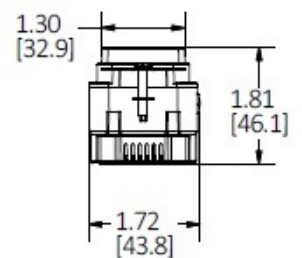
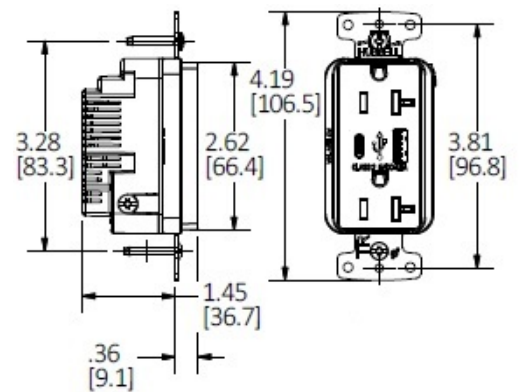
cULus Listed to UL498, UL1310

Specifications

| | |
|-----------------|-------------------------|
| Mounting Strap | .040" Zinc Plated Steel |
| Face | Reinforce Thermoplastic |
| Base | Reinforce Thermoplastic |
| USB Port | Stainless Steel |
| Contacts | Plated Steel |
| Clamp | Plated Steel |
| Terminal Screws | Plated Steel |
| Mounting Screws | Zinc Plated Steel |

Performance

| Electrical | |
|-------------------------|--|
| Current Interrupting | Certified for current interrupting at full rated current |
| Dielectric Voltage | Withstands 1,500 V minimum Complies with USB BC1.2 Battery Charging and 3.0 Power Delivery Specifications |
| Mechanical | |
| Product Identification | Ratings are a permanent part of the device |
| Terminal Accommodation | #14-#10 AWG copper stranded or solid conductor only |
| Terminal Identification | Terminals identified in accordance with UL 498 and CSA |
| USB Ports | Stainless steel rated for 10,000 plug insertions and removal |
| Environmental | |
| Flammability | UL 94V-2 |
| Operating Temperature | Maximum continuous 75°C, minimum -40°C (w/o impact) |



Dimensions in Inches (mm)

Hubbell Wiring Device-Kellems • Hubbell Incorporated (Delaware) • 40 Waterview Drive • Shelton, CT 06484

Phone (800) 288-6000 • Fax (800) 255-1031 • Specifications subject to change without notice.

