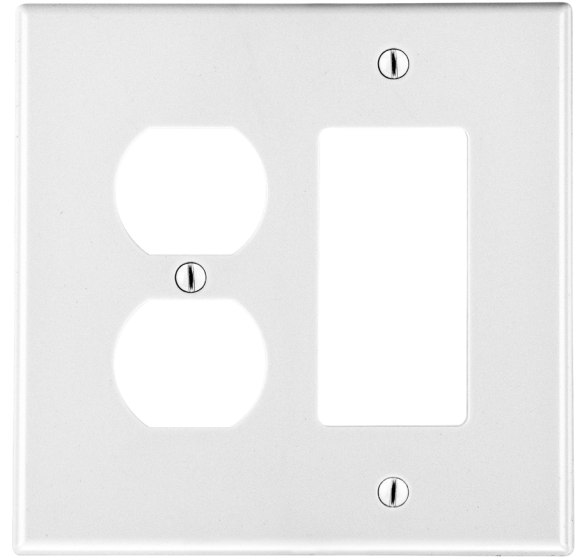


Wallplate Duplex and Decorator 2-Gang

Features

- High-impact, self-extinguishing polycarbonate material
- More rigid; sharp lines and less dimpling
- Smooth satin finish; blends into wall with an optimum finish

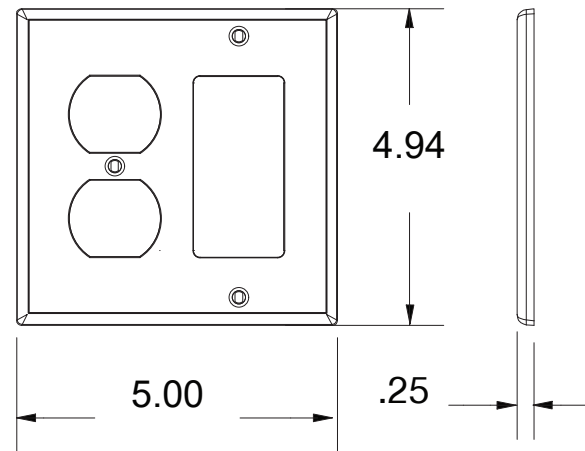


Ordering Information

| Description | Gang | Color | UPC Number | Catalog Number |
|--------------------------------------------------------------------------------------------------------------|------|-------|--------------|----------------|
| Duplex and decorator wallplate, smooth satin finish, for use with 1 duplex receptacle and 1 decorator device | 2 | White | 883778314520 | PJ826W |

Listings

cULus Listed



Specifications

| | |
|-----------------|-----------------------------|
| Material | Polycarbonate thermoplastic |
| Thickness | .25 (6.4) |
| Orientation | Orientation |
| Mounting | Screw |
| Mounting Screws | Painted steel |
| Dimensions | 4.94 in x 5.00 in x 0.25 in |
| Flammability | UL 94 V2 |