

## Straight Blade Devices

20A, 125V, 2 Pole, 3 Wire Grounding

# SNAPConnect<sup>®</sup> USB Charger Receptacles

# HUBBELL

## Features

- Fast Charge USB Ports
- Combination Ports, One Type A, One Type C
- High Power 3 Amp, up to 9 Volt USB Output
- USB Ports Rated 10,000 Cycles
- Commercial Grade Receptacle

## Ordering Information

| Description                      | Device Color | UPC Number   | Catalog Number |
|----------------------------------|--------------|--------------|----------------|
| 20A 125V Duplex, 5 Amp USB Ports | Gray         | 883778308499 | SNAP20UACGY    |

## Listings

cULus Listed to UL498, UL1310

## Specifications

|                 |  |
|-----------------|--|
| Face            | Reinforced Thermoplastic                                 |
| Base            | Reinforced Thermoplastic                                 |
| Indicator       | Green LED  |
| Terminals       | SNAPConnect  |
| Mounting Strap  | Galvanized Steel   |
| Electrical      | Certified for current interrupting at full rated current |
| Mounting Screws | Stainless Steel  |
| USB Port        | Stainless Steel  |

## Performance

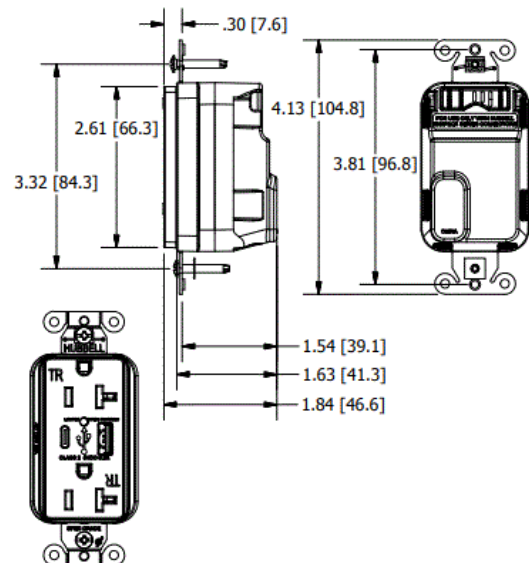
|                      |   |
|----------------------|---|
| <b>Electrical</b>    |   |
| Current Interrupting | Certified for current interrupting at full rated current  |
| Dielectric Voltage   | Withstands 1,500V minimum<br>Complies with USB BC1.2 Battery Charging and 3.0 Power Delivery Specifications |

## Mechanical

|                         |  |
|-------------------------|--|
| Product Identification  | Ratings are a permanent part of the device                   |
| Terminal Accommodation  | #14-#10 AWG copper stranded or solid conductor only          |
| Terminal Identification | Terminals identified in accordance with UL 498 and CSA       |
| USB Ports               | Stainless steel rated for 10,000 plug insertions and removal |

## Environmental

|                       |   |
|-----------------------|---|
| Flammability          | UL 94V-2  |
| Operating Temperature | Maximum continuous 75°C, minimum -40°C (w/o impact) |



## Online Resources

Customer Sales Drawing  
eCatalog  
Installation Instructions

Dimensions in Inches (mm)

Hubbell Wiring Device-Kellems • Hubbell Incorporated (Delaware) • 40 Waterview Drive • Shelton, CT 06484

Phone (800) 288-6000 • Fax (800) 255-1031 • Specifications subject to change without notice.

