

## Wallplate 2.15" Opening 2-Gang

### Features

- High-impact, self-extinguishing polycarbonate material
- More rigid; sharp lines and less dimpling
- Smooth satin finish; blends into wall with an optimum finish

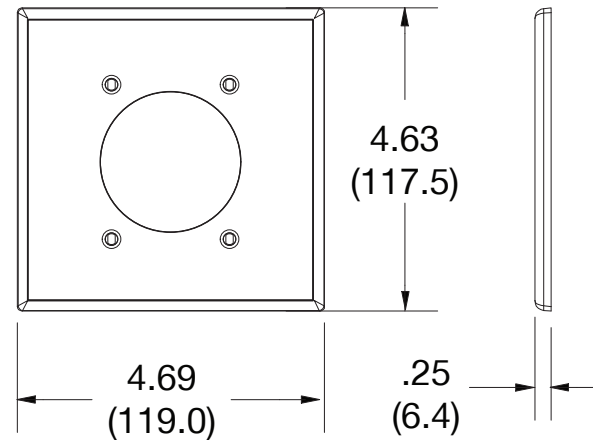


### Ordering Information

Description	Gang	Color	UPC Number	Catalog Number
Wallplate with 2.15" opening smooth satin finish, For use with single outlet	2	Ivory	883778312694	P703I

### Listings

cULus Listed



### Specifications

Material	Polycarbonate thermoplastic
Thickness	.25 (6.4)
Orientation	Orientation
Mounting	Screw
Mounting Screws	Painted steel
Dimensions	4.63 in x 4.69 in x 0.25 in
Flammability	UL 94 V2