

Wire Management Products

Cord and Cable Reels

Industrial Power Cord Reels

HUBBELL

Features

- Durable, Corrosion Resistant Cast Aluminum Construction
- UL Type 1
- Multi-Position Guide Arm can be mounted in two different positions
- Positive Latch mechanism automatically maintains desired cord length
- Ratchet Lock can be disengaged in field for constant tension applications

Ordering Information

| Description | UPC | Catalog Number |
|---|--------------|-----------------------|
| Yellow Industrial Reel with Black Portable Outlet Box, GFCI Module and (2) 20A Duplex Receptacles, UL Type 1, 45 Ft, #12/3 SJO, 20 A, 250 VAC | 783585586427 | HBLI45123GF220M 1Y |

Listings

cULus Listed

Specifications

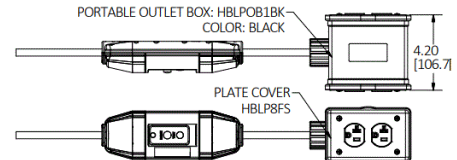
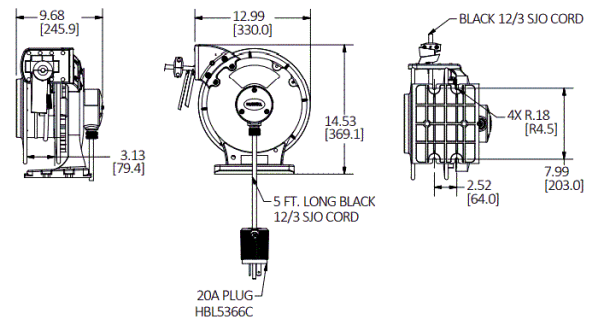
| | |
|--------------------|---------------|
| Spool | Aluminum |
| Guide Frame | Thermoplastic |
| Cord | Copper |
| Internal Terminals | Copper Alloy |
| Ball Stopper | Thermoplastic |
| Fitting | Aluminum |

Performance

| | |
|----------------------|---------|
| Electrical | |
| Amperage | 20 A |
| Max. Working Voltage | 250V AC |
| Number of Wires | 3-Wire |

Environmental

| | |
|---------------------|--|
| Moisture Resistance | Dry, Indoor, Non-Hazardous Locations - UL Type 1 |
|---------------------|--|



Complementary Products

| | |
|------------------|-----------|
| Pivot Base | HBLI340PB |
| Mounting Bracket | HBLIMB |
| Ball Stop | HBLI12BS |

Online Resources

Customer Sales Drawing
eCatalog
Installation Instructions

Dimensions in Inches (mm)

Hubbell Wiring Device-Kellems • Hubbell Incorporated (Delaware) • 40 Waterview Drive • Shelton, CT 06484

Phone (800) 288-6000 • Fax (800) 255-1031 • Specifications subject to change without notice.

