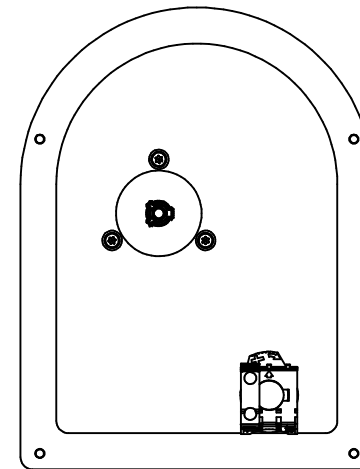
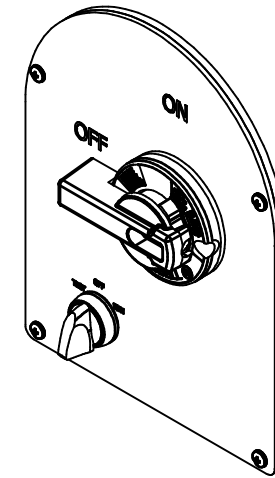
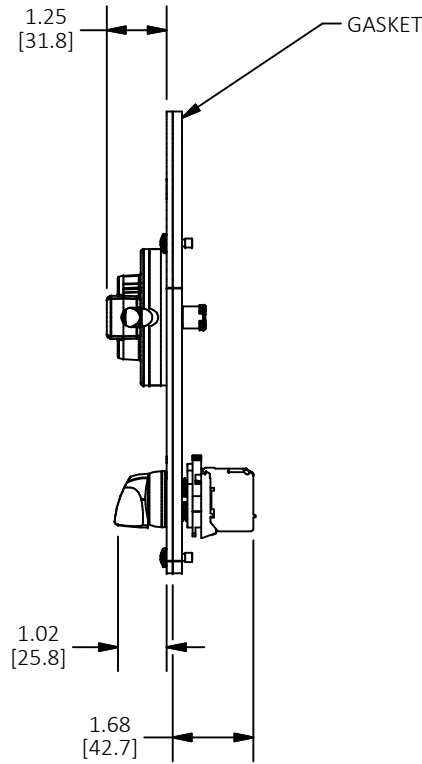
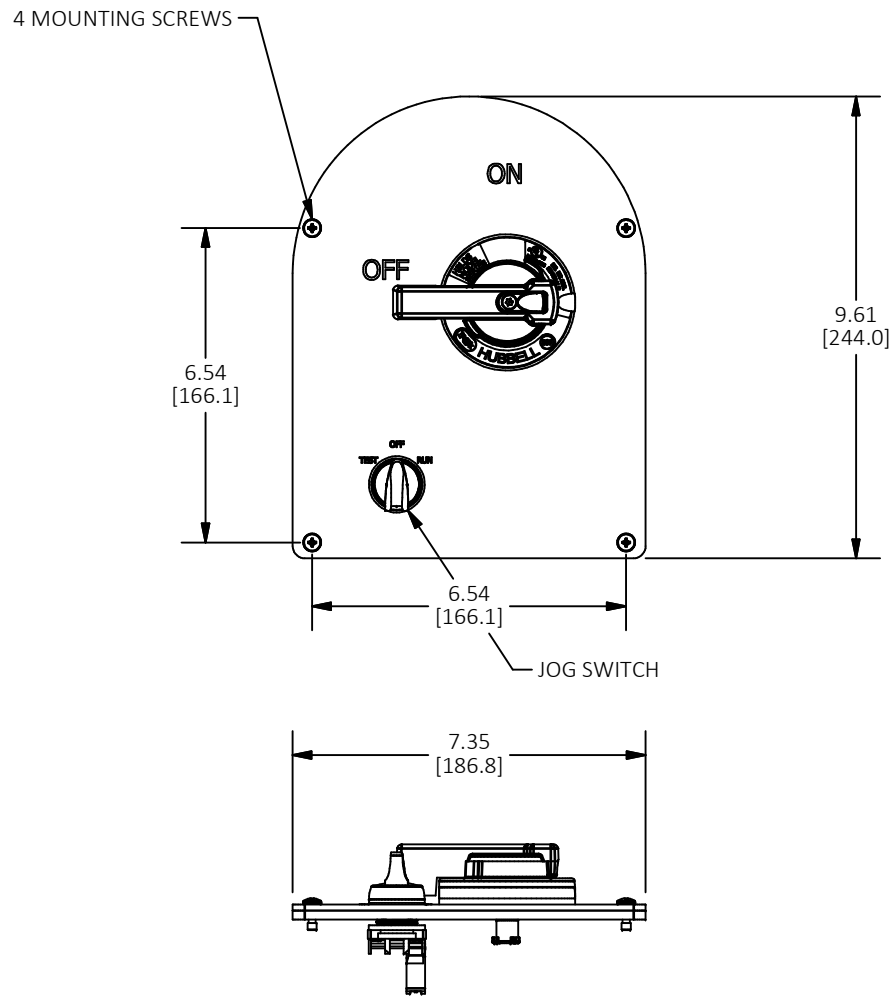


M-13951

1

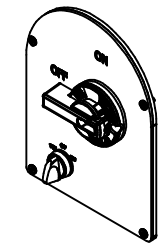
REPLACEMENT COVER WITH LED INDICATORS
 USE ONLY REPLACEMENT COVER HBLDS6SSRRCJ, HBLDS10SSRRCJ
 WITH HUBELL INC. CAT NO.
 HBLDS6SSR & HBLDS10SSR SERIES ENCLOSURES
 NSF CERTIFIED AND IP69K RATING

60A & 100A REPLACEMENT COVER: HBLDS6SSRRCJ
 HBLDS10SSRRCJ



LIST OF PARTS

DESCRIPTION	MATERIAL	FINISH
ENCLOSURE & HARDWARE	STAINLESS STEEL	
HANDLE & MOUNT	PBT	
GASKET	EPDM FOAM	
CONDUIT HUB	ZINC	
JOG SW.	POLYIMIDE	

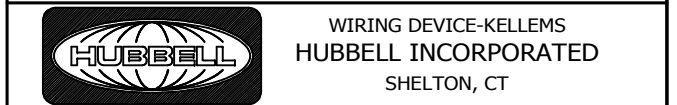


SCALE: 1/8
 EMBEDDED 3D CAD MODEL IN
 "M-13951_ACAD.dwg"

1	RELEASED PER DCN #23623 AD	TLS	06/04/18
REV	DESCRIPTION	APP	DATE

THE DESIGN AND DIMENSIONS OF THE PRODUCT SHOWN ON THIS DRAWING ARE SUBJECT TO CHANGE WITHOUT NOTICE. DIMENSIONS ARE IN INCHES [mm].

TITLE
 CIRCUIT-LOCK™ 60/100 AMP STAINLESS STEEL DISCONNECT SWITCH, JOG SWITCH



TOLERANCES UNLESS OTHERWISE SPECIFIED .XX = ±.01 .XXX = ±.005 ANGLE TOL. ±2	DR. BY AD CHK. BY CAC	SCALE 1/4 DATE 03/19/18
--	--------------------------	----------------------------

CAT NO.'S HBLDS6SSRRCJ, HBLDS10SSRRCJ	
HP	VOLTAGE
7.5 HP (5.6kW)	120 VAC 1 Ø
15 HP (11.19 kW)	200-240 VAC 1 Ø
30 HP (22.37 kW)	480 VAC 1 Ø
30 HP (22.37 kW)	200-240 VAC 3 Ø
50 HP (37.28 kW)	480 VAC 3 Ø
50 HP (37.28 kW)	600 VAC 3 Ø

- NOTES:
 1. CATALOG NUMBERS: HBLDS6SSRRCJ, HBLDS10SSRRCJ.
 2. DIMENSIONS SHOWN ARE IN INCHES [mm].
 3. ENCLOSURE TYPE 4X & 12
 4. cULus LISTED
 5. FOR INSTALLATION OF REPLACEMENT COVER REFER TO PD2787 INSTALLATION INSTRUCTION.

DIMENSION SHEET FOR CAT. NO. HBLDS6SSRRCJ, HBLDS10SSRRCJ

B

M-13951

1