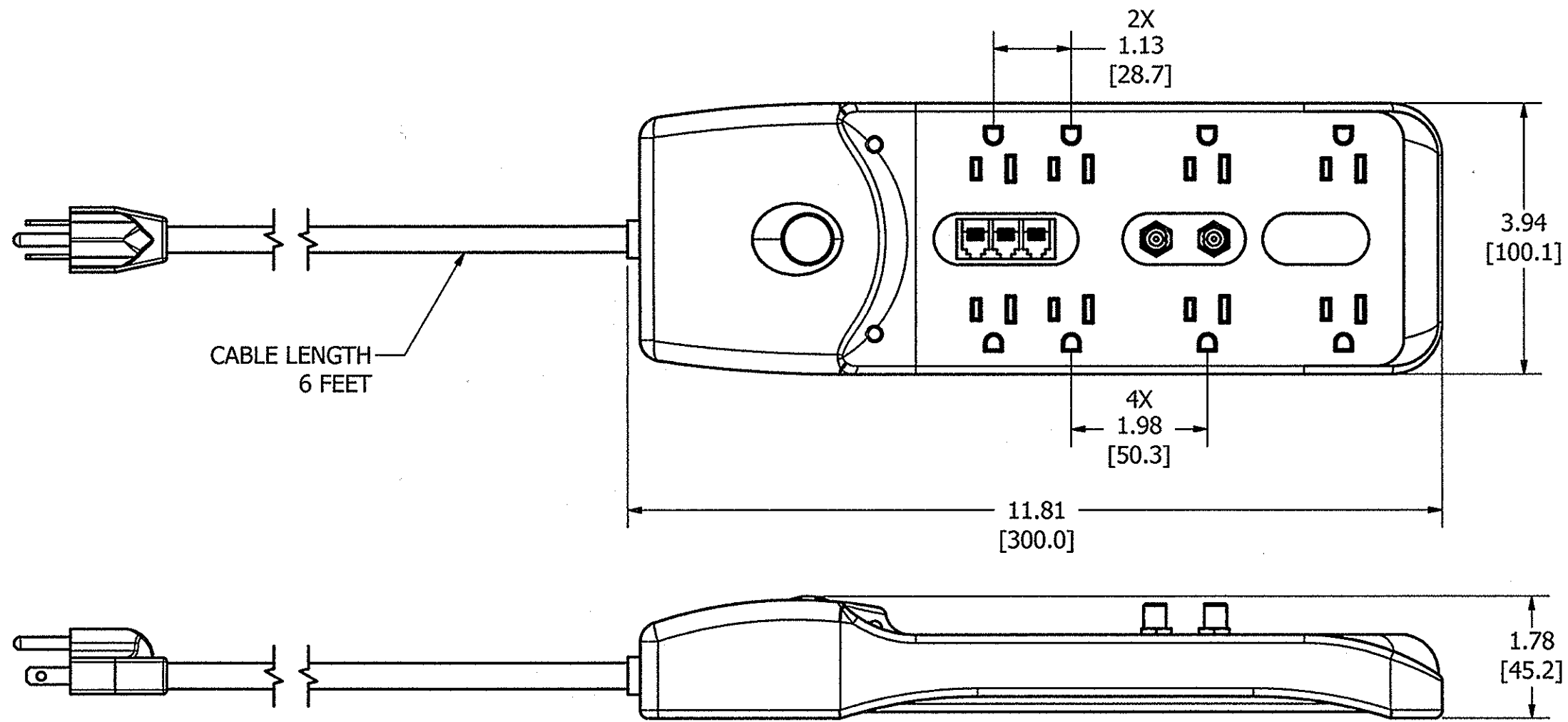


M-12094 1



CATALOG NO. HBL8PS2100MA SHOWN

HUBBELL CAT. NO.	HBL8PS2100MA	HBL8PS2100DA
COAX PROTECTION	1	2

NOTES:
 ALL DIMENSIONS ARE IN INCHES [mm]
 MEETS UL STANDARD 1449 3RD EDITION
 ELECTRICAL RATING: 15A, 125V, 1875W
 VOLTAGE PROTECTION RATING (VPR): 400V (L-N, N-G), 500V (L-G)
 MAXIMUM CONTINUOUS OVER VOLTAGE (MCOV): 127V
 NOMINAL DISCHARGE CURRENT (In): 3kA
 SURGE ENERGY RATING: 2100J
 MAXIMUM SURGE CURRENT RATING: 39,000A
 EMI/RFI NOISE FILTER (150kHz - 30 Mhz): UP TO 20dB
 RJ11 PHONE/DATA PROTECTION (350V): 1 IN, 2 OUT
 ALL POWER TAPS EQUIPPED AS FOLLOWS:
 LIGHTED PUSHBUTTON ON/OFF MASTER SWITCH WITH BUILT-IN CIRCUIT BREAKER
 TAMPER RESISTANT OUTLETS, PROTECTION LED INDICATOR

LIST OF PARTS

DESCRIPTION	MATERIAL	FINISH
HOUSING	ABS	OFF WHITE

DIMENSION SHEET FOR CAT. NO. SEE TABLE

REPAIRABLE NON-REPAIRABLE

1	RELEASED PER DCN18355	SBW	9/19/11
SYM	DESCRIPTION	APPRO	DATE

B

THE DESIGN AND DIMENSIONS OF THE PRODUCT SHOWN ON THIS DRAWING ARE SUBJECT TO CHANGE WITHOUT NOTICE

TITLE SURGE PROTECTIVE DEVICE, EIGHT OUTLET RELOCATABLE POWER TAP

M-12094

TOLERANCES UNLESS OTHERWISE SPECIFIED	WIRING DEVICE-KELLEMS HUBBELL INCORPORATED SHELTON, CT	
FRACTIONS ±1/64	DR. BY SBW	APP. BY <i>[Signature]</i>
DECIMALS ±.005	TR. BY	SCALE 1:2
ANGLES ±2°	CHK'D BY	DATE 9/19/2011

1