

Straight Blade Devices  
 20A, 125V, 2 Pole, 3 Wire Grounding  
 Heavy Duty, Single Receptacle

# HUBBELL

## Features

- Slender/compact design
- Triple wipe contacts
- Panel mount

## Ordering Information

Description	Device Color	UPC	Catalog Number
Panel mount 1.75 in. (44.5) centers.	Brown	783585014739	HBL5358

## Listings

UL Listed, File E2186  
 Certified to CSA, C22.2, No. 42  
 Fed. Spec. WC596  
 NEMA® WD-6 Compliant

## Specifications

Body	PBT
Insulator	RTP
Contacts	Brass
Terminal Screws	Brass
Mounting Strap	Galvanized steel
Automatic Self-grounding Clip	Stainless steel
Mounting Screws	Galvanized Steel

## Performance

### Electrical

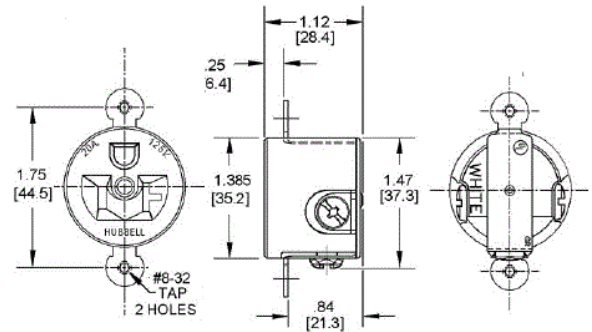
Current Interrupting Certified for current interrupting at full rated current  
 Dielectric Voltage Withstands 2,000V minimum

### Mechanical

Product Identification Ratings are a permanent part of the device  
 Terminal Accommodation #12-#10 AWG stranded or solid copper wire only  
 Terminal Identification Terminals identified in accordance with UL 498 and CSA

### Environmental

Flammability UL 94 V-0  
 Operating Temperatures Maximum continuous 75°C; minimum -40°C (w/o impact)



## Resources

Customer Use Drawing  
 eCatalog

Dimensions in Inches (mm)

Hubbell Wiring Device-Kellems • Hubbell Incorporated (Delaware) • 40 Waterview Drive • Shelton, CT 06484

Phone (800) 288-6000 • Fax (800) 255-1031 • Specifications subject to change without notice.

