

BALDOR® • RELIANCE 

Product Information Packet

ZDVSM3665T

5HP,1750RPM,3PH,60HZ,184TC,0641M,TEFC,F1

Part Detail							
Revision:	M	Status:	PRD/A	Change #:		Proprietary:	No
Type:	AC	Elec. Spec:	06WGX182	CD Diagram:	CD0005	Mfg Plant:	
Mech. Spec:	06H928	Layout:	06LYH928	Poles:	04	Created Date:	09-05-2012
Base:	RG	Eff. Date:	01-18-2018	Leads:	9#16		

Specs			
Catalog Number:	ZDVSM3665T	Inverter Code:	Inverter Duty
Enclosure:	TEFC	KVA Code:	J
Frame:	184TC	Lifting Lugs:	Standard Lifting Lugs
Frame Material:	Iron	Locked Bearing Indicator:	Locked Bearing
Output @ Frequency:	5.000 HP @ 60 HZ	Motor Lead Quantity/Wire Size:	9 @ 16 AWG
Synchronous Speed @ Frequency:	1800 RPM @ 60 HZ	Motor Lead Exit:	Ko Box
Voltage @ Frequency:	230.0 V @ 60 HZ	Motor Lead Termination:	Flying Leads
	460.0 V @ 60 HZ	Motor Type:	0642M
XP Class and Group:	None	Mounting Arrangement:	F1
XP Division:	Not Applicable	Power Factor:	79
Agency Approvals:	UR	Product Family:	General Purpose
	CSA	Pulley End Bearing Type:	Ball
Auxillary Box:	No Auxillary Box	Pulley Face Code:	C-Face
Auxillary Box Lead Termination:	None	Pulley Shaft Indicator:	Standard
Base Indicator:	Rigid	Rodent Screen:	None
Bearing Grease Type:	Polyrex EM (-20F +300F)	RoHS Status:	ROHS COMPLIANT
Blower:	None	Shaft Extension Location:	Pulley End
Current @ Voltage:	13.200 A @ 230.0 V	Shaft Ground Indicator:	No Shaft Grounding

	6.600 A @ 460.0 V	Shaft Rotation:	Reversible
Design Code:	B	Shaft Slinger Indicator:	Shaft Slinger
Drip Cover:	No Drip Cover	Speed Code:	Single Speed
Duty Rating:	CONT	Motor Standards:	NEMA
Electrically Isolated Bearing:	Not Electrically Isolated	Starting Method:	Direct on line
Feedback Device:	ENCODER	Thermal Device - Bearing:	None
Front Face Code:	Encoder/Feedback Device	Thermal Device - Winding:	Normally Closed Thermostat
Front Shaft Indicator:	No Key Or Flat	Vibration Sensor Indicator:	No Vibration Sensor
Heater Indicator:	No Heater	Winding Thermal 1:	None
Insulation Class:	F	Winding Thermal 2:	None

Nameplate NP3303L	
CAT NO	ZDVSM3665T
SPEC.	06H928X182Z1
FRAME	184TC HP 5 TE
VOLTS	230/460
MAG CUR	6.4/3.2 FLA 13.2/6.6
RPM	1750 RPM MAX 4000
HZ	60 PH 3 CLASS F
SER.F.	1.00 SL HZ 1.7
NEMA-NOM-EFF	89.5 WK2 0.391
RATING	40C AMB-CONT
DE BRG	6206 ODE BRG 6206
CC	010A SN
	1.5:1 CHP PWM

Parts List		
Part Number	Description	Quantity
SA250933	SA 06H928X182Z1	1.000 EA
RA237781	RA 06H928X182Z1	1.000 EA
HW3201A05	3/8-16 EYEBOLT	1.000 EA
06CB1000A03	CONDUIT BOX, MACH	1.000 EA
06GS1000	GASKET,CONDUIT BOX	1.000 EA
51XW2520A12	SCREW, HEX SER SLT HD, ZN, 1/4-20 X .75	2.000 EA
11XW1032G06	10-32 X .38, TAPTITE II, HEX WSHR SLTD U	1.000 EA
HW3001B01	BRASS CUP WASHER, FOR #10 SCREW	1.000 EA
36EP1905A14	FREP FOR SPL CI FANCOVER, 206 BRG	1.000 EA
HW4500A01	1641B(ALEMITE)400 UNIV, GREASE FITT	1.000 EA
HW5100A06	W2420-025 WVY WSHR (WB)	1.000 EA
36PE1300A01	PU ENDPLATE, MACH	1.000 EA
HW4500A01	1641B(ALEMITE)400 UNIV, GREASE FITT	1.000 EA
10XN2520A26	1/4-20X 1 5/8 HEX HD	4.000 EA
HW1001A25	LOCKWASHER 1/4, ZINC PLT .493 OD, .255 I	4.000 EA
HA3101A34	THRUBOLT- 1/4-20 X 10.375	4.000 EA
06FH1005A16	FAN COVER, MACH FOR 36EP1905A14	1.000 EA
WD4100A02	DP-1000 HEYCO PLUG OR 62MP1000 MICRO PL	1.000 EA
10XN2520A36	1/4-20X 2 1/4 HEX HD X	4.000 EA
HW1001A25	LOCKWASHER 1/4, ZINC PLT .493 OD, .255 I	4.000 EA
HA1100A06	SCREEN, RODENT	1.000 EA
51XT1032A04	10-32X1/4 HX WA SL SR TYT (F/S)	4.000 EA
HA6881	BEI HS35 THRU SHAFT ENCODER PROTECTIVE C	1.000 EA
10XN3816A10	3/8-16 X 5/8 HEX HD CAP SCREW	3.000 EA

Parts List (continued)		
Part Number	Description	Quantity
06CB1500A01	CONDUIT BOX LID, MACH	1.000 EA
06GS1001	BALDOR CONDUIT BOX GASKET	1.000 EA
10XN2520A12	O1/4-20X 3/4 HEX HEAD CAP	2.000 EA
HW1001A25	LOCKWASHER 1/4, ZINC PLT .493 OD, .255 I	2.000 EA
HW2501E16	KEY, 1/4 SQ X 1.750	1.000 EA
HA7000A02	KEY RETAINER RING, 1 1/8 DIA, 1 3/8 DIA	1.000 EA
85XU0407S04	4X1/4 U DRIVE PIN STAINLESS	2.000 EA
LB1115N	LABEL,LIFTING DEVICE (ON ROLLS)	1.000 EA
MJ1000A02	GREASE, POLYREX EM EXXON (USe 4824-15A)	0.050 LB
36FN3000C02SP	EXFN, PLASTIC, 5.25 OD, 1.175 ID	1.000 EA
51XB1214A16	12-14X1.00 HXWSSLD SERTYB	1.000 EA
OE5001A128	ENCDR KIT TENV W/OEHS35A56 W/BLIND SHAFT	1.000 EA
MG1025N19	MUNSELL 8.5BG 3.57/2.0, GLOSS 30, B/G,	0.028 GA
LB1119N	WARNING LABEL	1.000 EA
LC0145B01	CONNECTION LABEL	1.000 EA
NP3303L	SS VEC UL CSA CC (W/OUT DESIGN FIELD)	1.000 EA
37PA1039	PALLET PACK GRP, PRINT PK1026A06	1.000 EA
MN416A01	TAG-INSTAL-MAINT no wire (1200/bx) 5/18	1.000 EA

REL. S.O.	ZDVSM3665T	VOLTS	460	ENCLOSURE	TEFC	WYE CONNECTION	CKT OHMS PER PHASE
FRAME	184TC	AMPS	6.6	MAX SAFE RPM	4000	(AT BASE RATING, 25°C)	
HP	5	DUTY	CONT	In (AMPS)	3.2	R1	1.3080 X1 3.6930
BASE SPEED	1750	S.F.	1.0	P.F. @NL/FL	6/79	R2	1.0000 X2 3.2200
PHASE/HZ	3/60	AMB ⁰ C/INSUL	40/F	WK ² (lb-ft ²)	0.382		XM1 81.0550

Rated Full Load Data

	RPM	HP	Torque	Volts	Freq-Hz	Amps
Base Speed	1749	5.0	15.00	460	60	6.63
Max Speed	2622	5.0	10.10	460	90	6.00
Min Speed	0	0.0	15.15	36.44	1.70	6.63

Load Performance at Base Speed

	RPM	HP	Torque	Volts	Freq-Hz	Amps
No Load	1799	0.0	0.00	460	60	3.20
1/4	1788	1.3	3.75	460	60	3.48
1/2	1775	2.5	7.52	460	60	4.26
3/4	1763	3.8	11.20	460	60	5.34
Full Load	1749	5.0	15.00	460	60	6.63
O/L	1679	11.0	34.50	460	60	14.50

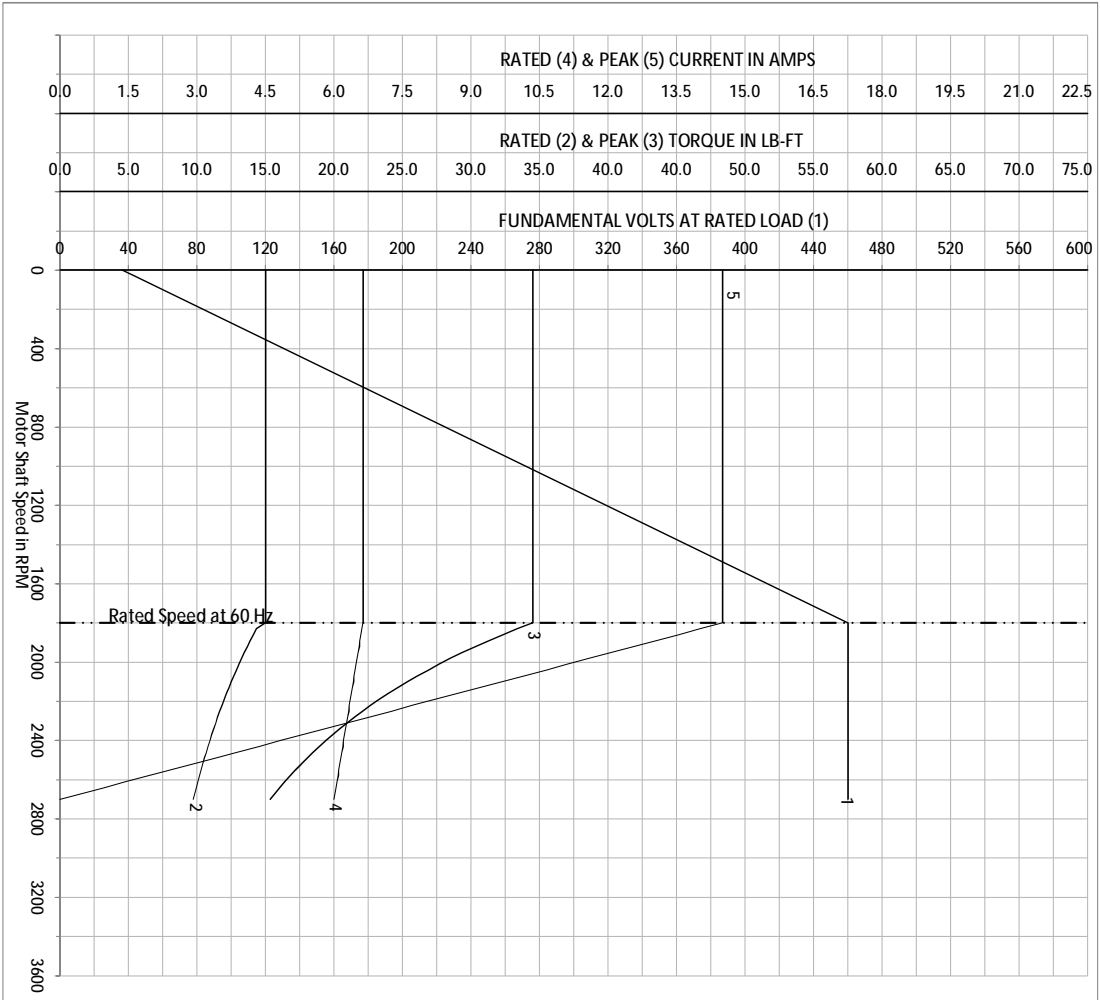
Blower Data	Volts	Ph/Hz	FL Amps	LR Amps	Frame	CFM

Remarks: Calculated Data
Vector PWM Inverter Duty

 <small>A MEMBER OF THE ABB GROUP</small>	<small>DR BY</small> Michael Williams <small>CK BY</small> Michael Williams <small>APP BY</small> Michael Williams <small>DATE</small> 5/14/2013	A-C MOTOR PERFORMANCE CURVES 06H928X182Z1
		ISSUE DATE 5/14/2013

REL. S.O.	ZDVSM3665T	VOLTS	460	ENCLOSURE	TEFC	WYE/CONN EQ CKT OHMS PER PHASE (AT BASE RATING, 25°C)
FRAME	184TC	AMPS	6.6	MAX SAFE RPM	4000	R1 1.3080 X1 3.6930
HP	5	DUTY	CONT	In (AMPS)	3.2	R2 1.0000 X2 3.2200
BASE SPEED	1750	S.F.	1.00	P.F. @NL/FL	6/79	XM 81.0550
PHASE/HZ	3/60	AMB ⁰ /INSUL.	40/F	Wk ² (lb-ft ²)	0.382	

Vector PWM Inverter Duty
Variable Speed AC Motor Curves



Calculated Data

Data Valid For Nameplate Speed Range only

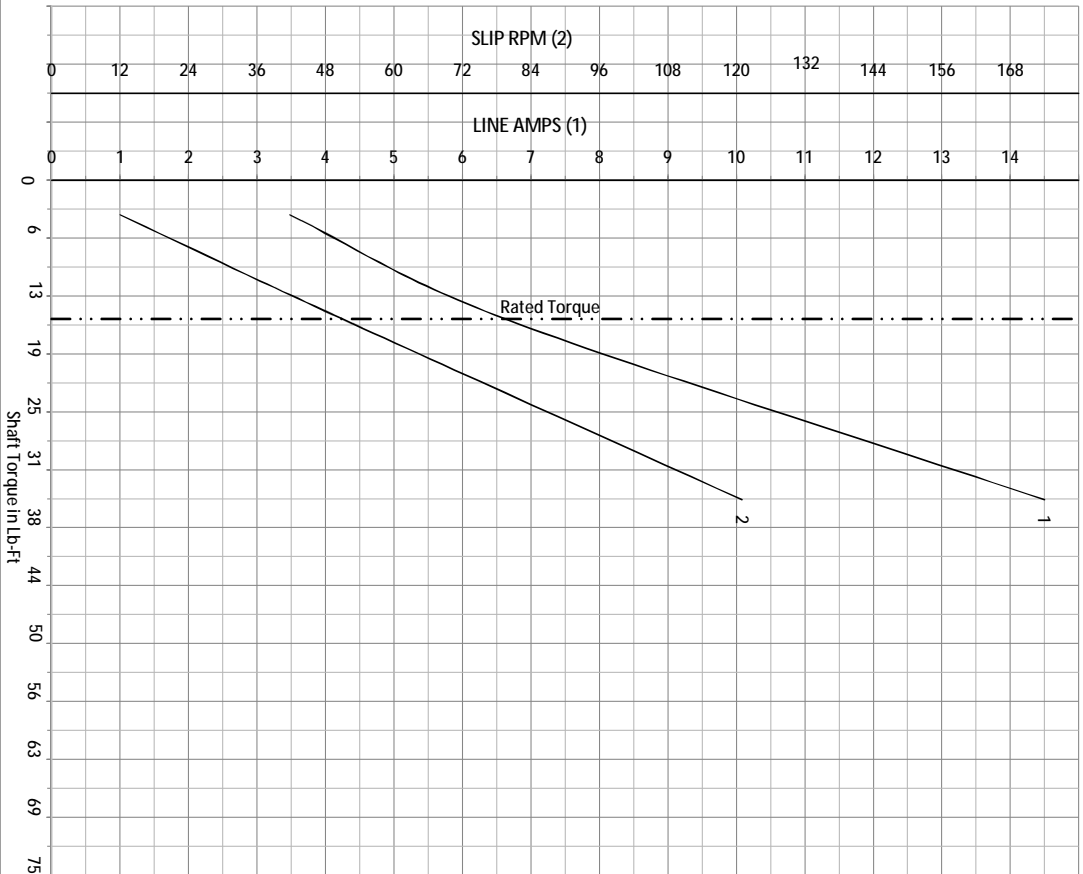
BALDOR
A MEMBER OF THE ABB GROUP

DR BY: Michael Williamson
CK BY: Michael Williamson
APP BY: Michael Williamson
DATE: 5/14/2013

06H928X182Z1
A-C MOTOR PERFORMANCE CURVES
SH 1 of 2
ISSUE DATE: 5/14/2013

REL. S.O.	ZDVSM3665T	VOLTS	460	ENCLOSURE	TEFC	WYE CONN. EQ. CKT OHMS PER PHASE
FRAME	184TC	AMPS	6.6	MAX SAFE RPM	4000	(AT BASE RATING, 25°C)
HP	5	DUTY	CONT	In (AMPS)	3.2	R1 1.3080 X1 3.6930
BASE SPEED	1750	S.F.	1.00	P.F. @N/FL	6/79	R2 1.0000 X2 3.2200
PHASE/HZ	3/60	AMB ⁶ /C/INSUL.	40/F	WK ² (Lb-Ft ²)	0.382	XM 81.0550

Vector PWM Inverter Duty
Variable Speed AC Motor Curves

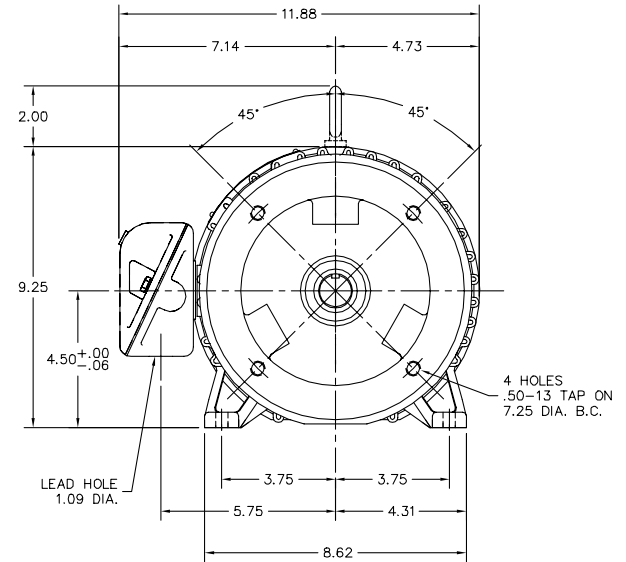
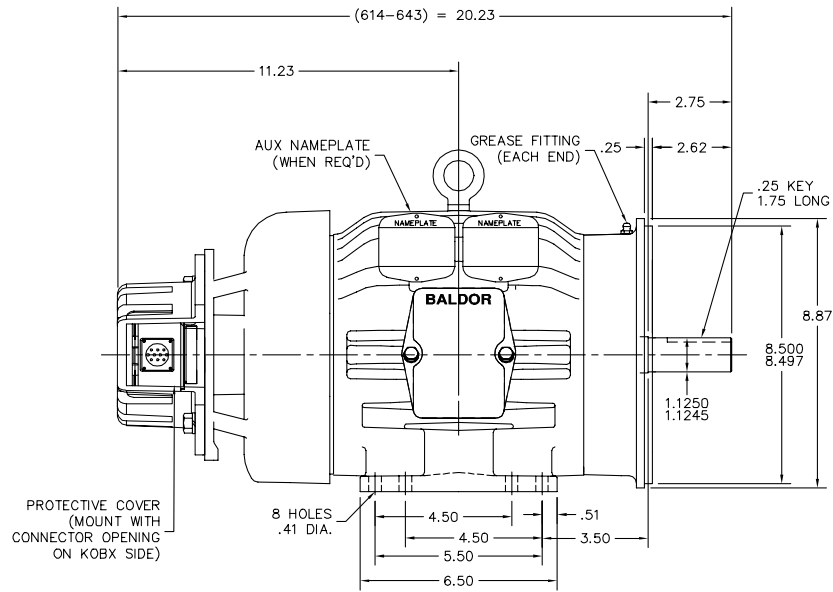


Calculated Data

Data Valid For Nameplate Speed Range only

	DR BY	Michael Williams	A-C MOTOR	06H928X182Z1
	CK BY	Michael Williams	PERFORMANCE CURVES	SH 2 of 2
	APP BY	Michael Williams	ISSUE DATE	5/14/2013
A MEMBER OF THE ABB GROUP	DATE	5/14/2013		

06L.YH92B



CUSTOMER IS RESPONSIBLE FOR DETERMINING THAT BALDOR'S PRODUCT WILL PERFORM SUITABLY IN THE INTENDED APPLICATION.

REV. DESC: ADD GRAPHICS FOR 2 AUX NAMEPLATE	VERSION: 02	TDR: 000001028400
REV. LTR: B	REVISD: 02:16:58 05/15/2017	BY: USZAHAR
FILE: \AAA\00193\774		
MTL: -		

BALDOR

STD HORZ 182-4TC TEFC V* MASTER VECTOR W/ BEI HS35

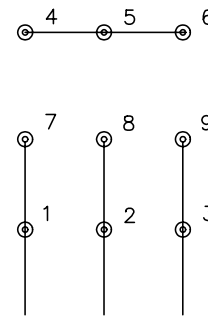
SH 1 of 1

06L.YH92B

CD0005

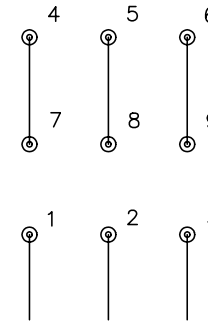


LOW VOLTAGE
(2Y)



LINE

HIGH VOLTAGE
(1Y)



LINE

NOTES:

1. INTERCHANGE ANY TWO LINE LEADS TO REVERSE ROTATION.
2. OPTIONAL THERMOSTATS ARE PROVIDED WHEN SPECIFIED.
3. ACTUAL NUMBER OF INTERNAL PARALLEL CIRCUITS MAY BE A MULTIPLE OF THOSE SHOWN ABOVE.
4. LEAD COLORS ARE OPTIONAL. LEADS MUST ALWAYS BE NUMBERED AS SHOWN.

REV. DESC: REVISE TO SHOW OPTIONAL COLORS

REV. LTR: E BY: JLP

REVISED: 01/19/99 10:15

TDR: 0171435

90000

FILE: AAA00005140

MDL: -

MTL: -

BALDOR ELECTRIC Co.

3PH, DV, 9 LEADS

CD0005