

BALDOR[®] • RELIANCE 

Product Information Packet

ZDM3665T-5

5HP, 1750RPM, 3PH, 60HZ, 184TC, 0640M, TEBC, F1

| Part Detail | | | | | | | |
|-------------|--------|-------------|------------|-------------|--------|---------------|----|
| Revision: | Z | Status: | PRD/A | Change #: | | Proprietary: | No |
| Type: | AC | Elec. Spec: | 06WGW357 | CD Diagram: | CD0006 | Mfg Plant: | |
| Mech. Spec: | 06F552 | Layout: | 06LYF552 | Poles: | 04 | Created Date: | |
| Base: | RG | Eff. Date: | 05-05-2015 | Leads: | 3#16 | | |

| Specs | | | |
|---------------------------------|-------------------------|--------------------------------|-----------------------|
| Catalog Number: | ZDM3665T-5 | Inverter Code: | Inverter Duty |
| Enclosure: | TEBC | KVA Code: | J |
| Frame: | 184TC | Lifting Lugs: | Standard Lifting Lugs |
| Frame Material: | Iron | Locked Bearing Indicator: | Locked Bearing |
| Output @ Frequency: | 5.000 HP @ 60 HZ | Motor Lead Quantity/Wire Size: | 3 @ 16 AWG |
| Synchronous Speed @ Frequency: | 1800 RPM @ 60 HZ | Motor Lead Exit: | Ko Box |
| Voltage @ Frequency: | 575.0 V @ 60 HZ | Motor Lead Termination: | Flying Leads |
| XP Class and Group: | None | Motor Type: | 0640M |
| XP Division: | Not Applicable | Mounting Arrangement: | F1 |
| Agency Approvals: | UR | Power Factor: | 80 |
| | CSA | Product Family: | General Purpose |
| Auxillary Box: | No Auxillary Box | Pulley End Bearing Type: | Ball |
| Auxillary Box Lead Termination: | None | Pulley Face Code: | C-Face |
| Base Indicator: | Rigid | Pulley Shaft Indicator: | Standard |
| Bearing Grease Type: | Polyrex EM (-20F +300F) | Rodent Screen: | None |
| Blower: | 115V 1-Phase EXT | Shaft Extension Location: | Pulley End |
| Current @ Voltage: | 5.200 A @ 575.0 V | Shaft Ground Indicator: | No Shaft Grounding |
| Design Code: | B | Shaft Rotation: | Reversible |

| | | | |
|---------------------------------------|---------------------------|------------------------------------|----------------------------|
| Drip Cover: | No Drip Cover | Shaft Slinger Indicator: | No Slinger |
| Duty Rating: | CONT | Speed Code: | Single Speed |
| Electrically Isolated Bearing: | Not Electrically Isolated | Motor Standards: | NEMA |
| Feedback Device: | ENCODER | Starting Method: | Direct on line |
| Front Face Code: | Encoder/Feedback Device | Thermal Device - Bearing: | None |
| Front Shaft Indicator: | None | Thermal Device - Winding: | Normally Closed Thermostat |
| Heater Indicator: | No Heater | Vibration Sensor Indicator: | No Vibration Sensor |
| Insulation Class: | H | Winding Thermal 1: | None |
| | | Winding Thermal 2: | None |

| Nameplate NP1167L | |
|-------------------|----------------------|
| CAT NO | ZDM3665T-5 |
| SPEC. | 06F552W357Z1 |
| FRAME | 184TC HP 5 TE |
| VOLTS | 575 |
| MAG CUR | 2.7 FLA 5.2 |
| RPM | 1750 RPM MAX 6000 |
| HZ | 60 PH 3 CLASS H |
| SER.F. | 1.00 DES B SL HZ 1.7 |
| NEMA-NOM-EFF | 90.2 WK2 0.37 |
| BLWR V | 115 PH 1 HZ 60 A .26 |
| RATING | 40C AMB-CONT |
| DE BRG | 6206 ODE BRG 6205 |
| CC | 010A SN |

| Parts List | | |
|-------------|---|----------|
| Part Number | Description | Quantity |
| SA056382 | SA 06F552W357Z1 | 1.000 EA |
| RA050938 | RA 06F552W357Z1 | 1.000 EA |
| HW3201A05 | 3/8-16 EYEBOLT | 1.000 EA |
| 06CB3000 | BALDOR CONDUIT BOX CAST | 1.000 EA |
| 06GS1000 | GASKET,CONDUIT BOX | 1.000 EA |
| 51XW2520A12 | SCREW, HEX SER SLT HD, ZN, 1/4-20 X .75 | 2.000 EA |
| 51XW2520A12 | .25-20 X .75, TAPTITE II, HEX WSHR SLTD | 2.000 EA |
| 11XW1032G06 | 10-32 X .38, TAPTITE II, HEX WSHR SLTD U | 1.000 EA |
| HW3001B01 | BRASS CUP WASHER, FOR #10 SCREW | 1.000 EA |
| 36EP1101B41 | FR TEBC 205 BRG W/ GR SR & THRU-SHAFT ENC | 1.000 EA |
| HW4500A01 | 1641B(ALEMITE)400 UNIV, GREASE FITT | 1.000 EA |
| HW5100A05 | WVY WSHR F/205 & 304 BRGS | 1.000 EA |
| 36PE1300A01 | PU ENDPLATE, MACH | 1.000 EA |
| HW4500A01 | 1641B(ALEMITE)400 UNIV, GREASE FITT | 1.000 EA |
| 10XN2520A26 | 1/4-20X 1 5/8 HEX HD | 4.000 EA |
| HW1001A25 | LOCKWASHER 1/4, ZINC PLT .493 OD, .255 I | 4.000 EA |
| HA3101A34 | THRUBOLT- 1/4-20 X 10.375 | 4.000 EA |
| 10XN2520A08 | 1/4-20X1/2 HEX HEAD CAP | 1.000 EA |
| HA3218A05 | M/FE STANDOFF UNIC#SX1043.25-20 .38 HEX | 3.000 EA |
| 10XN2520A06 | 1/4 20X3/8 HX HD CAP | 3.000 EA |
| HW1001A25 | LOCKWASHER 1/4, ZINC PLT .493 OD, .255 I | 3.000 EA |
| 06CB3500 | BALDOR CONDUIT BOX LID | 1.000 EA |
| 06GS1001 | BALDOR CONDUIT BOX GASKET | 1.000 EA |
| HA1005A03SP | SLINGER, OD 1.750, ID .938, 205 BRG | 1.000 EA |

| Parts List (continued) | | |
|------------------------|--|----------|
| Part Number | Description | Quantity |
| HW2501E16 | KEY, 1/4 SQ X 1.750 | 1.000 EA |
| HA7000A02 | KEY RETAINER RING, 1 1/8 DIA, 1 3/8 DIA | 1.000 EA |
| MJ5004A05 | #242-21 LOCTITE GENERAL PURPOSE MED. STR | 0.005 EA |
| 85XU0407S04 | 4X1/4 U DRIVE PIN STAINLESS | 2.000 EA |
| LB1115N | LABEL,LIFTING DEVICE (ON ROLLS) | 1.000 EA |
| LB1009N | LABEL,ROTATION DIRECTION (ON ROLLS) | 1.000 EA |
| MJ1000A02 | GREASE, POLYREX EM EXXON (USe 4824-15A) | 0.050 LB |
| 06FH5001A01 | BLOWER ASSY. 06FH4001, EF0001 | 1.000 EA |
| MG1000G27 | MED CHARCOAL METALLIC GREY 400-0096 | 0.028 GA |
| LC0035B01 | 1PH, SV, FIX, 2 LEAD | 1.000 EA |
| OE5011A04 | HS25 ENCODER ASSY - TEBC | 1.000 EA |
| LC0006 | CONNECTION LABEL | 1.000 EA |
| LB1119N | WARNING LABEL | 1.000 EA |
| NP1167L | SS VEC UL CSA CC | 1.000 EA |
| G0PA1000 | PKG GRP, PRINT PK1026A06 | 1.000 EA |
| MN416A01 | TAG-INSTAL-MAINT no wire (1200/bx) 5/18 | 1.000 EA |



AC Induction Motor Performance Data

Record # 20660

Typical performance - not guaranteed values

| | | |
|--------------------------|--------------------|------------------------|
| Winding: 06WGW357 | Type: 0640M | Enclosure: TEBC |
|--------------------------|--------------------|------------------------|

| Nameplate Data | | | General Characteristics at 575 V, 60 Hz: Single Volt Motor | | |
|-------------------|--------------|----------|---|-----------|--|
| Rated Output (HP) | 5 | | Full Load Torque | 15 LB-FT | |
| Volts | 575 | | Start Configuration | DOL | |
| Full Load Amps | 5.2 | | Break Down Torque | 50 LB-FT | |
| R.P.M. | 1750 | | Pull-Up Torque | 30 LB-FT | |
| Hz | 60 | Phase | Locked-rotor Torque | 32 LB-FT | |
| NEMA Design Code | B | KVA Code | Starting Current | 38 Amps | |
| Service Factor | 1.00 | | No-load Current | 2.7 Amps | |
| NEMA Nom. Eff. | 90.2 | P.F. | Line-line Res. @ 25°C. | 3.86 Ohms | |
| Rating - Duty | 40C AMB-CONT | | Temp. Rise @ Rated Load | 47°C | |
| S.F. Amps | | | Temp. Rise @ S.F. Load | | |

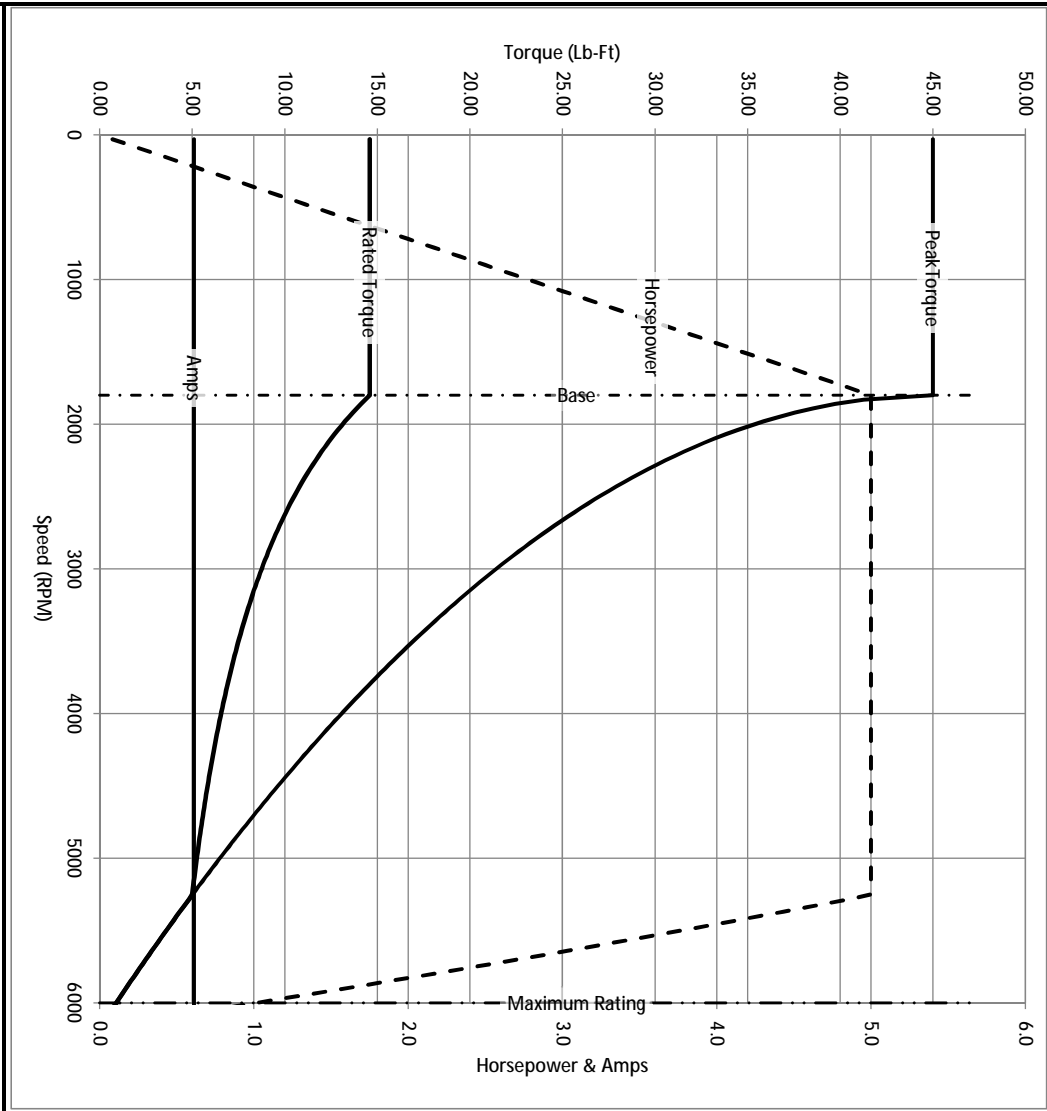
Load Characteristics at 575 Volts, 60 Hz, 5 HP

| | | | | | | | |
|-----------------|------|------|------|------|------|------|------|
| % of Rated Load | 25 | 50 | 75 | 100 | 125 | 150 | S.F. |
| Power Factor | 39 | 61 | 75 | 82 | 86 | 88 | |
| Efficiency | 84.1 | 89.4 | 90.4 | 90.2 | 89.4 | 88.3 | |
| Speed | 1789 | 1778 | 1767 | 1755 | 1742 | 1729 | |
| Line Amperes | 2.9 | 3.4 | 4.2 | 5.1 | 5.8 | 7.2 | |

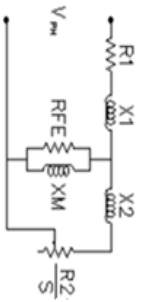
Baldor Electric Company Fort Smith, Arkansas



| | | | | | | | | | |
|------------|------------|---------------------------|------|---------------------------------------|-------|---|-------|---------|-------|
| Catalog | ZDM3665T-5 | NIP VOLTS | 575 | ENCLOSURE | TEBC | WYE CONNECTION OHMS PER PHASE (BASE RATING, 200°) | | | |
| FRAME | 184TC | NIP AMPS | 5.2 | Base Volts | 575 | R1 | 1.890 | X1 | 4.353 |
| HP | 5 HP | DUTY | Cont | Base AMPS | 5.1 | R2 | 1.530 | X2 | 3.402 |
| BASE SPEED | 1800 | MAX SAFE RPM | 6000 | Slip Hz | 1.50 | XMI | | 122.943 | |
| PHASE/HZ | 3/60 | AMB ⁶ /C/INSUL | 40/H | WK ² (lb-ft ²) | 0.372 | | | | |



Remarks: Calculated Data



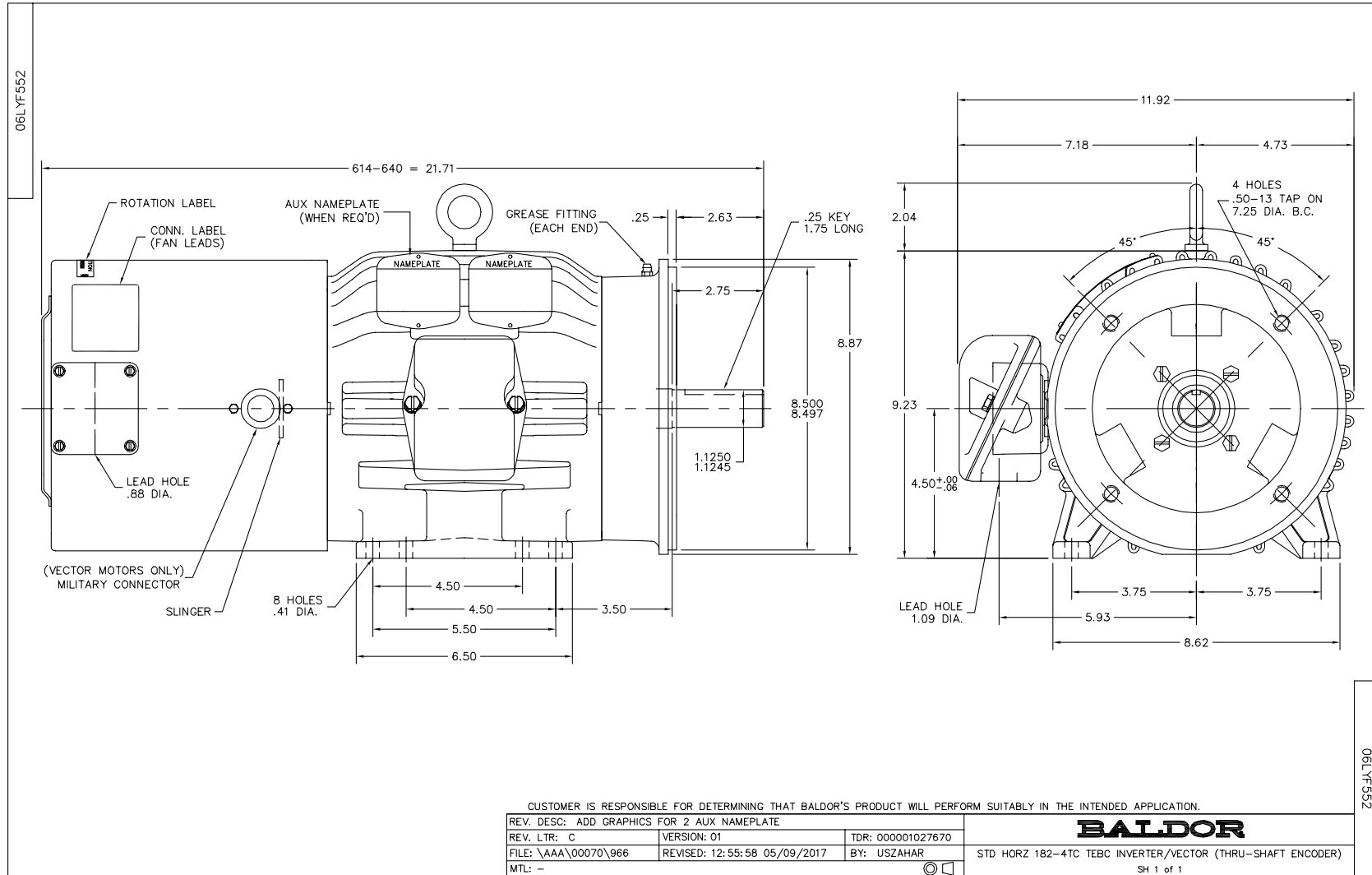
BALDOR DR BY ENR
 CK BY
 APP BY ENR
 DATE 2/26/2013

A MEMBER OF THE ABB GROUP

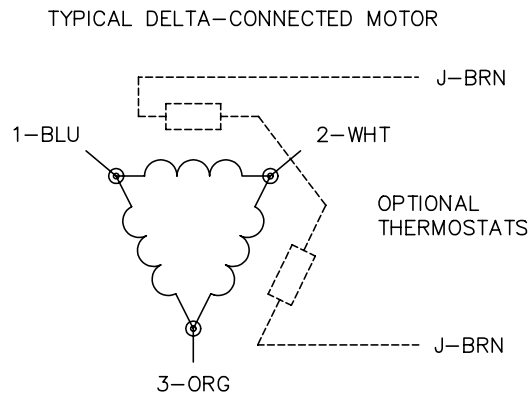
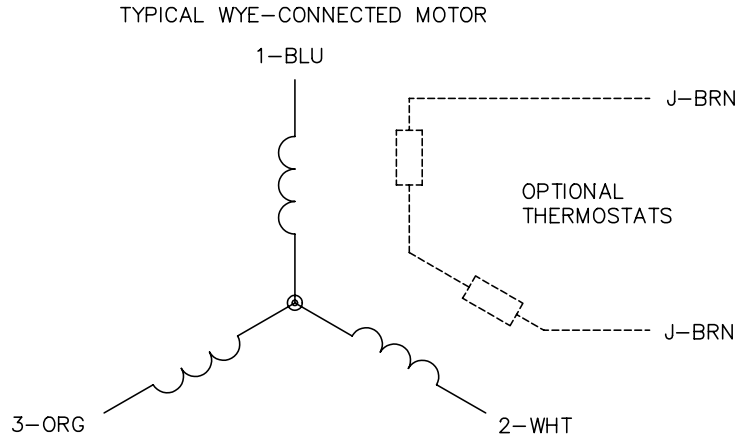
A-C MOTOR PERFORMANCE CURVES

06F552W357Z1

ISSUE DATE 2/26/2013



CD0006



NOTES:

1. THREE LEAD MOTOR MAY BE EITHER WYE CONNECTED OR DELTA CONNECTED.
2. INTERCHANGE ANY TWO LINE LEADS TO REVERSE ROTATION.
3. OPTIONAL THERMOSTATS ARE PROVIDED WHEN SPECIFIED.
4. ACTUAL NUMBER OF INTERNAL PARALLEL CIRCUITS MAY VARY.
5. LEAD COLORS ARE OPTIONAL. LEADS MUST BE NUMBERED AS SHOWN.

| | | | |
|---|---------|------------------------|--------------|
| REV. DESC: REVISE TO SHOW OPTIONAL COLORS | | | |
| REV. LTR: D | BY: JLP | REVISED: 01/21/99 4:02 | TDR: 0171435 |
| 9000D | | FILE: AAA00005141 | MDL: - |
| | | MTL: - | |

BALDOR ELECTRIC Co.

3PH, SV, 3 LEADS, WYE OR DELTA CONNECTED

CD0006