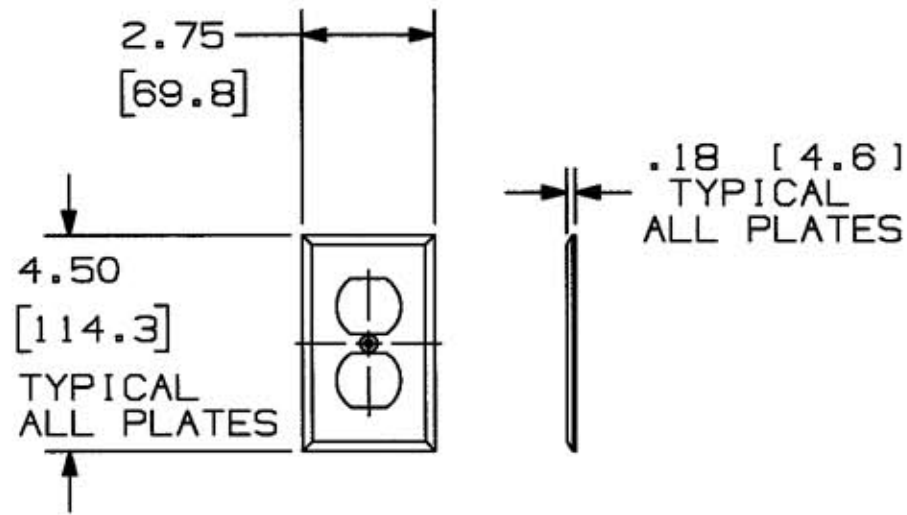
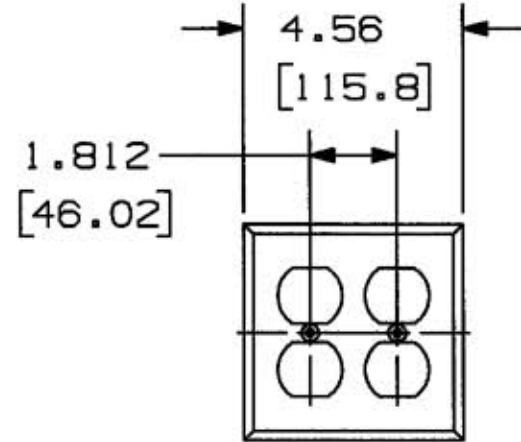


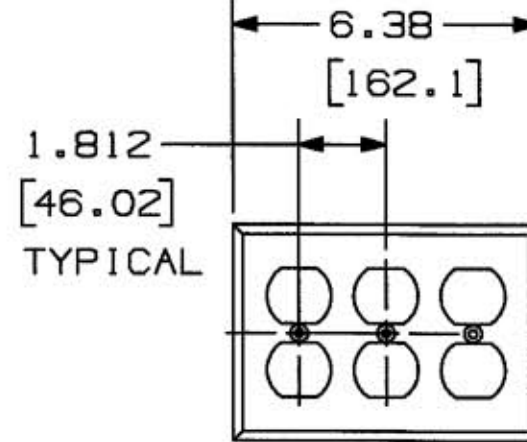
M-10210 1



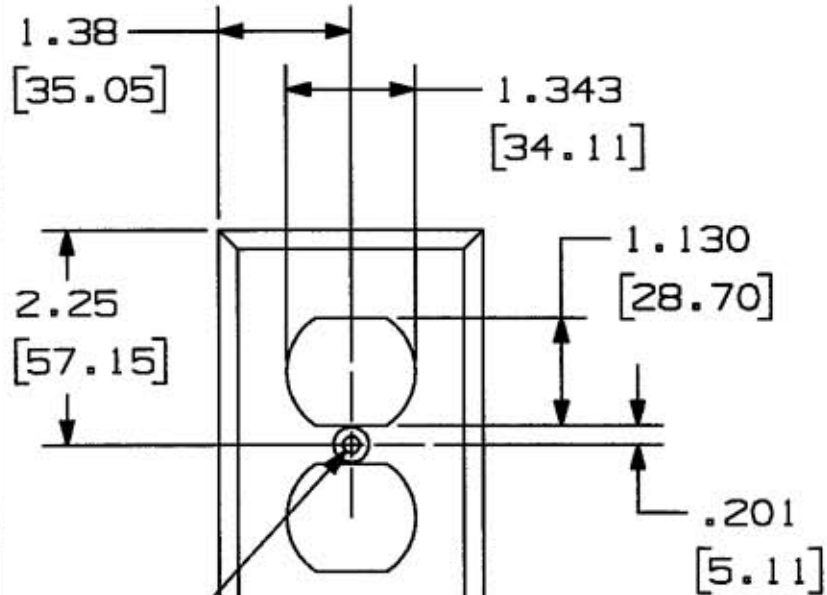
1 GANG



2 GANG



3 GANG



ϕ .175 [4.44] THRU
CSK. ϕ .312 [7.92] X 82°

TYPICAL DIMENSIONS

CAT. NO.	SP8AL	SP82AL	SP83AL	SP8G	SP82G
NO. GANG	1	2	3	1	2
COLOR	ALMOND	ALMOND	ALMOND	GRAY	GRAY

NOTE: ALL DIMENSIONS IN INCHES AND (MM)

LIST OF PARTS

DESCRIPTION	MATERIAL	FINISH
WALLPLATE	STEEL	PAINTED
#8-32 SCREWS	STEEL	(NOT SHOWN)

1	RELEASED PER DCN 13209	FD	6-14-06
SYM	REVISIONS	APP	DATE

THE DESIGN AND DIMENSIONS OF THE
PRODUCT SHOWN ON THIS DRAWING ARE
SUBJECT TO CHANGE WITHOUT NOTICE

TITLE
WALL PLATE, PAINTED STEEL
DUPLEX RECEPTACLES

TOLERANCES UNLESS OTHERWISE SPECIFIED	WIRING DEVICE-KELLEMS HUBBELL INCORPORATED BRIDGEPORT, CT	
FRACTIONS ± 1/64	DR. BY AMM	APP. BY <i>[Signature]</i>
DECIMALS ± .005	TR. BY <i>[Signature]</i>	SCALE 1:1
ANGLES ± 2°	CHK'D BY <i>[Signature]</i>	DATE 6-14-06