

Straight Blade Devices
 20A, 125V, 2 Pole, 3 Wire Grounding
 Extra Heavy Duty Hospital Grade
 SNAPConnect® Receptacle

HUBBELL

Features

- Tamper-resistant shutter complies with national electrical code requirements
- Audible SNAP, indicates solid connection
- Reduces installation time
- Fully insulated design
- Fully insulated design

Ordering Information

Description	Device Color	UPC	Catalog Number
Hospital grade, tamper-resistant with power indicating LED, smooth face	Light Almond	783585250229	SNAP8300LALTR



Listings

UL Listed to UL498 File No. E2186
 Certified to CSA, C22.2, No. 42 File 285
 Fed. Spec. W-C-596
 NEMA® WD-6 Compliant

Specifications

Face	Nylon
Base	PBT
Power Contacts	Brass
Ground Contacts	Brass
Mounting Strap	Galvanized steel
Automatic Self-grounding Staple	Stainless steel
Mounting Screws	Zinc plated steel

Performance

Electrical

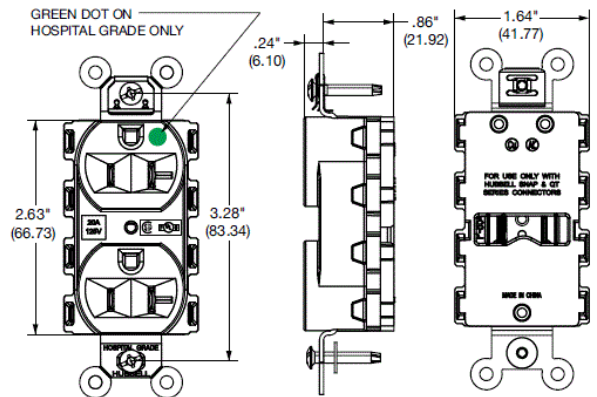
Current Interrupting	Receptacle certified for current interrupting at full rated current
Dielectric Voltage	Withstands 2,000V minimum

Mechanical

Product Identification	Ratings are a permanent part of the device
------------------------	--

Environmental

Flammability	UL 94V-2
Operating Temperature	Maximum continuous 75°C; minimum -40°C (without impact)



Accessories

Wallplate or Weatherproof Cover Duplex Opening

Resources

eCatalog

Dimensions in Inches (mm)

Hubbell Wiring Device-Kellems • Hubbell Incorporated (Delaware) • 40 Waterview Drive • Shelton, CT 06484

Phone (800) 288-6000 • Fax (800) 255-1031 • Specifications subject to change without notice.

