

Straight Blade Devices  
 15A, 125V, 2 Pole, 3 Wire Grounding  
 Extra Heavy Duty SNAPConnect®  
 Receptacles

# HUBBELL



## Features

- Green LED Power Indicators
- Tamper-resistant shutter complies with national electrical code requirements
- Audible SNAP, indicates solid connection
- Reduces installation time
- Fully insulated design

## Ordering Information

Description	Device Color	UPC	Catalog Number
Specification grade, Tamper-Resistant, with Power Indicating LED, smooth face	Black	783585250281	SNAP5262BKLTR



## Listings

UL Listed to UL498 File No. E2186  
 Certified to CSA, C22.2, No. 42 File 285  
 Fed. Spec. W-C-596  
 NEMA® WD-6 Compliant

## Specifications

Face	Nylon
Base	PBT
Contacts	Brass
Mounting Strap	Galvanized steel
Auto Self-grounding Staple	Stainless steel
Mounting Screws	Zinc plated steel

## Performance

### Electrical

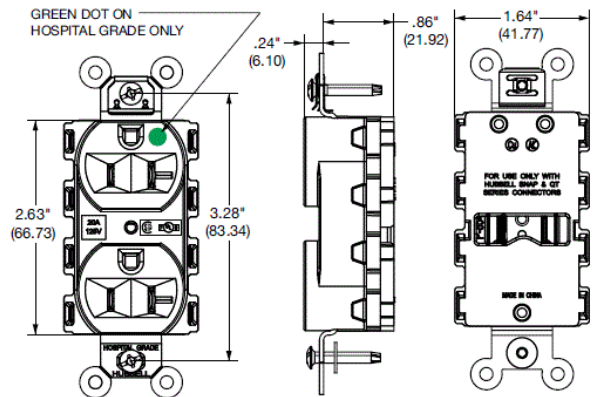
Current Interrupting	Receptacle certified for current interrupting at full rated current
Dielectric Voltage	Withstands 2,000V minimum

### Mechanical

Product Identification	Ratings are a permanent part of the device
------------------------	--

### Environmental

Flammability	UL 94V-2
Operating Temperature	Maximum continuous 75°C; minimum -40°C (without impact)



## Accessories

Wallplate or Weatherproof Cover Duplex Opening

## Resources

eCatalog

Dimensions in Inches (mm)

Hubbell Wiring Device-Kellems • Hubbell Incorporated (Delaware) • 40 Waterview Drive • Shelton, CT 06484

Phone (800) 288-6000 • Fax (800) 255-1031 • Specifications subject to change without notice.

