

Straight Blade Devices 20A, 125V, 2 Pole, 3 Wire Grounding SNAPConnect® Receptacle

HUBBELL

Features

- Audible SNAP, indicates solid connection
- Audible SNAP, indicates solid connection
- Reduces installation time
- Fully insulated design

Ordering Information

Description	Device Color	UPC	Catalog Number
Hospital grade, Style Line® decorator, tamper-resistant	Light Almond	783585249025	SNAP2182LATR

Listings

UL Listed to UL498 File No. E2186
 Certified to CSA, C22.2, No. 42 File 285
 Fed. Spec. W-C-596
 NEMA® WD-6 Compliant

Specifications

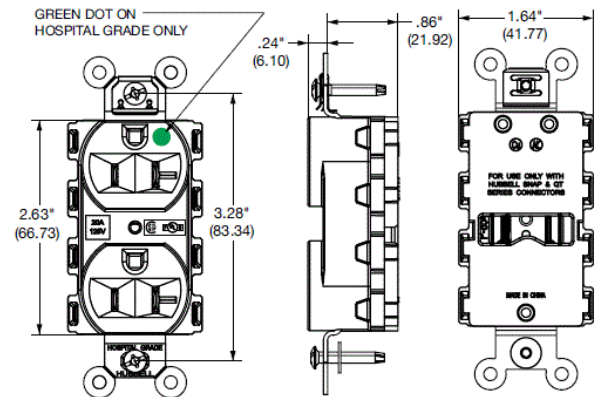
Face	Nylon
Base	PBT
Power Contact	Brass
Ground Contacts	Brass
Mounting Strap	Galvanized steel
Automatic Self-grounding Staple	Stainless steel
Mounting Screws	Zinc plated steel

Performance

Electrical	
Current Interrupting	Receptacle certified for current interrupting at full rated current
Dielectric Voltage	Withstands 2,000V minimum

Mechanical	
Product Identification	Ratings are a permanent part of the device

Environmental	
Flammability	UL 94V-2
Operating Temperature	Maximum continuous 75°C; minimum -40°C (without impact)



Accessories

Wallplate or Weatherproof Cover StyleLine® Decorator Opening

Resources

eCatalog

Dimensions in Inches (mm)

Hubbell Wiring Device-Kellems • Hubbell Incorporated (Delaware) • 40 Waterview Drive • Shelton, CT 06484

Phone (800) 288-6000 • Fax (800) 255-1031 • Specifications subject to change without notice.

