

# Straight Blade Devices 20A, 125V, 2 Pole, 3 Wire Grounding SNAPConnect® Receptacle

# HUBBELL

## Features

- Audible SNAP, indicates solid connection
- Audible SNAP, indicates solid connection
- Reduces installation time
- Fully insulated design

## Ordering Information

Description	Device Color	UPC	Catalog Number
Hospital grade, Style Line® decorator, tamper-resistant	Black	783585249001	SNAP2182BKTR

## Listings

UL Listed to UL498 File No. E2186  
 Certified to CSA, C22.2, No. 42 File 285  
 Fed. Spec. W-C-596  
 NEMA® WD-6 Compliant

## Specifications

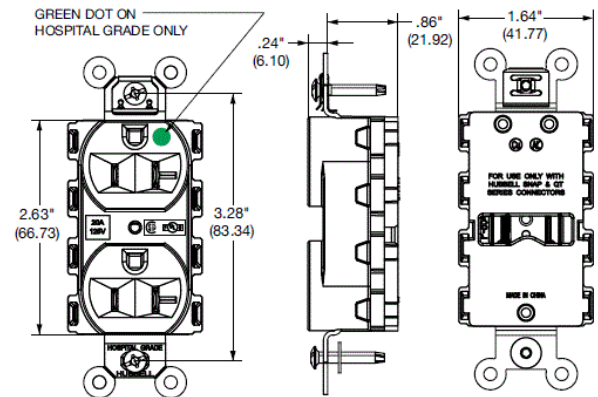
Face	Nylon
Base	PBT
Power Contact	Brass
Ground Contacts	Brass
Mounting Strap	Galvanized steel
Automatic Self-grounding Staple	Stainless steel
Mounting Screws	Zinc plated steel

## Performance

<b>Electrical</b>	
Current Interrupting	Receptacle certified for current interrupting at full rated current
Dielectric Voltage	Withstands 2,000V minimum

<b>Mechanical</b>	
Product Identification	Ratings are a permanent part of the device

<b>Environmental</b>	
Flammability	UL 94V-2
Operating Temperature	Maximum continuous 75°C; minimum -40°C (without impact)



## Accessories

Wallplate or Weatherproof Cover StyleLine® Decorator Opening

## Resources

eCatalog

Dimensions in Inches (mm)

Hubbell Wiring Device-Kellems • Hubbell Incorporated (Delaware) • 40 Waterview Drive • Shelton, CT 06484

Phone (800) 288-6000 • Fax (800) 255-1031 • Specifications subject to change without notice.

