

Straight Blade Devices
 20A, 125V, 2 Pole, 3 Wire Grounding
 Extra Heavy Duty SNAPConnect®
 Receptacles

HUBBELL

Features

- Green LED Power Indicators
- Tamper-resistant shutter complies with national electrical code requirements
- Aesthetic Style Line® decorator design
- Audible SNAP, indicates solid connection
- Reduces installation time

Ordering Information

Description	Device Color	UPC	Catalog Number
Specification grade, Tamper-Resistant with Power Indicating LED, Style Line® decorator face.	Light Almond	783585248257	SNAP2162LALTR



Listings

UL Listed to UL498 File No. E2186
 Certified to CSA, C22.2, No. 42 File 285
 Fed. Spec. W-C-596
 NEMA® WD-6 Compliant

Specifications

Face	Nylon
Base	PBT
Contacts	Brass
Mounting Strap	Galvanized steel
Auto Self-grounding Staple	Stainless steel
Mounting Screws	Zinc plated steel

Performance

Electrical

Current Interrupting Receptacle certified for current interrupting at full rated current with equivalently rated NEMA® plug

Dielectric Voltage Withstands 2,000V minimum

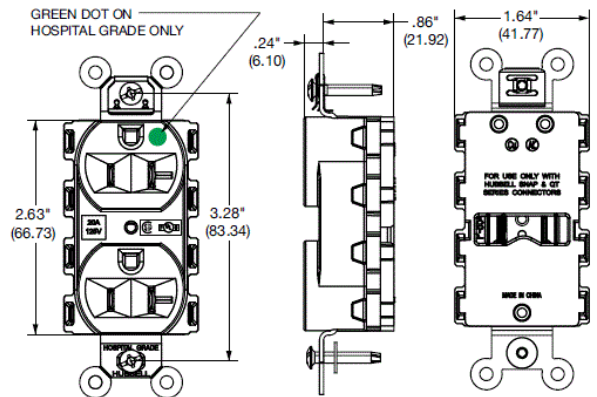
Mechanical

Product Identification Ratings are a permanent part of the device

Environmental

Flammability UL 94V-2

Operating Temperature Maximum continuous 75°C; minimum -40°C (without impact)



Accessories

Wallplate or Weatherproof Cover StyleLine® Decorator Opening

Resources

eCatalog

Dimensions in Inches (mm)

Hubbell Wiring Device-Kellems • Hubbell Incorporated (Delaware) • 40 Waterview Drive • Shelton, CT 06484

Phone (800) 288-6000 • Fax (800) 255-1031 • Specifications subject to change without notice.

