

Switches, Three Way  
 20A, 120-277V AC  
 SNAPConnect® Heavy Duty Toggle  
 Switches

# HUBBELL

## Features

- Steel, zinc plated bridge is corrosion resistant
- Thread cleaning captive mounting screw
- Automatic self-grounding staple assures continuity to wall box

## Ordering Information

Description	Toggle Color	UPC	Catalog Number
SNAPConnect® Toggle	White	783585189444	SNAP1223WNA

## Listings

UL Listed  
 CSA Certified  
 Fed. Spec. W-S-896

## Specifications

Top Material	Thermoplastic, Red
Base Material	Thermoplastic, Black
Toggle Material	Thermoplastic
Contacts	Silver Alloy
Terminals	Brass

## Performance

### Electrical

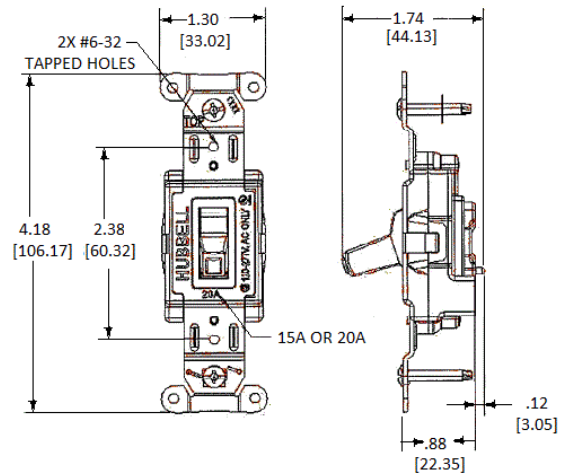
Dielectric Voltage	Withstands 1500V AC minimum for 1 minute
Max. Continuous Current	20A
Max. Working Voltage	277V AC
Overload	Minimum 4.8 times rated current for 100 cycles
Temperature Rise	30°C maximum at rated current

### Mechanical

Terminal Accommodations Uses SNAPConnect Connector

### Environmental

Flammability	UL 94V-2
Operating Temperature	Max. continuous: 75°C; Min. continuous: -40°C without impact



## Online Resources

Customer Use Drawing  
 eCatalog  
 Installation Instructions

Dimensions in Inches (mm)

Hubbell Wiring Device-Kellems • Hubbell Incorporated (Delaware) • 40 Waterview Drive • Shelton, CT 06484

Phone (800) 288-6000 • Fax (800) 255-1031 • Specifications subject to change without notice.

