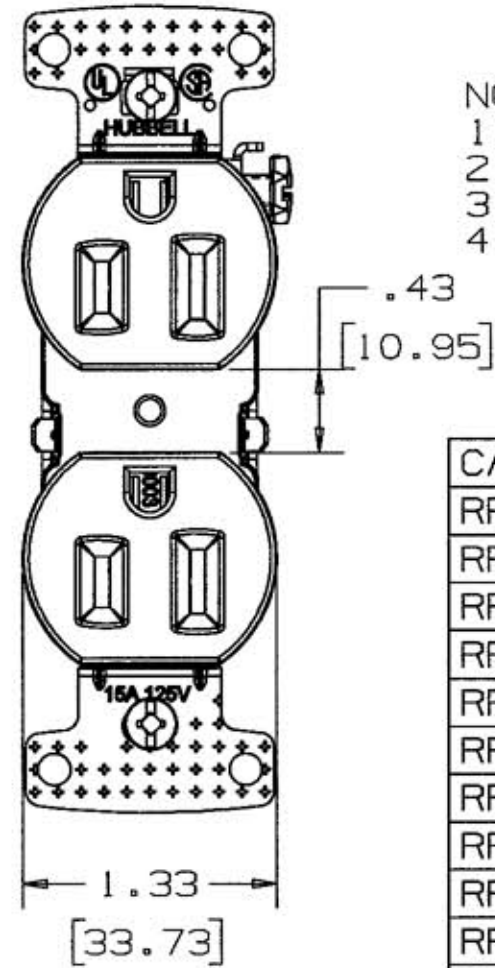
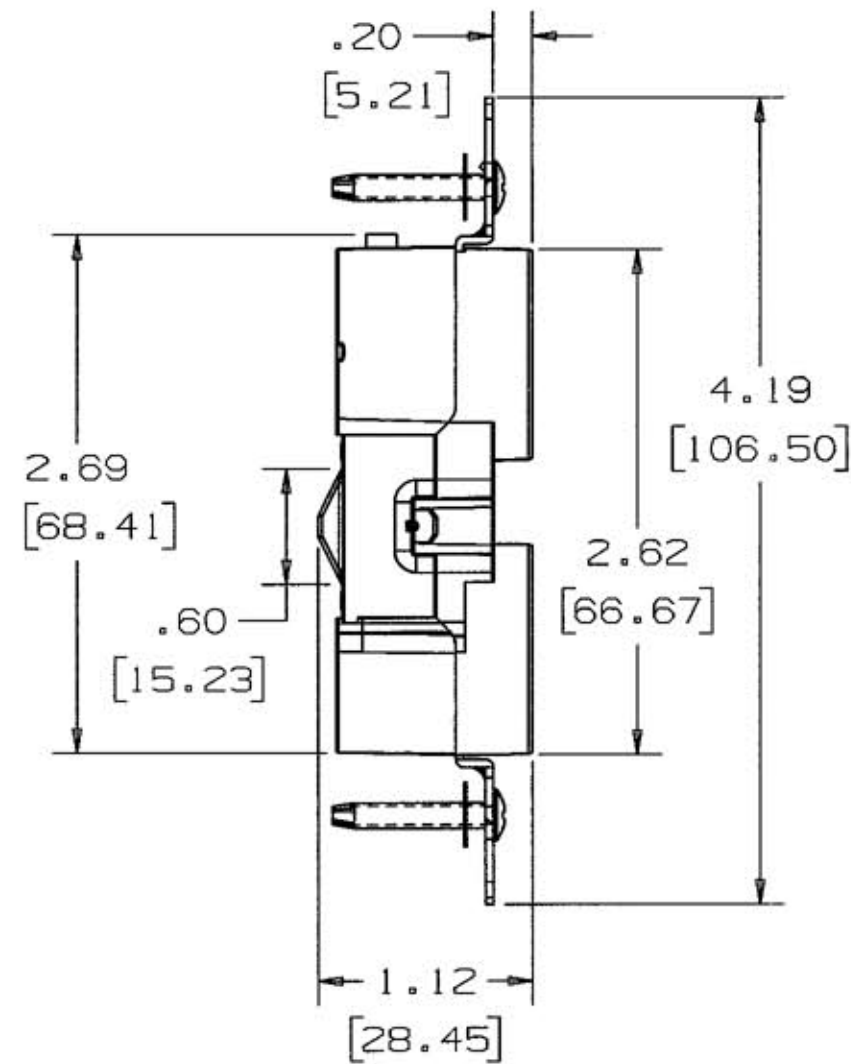


M-10719

1



NOTE:
 1) #14 SOLID COPPER WIRE ONLY
 2) DIM'S ARE IN INCHES [MM].
 3) 'TR' INDICATES TO TAMPER RESIST.
 4) 'QT' INDICATES TO QUICK THREAD.

CATALOG NO'S	COLOR & DESCRIPTION
RR15E	BROWN, STD
RR15EI	IVORY, STD
RR15EW	WHITE, STD
RR15EGY	GRAY, STD
RR15EBK	BLACK, STD
RR15EAL	ALMOND, STD
RR15ELA	LIGHT ALMOND, STD
RR15ETR	BROWN, STD TR
RR15ETRI	IVORY, STD TR
RR15ETRW	WHITE, STD TR
RR15ETRGY	GRAY, STD TR
RR15ETRBK	BLACK, STD TR
RR15ETRAL	ALMOND, STD TR
RR15ETRLA	LIGHT ALMOND, STD TR
RR15EQ	BROWN, QT
RR15EQI	IVORY, QT
RR15EQW	WHITE, QT
RR15EQGY	GRAY, QT
RR15EQBK	BLACK, QT
RR15EQAL	ALMOND, QT
RR15EQLA	LIGHT ALMOND, QT
RR15EQTR	BROWN, QT TR
RR15EQTRI	IVORY, QT TR
RR15EQTRW	WHITE, QT TR
RR15EQTRGY	GRAY, QT TR
RR15EQTRBK	BLACK, QT TR
RR15EQTRAL	ALMOND, QT TR
RR15EQTRLA	LIGHT ALMOND, QT TR

CATALOG NO'S	COLOR & DESCRIPTION
RR15EK	BROWN, W/O EAR
RR15EKI	IVORY, W/O EAR
RR15EKW	WHITE, W/O EAR
RR15EKGY	GRAY, W/O EAR
RR15EKBK	BLACK, W/O EAR
RR15EKAL	ALMOND, W/O EAR
RR15EKLA	LIGHT ALMOND, W/O EAR
RR15ETRK	BROWN, TR W/O EAR
RR15ETRKI	IVORY, TR W/O EAR
RR15ETRKW	WHITE, TR W/O EAR
RR15ETRKGY	GRAY, TR W/O EAR
RR15ETRKBK	BLACK, TR W/O EAR
RR15ETRKAL	ALMOND, TR W/O EAR
RR15ETRKLA	LIGHT ALMOND, TR W/O EAR

LIST OF PARTS

DESCRIPTION	MATERIAL	FINISH
COVER	PLASTIC	SEE TABLE
DRIVE SCREW	STEEL	ZINC
BASE	PLASTIC	YELLOW
BRIDGE	STEEL	ZINC
TERM CONTACT	BRASS	
WASHER	PLASTIC	
SCREW	STEEL	ZINC

DIMENSION SHEET FOR CAT. NO.

SEE TABLE

REPAIRABLE

NON-REPAIRABLE

B

M-10719

1

1	07/21/07 RELEASED TO PRODUCTION PER DCN 14176, FJ	FJ	7/21/07
SYM	REVISIONS	APP	DATE

THE DESIGN AND DIMENSIONS OF THE PRODUCT SHOWN ON THIS DRAWING ARE SUBJECT TO CHANGE WITHOUT NOTICE

TITLE
 8-HOLE PUSH WIRE RECEPTACLE

TOLERANCES UNLESS OTHERWISE SPECIFIED FRACTIONS ± 1/64 DECIMALS ± .005 ANGLES ± 2°	WIRING DEVICE-KELLEMS HUBBELL INCORPORATED BRIDGEPORT, CT.	
	DR. BY FJ	APP. BY RK
	TR. BY	SCALE 1:1
	CHK'D BY RK	DATE 7/19/07