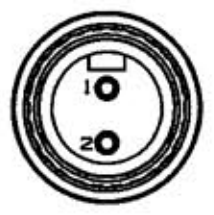


M-9465 2



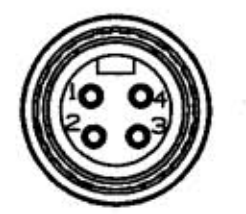
2 POLE
(MALE FACE)
(SHOWN)



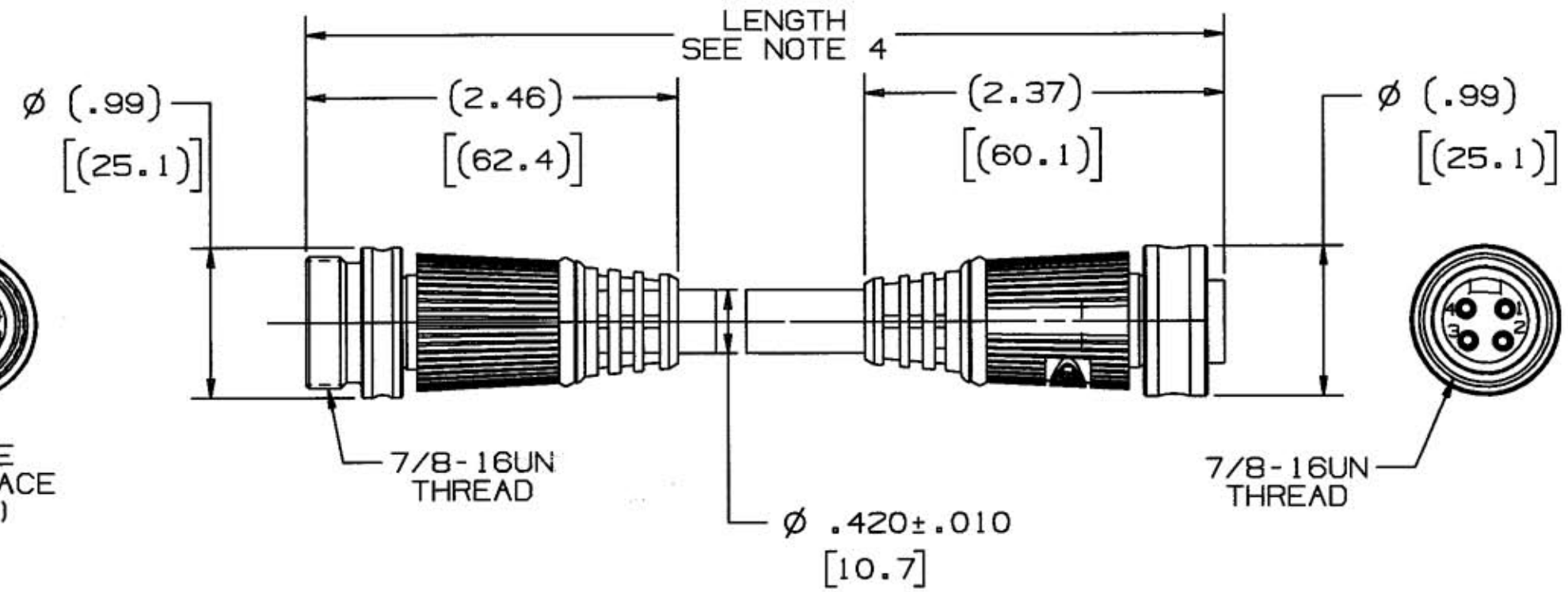
5 POLE
(MALE FACE)
(SHOWN)



6 POLE
(MALE FACE)
(SHOWN)



4 POLE
(MALE FACE)
(SHOWN)



MALE PLUG

FEMALE PLUG

NOTES: (UNLESS OTHERWISE SPECIFIED)

- 1) DIMENSIONS ARE IN INCHES [MM].
- 2) ALL DEVICES ARE 10A. 600VAC.
- 3) ALL DEVICES ARE U.L. LISTED AND ARE NOT FOR CURRENT RUPTURE.
- 4) THE "XXX" IN CATALOG NUMBER DENOTES LENGTH OF WIRE IN FEET. PH1004PE Q 5 Q IS FIFTY FEET LONG.

CATALOG NUMBER	NUMBER OF POLES	POSITION NUMBER	COLOR	CONDUCTOR MARKING
PH1002PEXXX	2	1	BLUE	P1
		2	BLUE	P2
PH1004PEXXX	4	1	BLUE	P1
		2	BLUE	P2
		3	BLUE	P3
		4	BLUE	P4
PH1005PEXXX	5	1	BLUE	P1
		2	BLUE	P2
		3	BLUE	P3
		4	BLUE	P4
		5	BLUE	P5
PH1006PEXXX	6	1	BLUE	P1
		2	BLUE	P2
		3	BLUE	P3
		4	BLUE	P4
		5	BLUE	P5
		6	BLUE	P6

LIST OF PARTS		
DESCRIPTION	MATERIAL	FINISH
COUPLING NUT	BRASS	NICKEL
INSULATOR, SOCKET	NYLON	WHITE
RETAINERS	NYLON	WHITE
O-RING	RUBBER	BLACK
O-RINGS	SILICONE	GREEN
SOCKET CONTACT	COPPER ALLOY	GOLD OVER Pd/Ni
OVERMOLD	POLYURETHANE	GRAY
CABLE	16 AWG PVC	GRAY
PIN CONTACT	BRASS	GOLD OVER Pd/Ni
INSULATOR, PIN	NYLON	WHITE

SYMBOL	REVISIONS	APP	DATE
2	ADDED "SEE TABLE", DUAL DIM.'S, & NOTES 1-3. ADDED "16 AWG" TO TITLE. REMOVED "AMPS" COLUMN FROM TABLE. "LENGTH SEE NOTE 4" WAS "LENGTH SEE NOTE 1" NOTE 4 WAS NOTE 1 PER DCN #12063. JMN	GPH	10/29/04
1	RELEASED PER DCN 11937. MJM GH	GPH	9/15/04

THE DESIGN AND DIMENSIONS OF THE PRODUCT SHOWN ON THIS DRAWING ARE SUBJECT TO CHANGE WITHOUT NOTICE

TITLE
STRAIGHT EXTENSION CABLE
16 AWG TC CABLE

TOLERANCES UNLESS OTHERWISE SPECIFIED	WIRING DEVICE-KELLEMS HUBBELL INCORPORATED BRIDGEPORT, CT	
FRACTIONS ±1/64	DR. BY MJM	APP. BY GPH
DECIMALS ±.005	TR. BY	SCALE NONE
ANGLES ±2°	CHK'D BY GPH	DATE 8/3/04

DIMENSION SHEET FOR CAT. NO. SEE TABLE
 REPAIRABLE NON-REPAIRABLE
 M-9465
 2